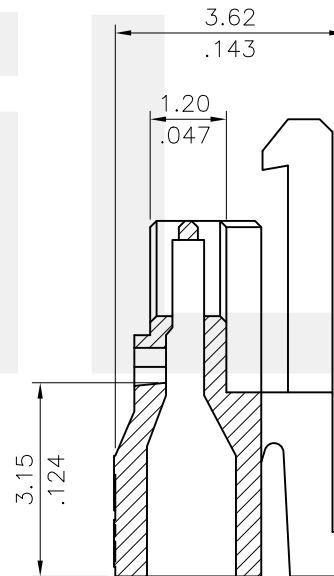
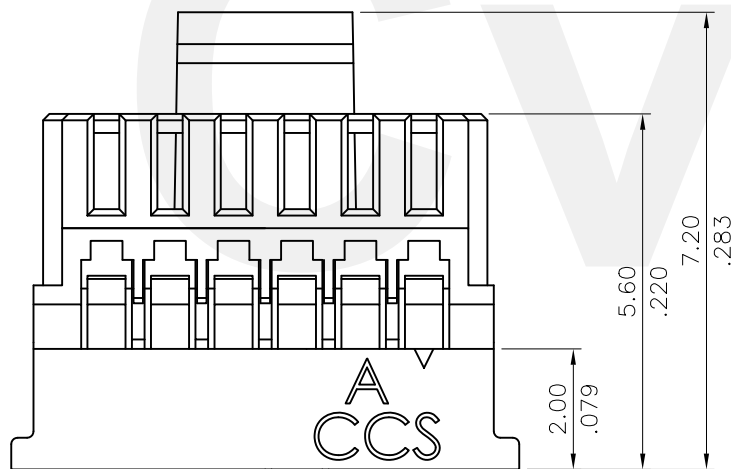


Material:  
 NYLON 66 UL 94V-0,  
 Color Nature

### Ordering Code

$\frac{CI16}{①}$ 
 $\frac{**}{②}$ 
 $\frac{S}{③}$ 
 $\frac{L}{④}$ 
 $\frac{00A}{⑤}$ 
 $\frac{-NH}{⑥}$

- ① Series No.
- ② No. of Circuits: 2~20 Pin
- ③ S= Connector housing
- ④ L= With Locking Latch
- ⑤ Other option:  
00A= TYPE 1
- ⑥ Other option:  
-NH= Halogen-Free



DIM. A = 1.00 x NO. OF SPACES  
 DIM. B = DIM. A + 2.20  
 DIM. C = DIM. A + 1.50  
 \* AVAILABLE IN 2 THROUGH 20

Halogen-Free

RoHS Compliant

CVILUX CORP  
 2013.10.04  
 ISSUED

④					DATE	UNIT: mm / inch	TITLE:	瀚荃股份有限公司 CviLux Corporation	
③				DRAWN BY:	Hank	8/28-13'	TOLERANCE UNLESS OTHERWISE SPECIFIED		C16 SERIES HOUSING
②				ENGINEER:	Eisley	8/29-13'			
①				CHECKED BY:	Eisley	8/29-13'	.XX ± 0.15/.006 .X' ±		DRAWING NO. CI1605SA PART NO. CI16**SL00A-NH
SYM	NAME	DATE	REVISIONS	APPROVED BY:	David	8/30-13'	.XXX ± 0.05/.002 .XX' ±	SCALE 8 / 1 SHEET 1 OF 1	