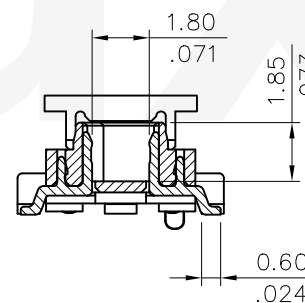
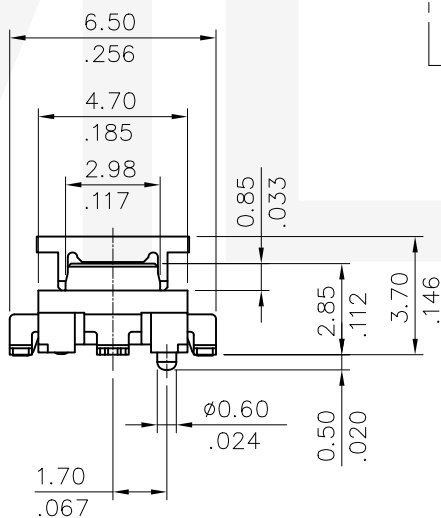
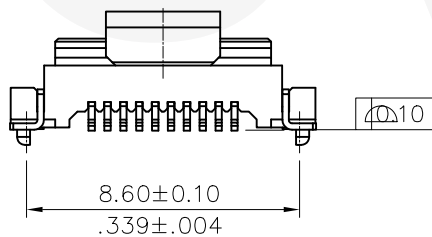


SEC.: X-X



SEC.: Y-Y

Lead Free Process

Halogen-Free

RoHS compliant

4					DATE	UNIT: mm / inch	TITLE: 0.50mm(.020") Board To Board Receptacle Connector
3				DRAWN BY: Clark	4/16-14'	TOLERANCE UNLESS OTHERWISE SPECIFIED	
2				ENGINEER: Clark	4/16-14'	.X ± 0.30/.012 X' ± 1"	
1	Clark	04/16-14	ECNT114067	CHECKED BY: Eisley	4/18-14'	.XX ± 0.20/.008 X' ±	
SYM	NAME	DATE	REVISIONS	APPROVED BY: David	4/18-14'	.XXX ± 0.10/.004 XX' ±	FINISH:

**CIVILUX CORP**  
2014.04.25  
**ISSUED**

瀚荃股份有限公司  
CviLux Corporation

DRAWING NO.	CBRE07SA	PART NO.	CBRE020SB2FP1R1-NH
SCALE	5 / 1	SHEET	1 OF 3

Material:

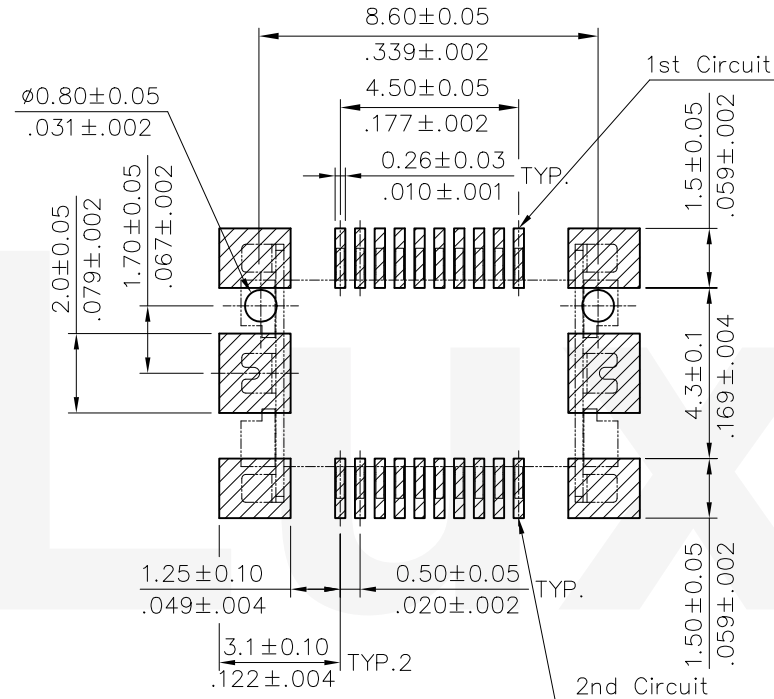
- \* Insulation:  
High Temperature Plastic, UL94V-0  
Color Black
- \* Contact: Phosphor Bronze
- \* Fixed tab: Brass with Gold flash plated  
over 1.27um(50u") Nickel

Ordering Code:

CBRE 020 S B 2 F P1 R 1 -NH


① ② ③ ④ ⑤ ⑥ ⑦ ⑧ ⑨ ⑩

- ① Series No.
- ② No. of Contact: 20 PIN
- ③ Connector Type: S = Receptacle
- ④ Height: B= 2.85mm
- ⑤ Plating code:  
2 = 0.03um(1.2u") Min. Gold Flash  
Plating on Contact area and  
Solder tails, 1.27um(50u") Nickel  
Underplating over all
- ⑥ Fixed Tab Option:  
F = With Fixed Tabs
- ⑦ Pegs Option: P1 = With Pegs
- ⑧ Packing Option: R = Tape & Reel
- ⑨ Other Option: 1 = Color Black
- ⑩ -NH = For Lead Free IR Processes  
and Halogen-Free

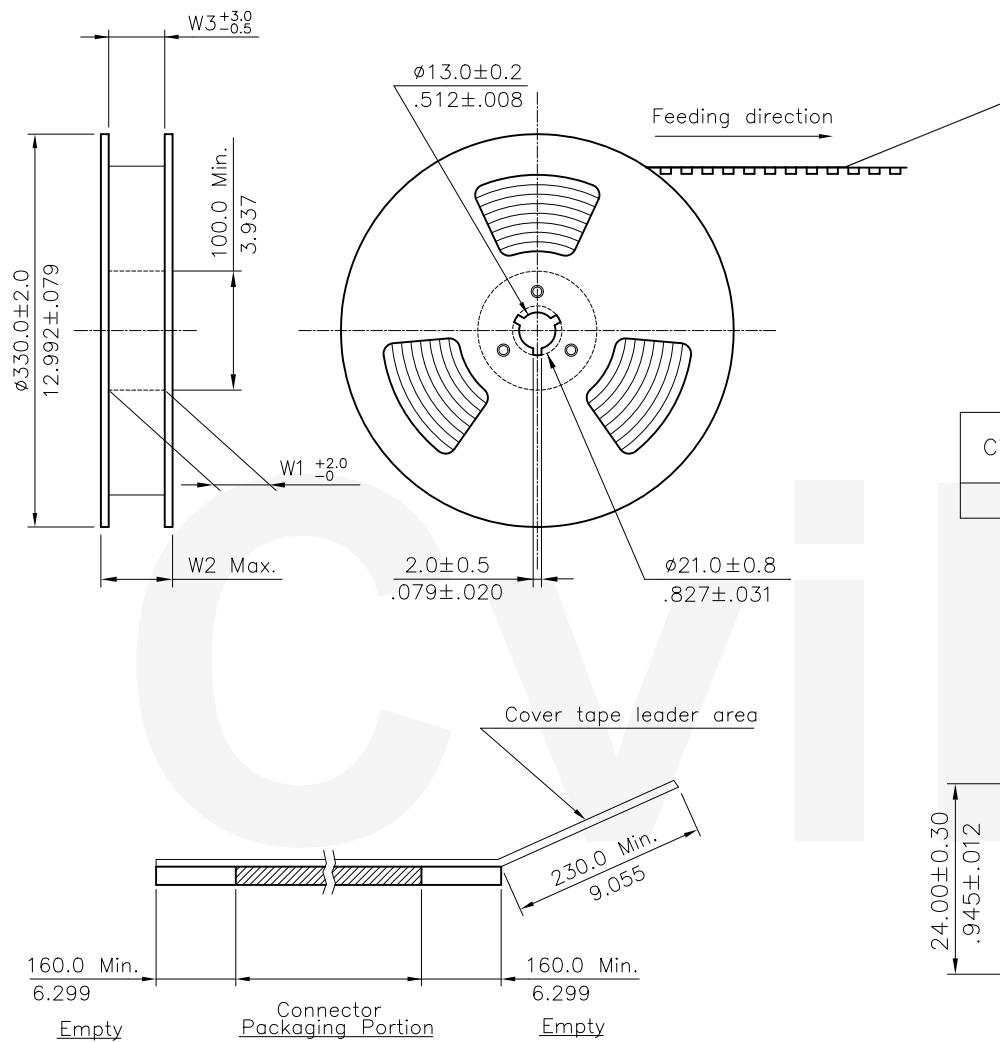


Sold Pad Pattern

Lead Free Process    Halogen-Free    RoHS compliant

4					DATE	UNIT: mm / inch	TITLE: 0.50mm(.020") Board To Board Receptacle Connector	 瀚荃股份有限公司 CviLux Corporation
3				DRAWN BY: Clark	4/16-14'	TOLERANCE UNLESS OTHERWISE SPECIFIED	MATERIAL:	
2				ENGINEER: Clark	4/16-14'	.X ± 0.30/.012    X' ± 1'	FINISH:	DRAWING NO. CBRE07SA    PART NO. CBRE020SB2FP1R1-NH
1	Clark	04/16-14	ECNT114067	CHECKED BY: Eisley	4/18-14'	.XX ± 0.20/.008    .X' ±		SCALE 5 / 1    SHEET 2 OF 3
SYM	NAME	DATE	REVISIONS	APPROVED BY: David	4/18-14'	.XXX ± 0.10/.004    .XX' ±		

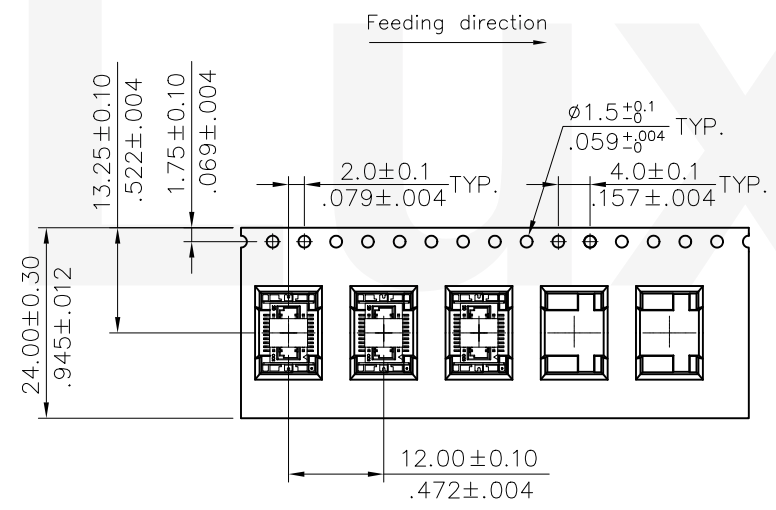




NOTE :


- \* Reel Material : Corrugated Paper
- \* Carrier Material : Black, Conductive Polystyrene Alloy
- \* Cover Tape Material : Polyester
- \* Cover Tape Peel Strength : 0.1N – 1.3N
- \* Carrier camber is within 1mm in 100mm
- \* All dimensions meet EIA-481-2 & EIA-481-3 requirements.
- \* Quantity : 1200 PCS/Reel

Circuits	Dimension			Packing (Reel/Caton)
	W1	W2	W3	
20	24.5(.965)	30.5(1.200)	24.5(.965)	9



WIDTH : 24 mm Carrier

RoHS Compliant

4					DATE	UNIT: mm / inch	TITLE: 0.50mm(.020") Board To Board Receptacle Connector	 瀚荃股份有限公司 CviLux Corporation
3					DRAWN BY: Clark	TOLERANCE UNLESS OTHERWISE SPECIFIED	MATERIAL:	
2					ENGINEER: Clark	.X ±	.X' ± 1'	DRAWING NO. <b>CBRE07SA</b> PART NO. <b>CBRE020SB2FP1R1-NH</b>
1	Clark	04/16-14	ECNT114067		CHECKED BY: Eisley	.XX ±	.X' ±	
SYM	NAME	DATE	REVISIONS		APPROVED BY: David	.XXX ±	.XX' ±	

CVILUX CORP  
 2014.04.25  
 ISSUED