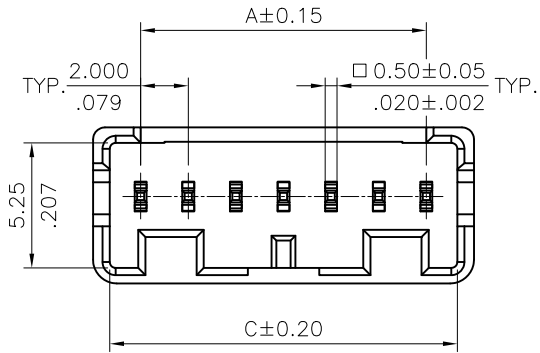
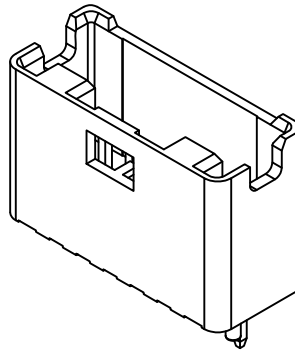


Material
 Insulator: Halogen Free Plastic
 UL 94V-0
 Contact: Copper alloy

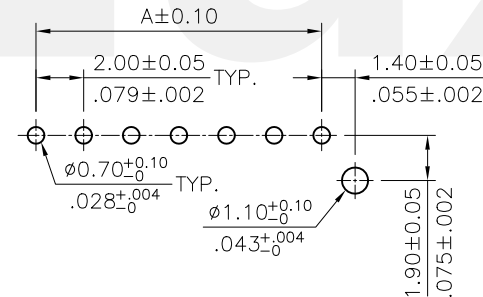
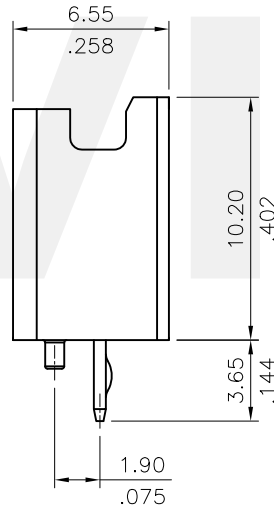
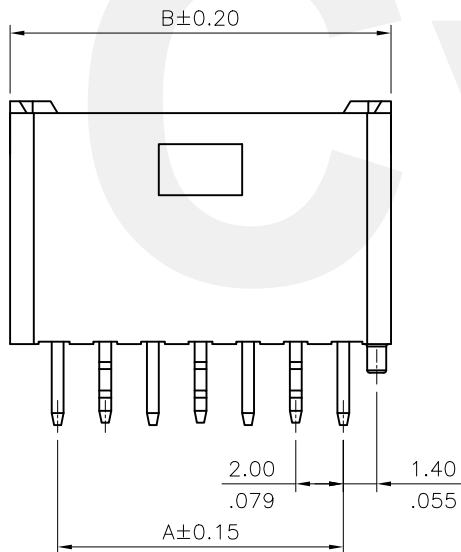
ORDERING CODE

CI09 ** P * V K * -NH
 ① ② ③ ④ ⑤ ⑥ ⑦ ⑧

- ① Series No.
- ② Contact: 02 to 10
- ③ P= DIP header
- ④ Plating :
 1= 3.05μm(120μ") Min. Matte Tin
 over 0.76um(30u") Nickel
- ⑤ Contact type: V= Straight
- ⑥ Option: K= PIN kinked (Standard)
- ⑦ Color: 0= Nature , 3= Red
- ⑧ -NH= For Lead Free IR Processes and Halogen-Free



DIM. A = 2.0 x NO. OF SPACES
 DIM. B = DIM. A + 4.0
 DIM. C = DIM. A + 2.6
 * AVAILABLE IN 2 THROUGH 10



Recommended P.C. Board Layout

Halogen-Free
 Lead Free Process
 RoHS compliant

CIVILUX CORP
2015.03.26
ISSUED

4				DATE	UNIT: mm / inch	TITLE: 2.0mm Pitch WTB Connector	瀚荃股份有限公司 CviLux Corporation
3			DRAWN BY: Hank	3/09-15'	TOLERANCE UNLESS OTHERWISE SPECIFIED	MATERIAL:	
2			ENGINEER: Clark	3/13-15'	.X ± 0.30/.012 X: ± 1'		
1			CHECKED BY: Eisley	3/13-15'	.XX ± 0.20/.008 X: ±	FINISH:	
SYM	NAME	DATE	REVISIONS	APPROVED BY: Eisley	3/13-15'	.XXX ± 0.10/.004 XX: ±	DRAWING NO. CI0901SA PART NO. CI09**P*VKO-NH SCALE 3 / 1 SHEET 1 OF 1