

Material :

- \* Base:  
High Temperature Plastic UL 94V-0  
Color Nature (Halogen-Free)
- \* Contact :  
Phosphor Bronze, With Tin plated
- \* Tab :  
Brass, With Tin plated

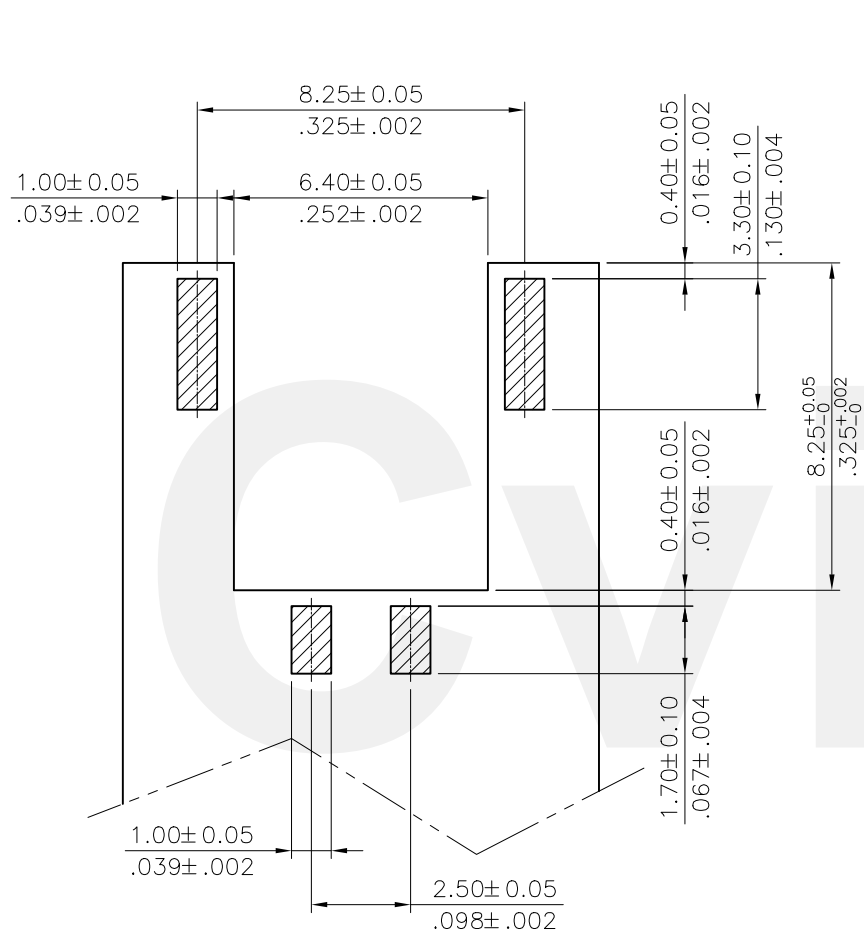
Ordering Code:

CIL4 02 M 1 H R 0 -NH  
① ② ③ ④ ⑤ ⑥ ⑦ ⑧

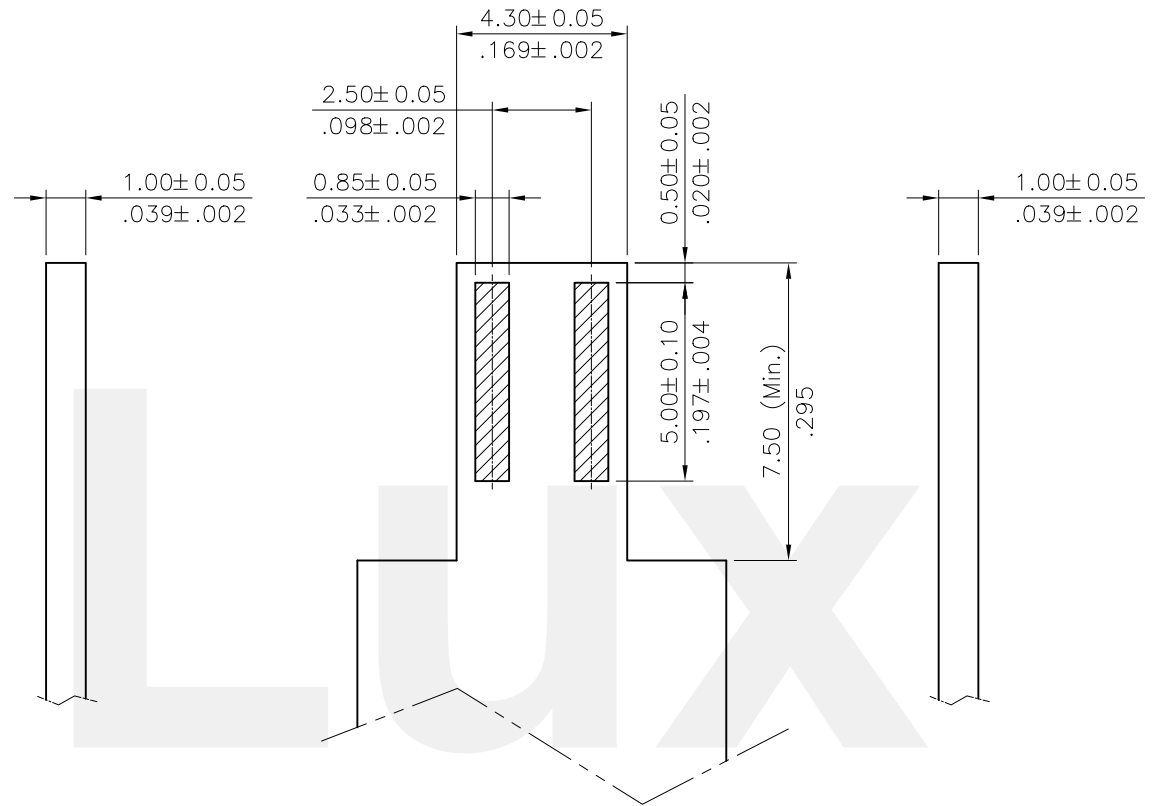
- ① Series No.
- ② No. of Circuits: 02 Pin
- ③ M= SMT Type
- ④ Plating: 1= 3.05um(120u")~4.88um(192u")  
Matte Tin over  
1.27um(50u") Nickel
- ⑤ Type: H= Side Entry
- ⑥ Packing Options: R= Tape & Reel packing
- ⑦ Option: 0= Standard
- ⑧ Other option:  
-NH= For Lead Free IR Processes  
and Halogen-Free

Halogen-Free    Lead Free Process    RoHS compliant

④						DATE	UNIT: mm / inch	TITLE:	 瀚荃股份有限公司 CviLux Corporation	
③			DRAWN BY:		Clark	5/6-15'	TOLERANCE UNLESS OTHERWISE SPECIFIED	MATERIAL:		DRAWING NO. CIL401SA
②			ENGINEER:		Clark	5/6-15'	.X ± 0.30/.012    X' ± r	FINISH:		PART NO. CIL402M1HR0-NH
①	Clark	05/06-15	CHECKED BY:		David	5/8-15'	.XX ± 0.20/.008    .X' ±			SCALE 5 / 1
SYM	NAME	DATE	REVISIONS	APPROVED BY:	David	5/8-15'	.XXX ± 0.10/.004    .XX' ±		SHEET 1 OF 3	



Recommended P.C.B Layout



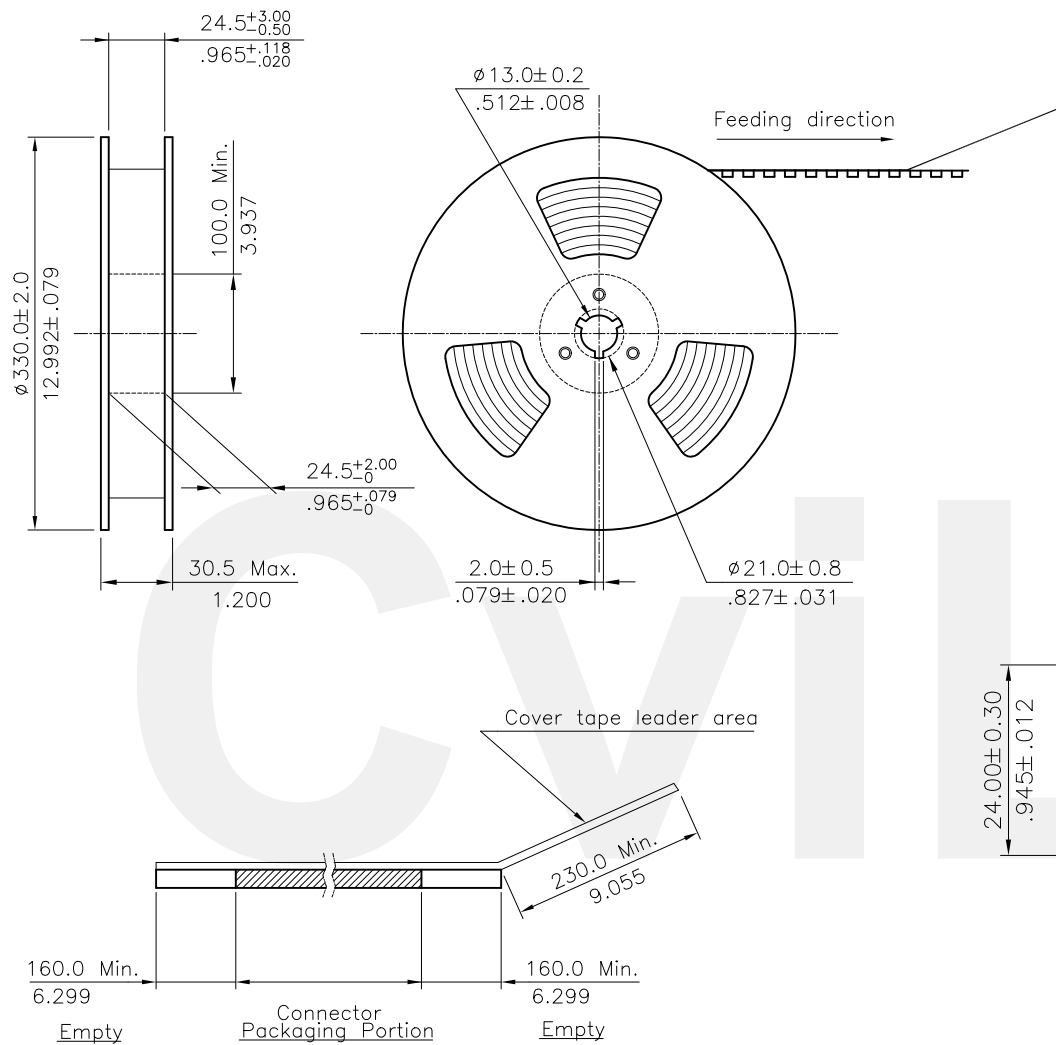
Recommended FR4 Layout

Halogen-Free

Lead Free Process

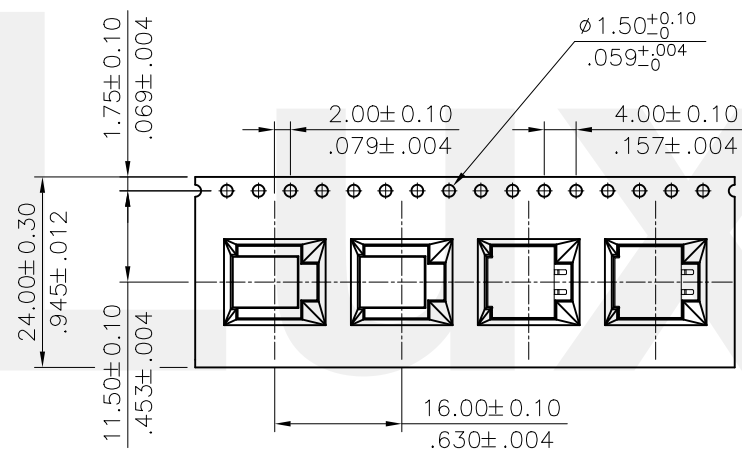
RoHS Compliant

4						DATE	UNIT: mm / inch	TITLE:	 瀚荃股份有限公司 CviLux Corporation	
3			DRAWN BY:		Clark	5/6-15'	TOLERANCE UNLESS OTHERWISE SPECIFIED			CIL4 series connector
2			ENGINEER:		Clark	5/6-15'	.X ± 0.30/.012	.X' ± r		MATERIAL:
1	Clark	05/06-15	ECNT115097		CHECKED BY:	David	5/8-15'	.XX ± 0.20/.008		.X' ±
SYM	NAME	DATE	REVISIONS	APPROVED BY:	David	5/8-15'	.XXX ± 0.10/.004	.XX' ±	DRAWING NO. CIL401SA	PART NO. CIL402M1HRO-NH
									SCALE 5 / 1	SHEET 2 OF 3



NOTE :

- \* Reel Material : Corrugated Paper
- \* Carrier Material : Clear, Conductive Polystyrene Alloy
- \* Cover Tape Material : Polyester
- \* Cover Tape Peel Strength : 0.1N – 1.3N
- \* Carrier camber is within 1mm in 100mm
- \* All dimensions meet EIA-481-2 & EIA-481-3 requirements.
- \* Quantity : 900 PCS/Reel
- \* Packing : 9 Reel/Carton



WIDTH : 24 mm Carrier

RoHS Compliant

4						DATE	UNIT: mm / inch	TITLE:	 瀚荃股份有限公司 CviLux Corporation		
3			DRAWN BY: Clark		5/6-15'	TOLERANCE UNLESS OTHERWISE SPECIFIED		MATERIAL:			
2			ENGINEER: Clark		5/6-15'	.X ±	X' ± 1'	FINISH:			
1	Clark	05/06-15	ECNT115097		CHECKED BY: David	5/8-15'	.XX ±			.X ±	
SYM	NAME	DATE	REVISIONS	APPROVED BY: David	5/8-15'	.XXX ±	.XX ±	SCALE	DRAWING NO. CIL401SA	PART NO. CIL402M1HR0-NH	SHEET 3 OF 3