

Material :

- \* Base: Heat Resistance Plastic, UL 94V-0, Color Nature
- \* Cover: Heat Resistance Plastic, UL 94V-0, Color Black
- \* Contact: Phosphor Bronze
- \* Fixed tab: Brass with  $2.54\mu\text{m}(100\mu'')$  Matte Tin Plated over  $1.27\mu\text{m}(50\mu'')$  Nickel

## Ordering Code

CF50 \*\* \* D 0 R\* -05 -NH  
 ① ② ③ ④ ⑤ ⑥ ⑦ ⑧

① Series No.

② No. of Circuits:

③ Plating code:

1 =  $2.50\mu\text{m}(100\mu'')$  Min. Matte Tin Plating on Contact area and Solderails,  $1.27\mu\text{m}(50\mu'')$  Nickel Underplating over all  
 F =  $0.02\mu\text{m}(0.8\mu'')$  Min. Gold Flash Plating on Contact area and Solderails,  $1.27\mu\text{m}(50\mu'')$  Nickel Underplating over all

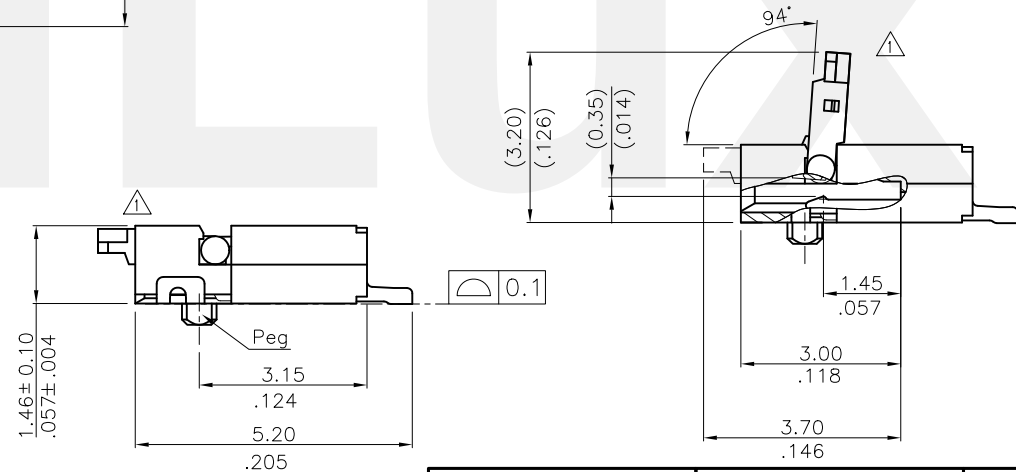
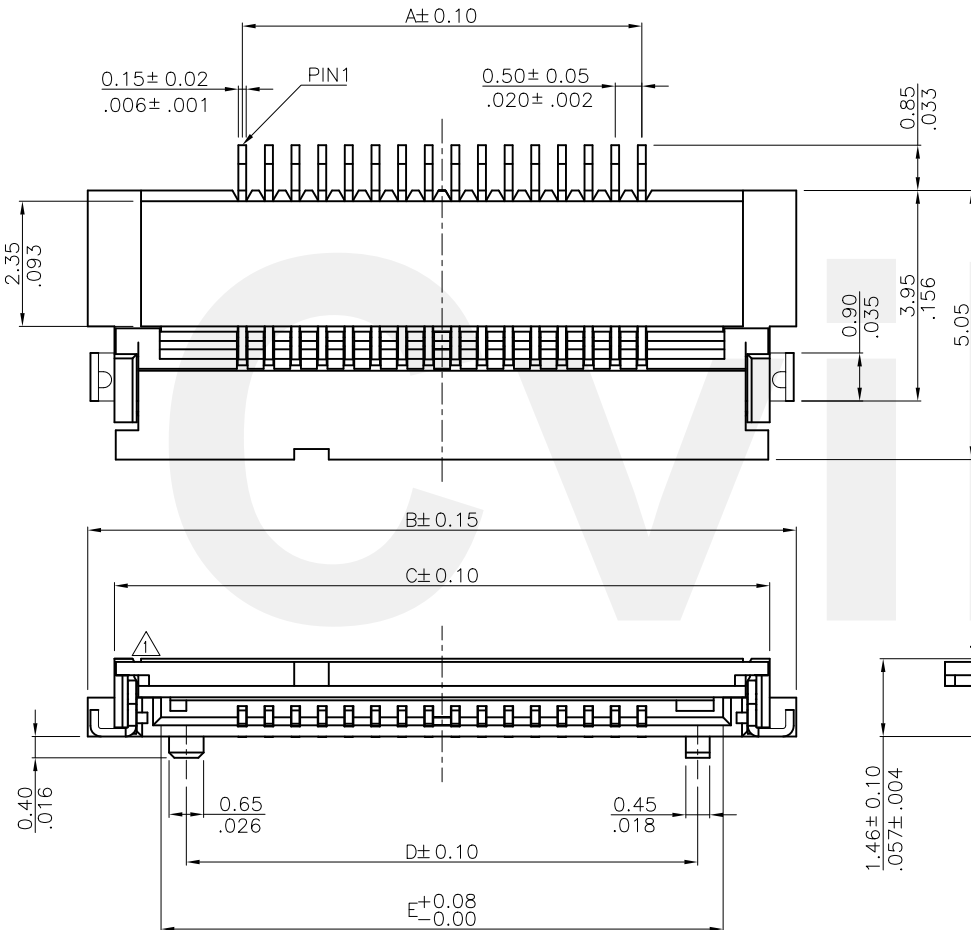
④ Contact style: D = Downside contact

⑤ 0 = Color Nature

⑥ Packing: RE = Tape & Reel packing  
 RD = Without Pegs

⑦ -05 = 0.5 Pitch

⑧ -NH = For Lead Free IR Processed and Halogen Free



Halogen-Free    Lead Free Process    RoHS Compliant

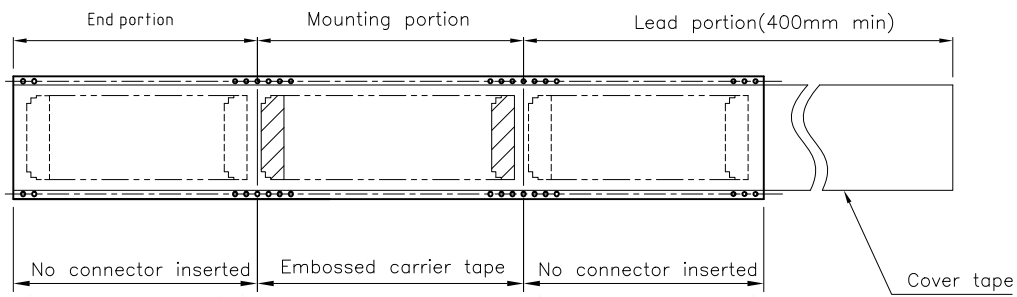
④					DATE	UNIT: mm / inch	TITLE: 0.50mm(.020") ZIF FFC/FPC ONE-TOUCH CONNECTOR
③					2/7-17'	TOLERANCE UNLESS OTHERWISE SPECIFIED	
②					2/8-17'	.X ± 0.25/.010    X: ±	MATERIAL:
①	Ken	2/7-17'	ECNT117032/EGRH117002	CHECKED BY: Eisley	2/14-17'	.XX ± 0.15/.006    X: ± 1'	FINISH:
SYM	NAME	DATE	REVISIONS	APPROVED BY: Eisley	2/14-17'	.XXX ±    XX ±	

**CVILUX CORP**  
**2017.02.16**  
**ISSUED**

**瀚荃股份有限公司**  
**CviLux Corporation**

DRAWING NO.	CF5011SB	PART NO.	CF50***DOR*-05-NH
SCALE	10 / 1	SHEET	1 OF 3



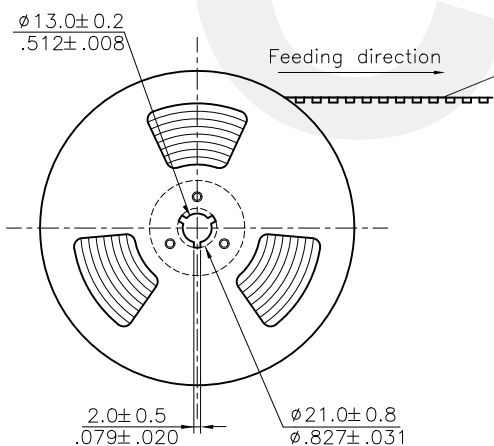
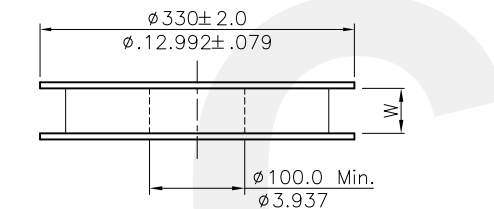


TAPE RUNNING DIRECTION

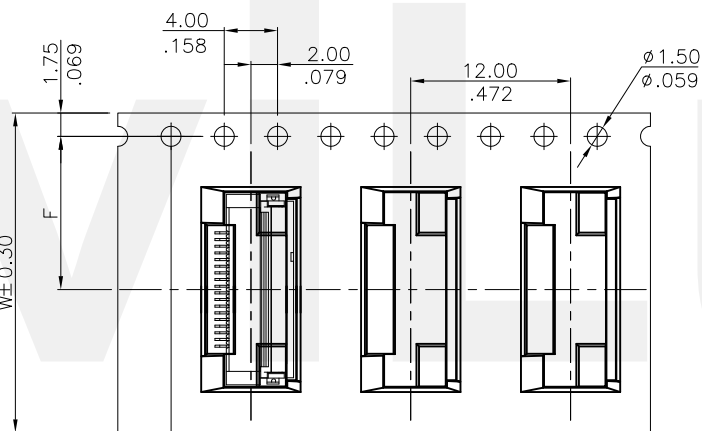
Notes:

1. 10 sprocket hole pitch cumulative tolerance  $\pm 0.2$
2. Material: Polystyrene.
3. Quantity: 2000 Pcs/Reel

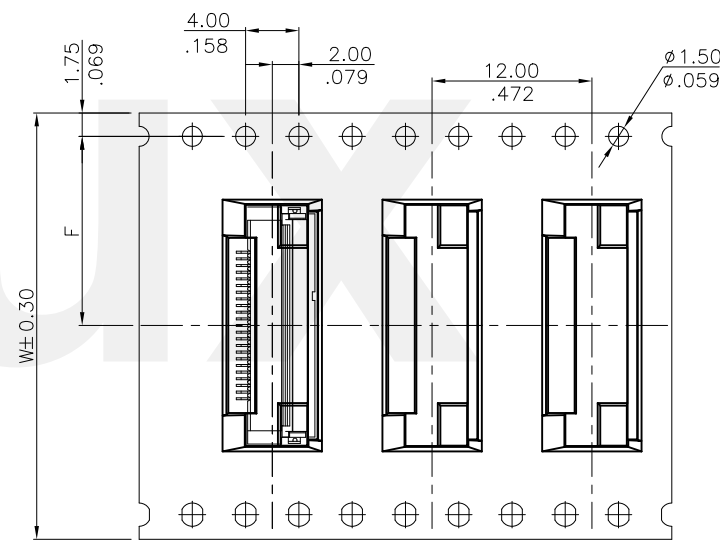
Circuits	Dimension		Packing (Reel/Caton)
	W	F	
6-24	24.0(.945)	14.20(.559)	9
25-32	32.0(1.260)	14.20(.559)	7
36	44.0(1.732)	20.20(.795)	5



REEL DIMENSIONS



WIDTH : 24 mm Carrier



WIDTH : 32,44,56 mm Carrier

RoHS Compliant

4					DATE	UNIT: mm / inch	TITLE: 0.50mm(.020") ZIF FFC/FPC ONE-TOUCH CONNECTOR	 瀚荃股份有限公司 CviLux Corporation
3					DRAWN BY: Ken	TOLERANCE UNLESS OTHERWISE SPECIFIED	MATERIAL:	
2					ENGINEER: Sun	.X $\pm$ 0.25/.010 X' $\pm$	FINISH:	DRAWING NO. CF5011SB
1	Ken	2/7-17'	ECNT117032/ECRH117002		CHECKED BY: Eisley	.XX $\pm$ 0.15/.006 X' $\pm$ 1'		PART NO. CF50***DOR*-05-NH
SYM	NAME	DATE	REVISIONS		APPROVED BY: Eisley	.XXX $\pm$		SCALE 10 / 1
								SHEET 3 OF 3

**CVILUX CORP**  
2017.02.16  
ISSUED