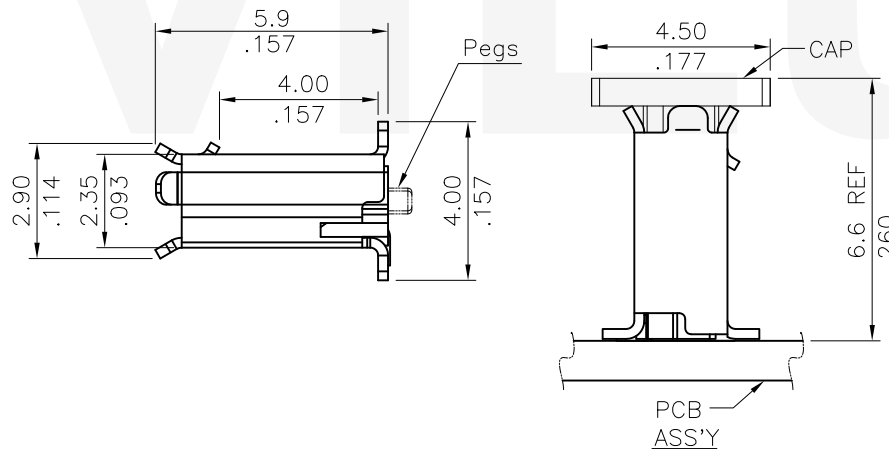
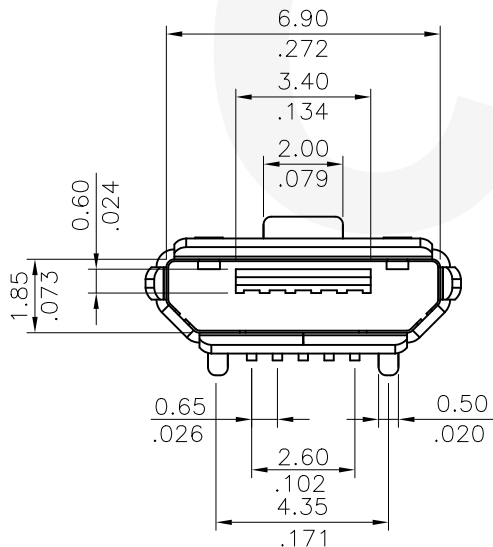


Recommended P.C. Board Layout



Notes :

- * Insulation: LCP UL 94V-0
- * CAP: LCP UL 94V-0, Color Black
- * Contacts: Phosphor Bronze
- * Shell: Stainless steel With Matte Tin plating
- * For Lead-Free IR Reflow process

Ordering Code:

CU09 S E V 1 5 B 0 -R*
 ① ② ③ ④ ⑤ ⑥ ⑦ ⑧ ⑨

- ① Series No.
- ② S= Socket
- ③ Plating option:
 E= 10u" Gold plated on contact area,
 Gold Flashplated on Solder tails,
 Nickel Underplating over all
- ④ Tail style: V= Straight SMT Type
- ⑤ Insulator Color: 1= Black
- ⑥ No of Circuits: 5= 5 Pin
- ⑦ Type: B= Micro USB 5 Pin Type-B
- ⑧ Option: 0= With Pegs (Standard)
 N= Without Pegs
- ⑨ Packing Option:
 -R0= Reel Packing
 -RN= Reel Packing Without CAP

Lead Free Process

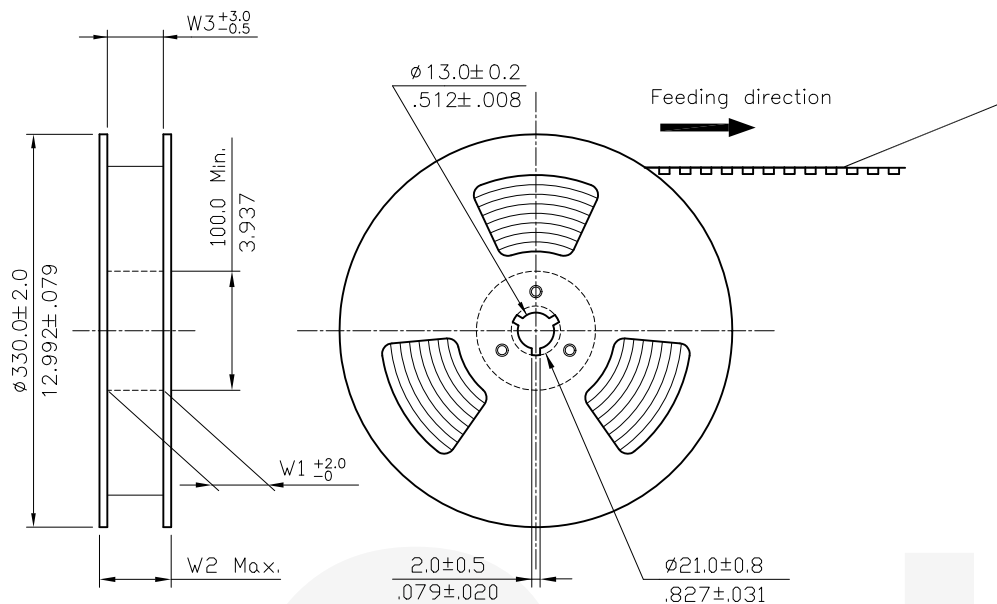
RoHS compliant

④						DATE	UNIT: mm / inch	TITLE: MICRO USB 5 PIN SMT BOARD MOUNT CONNECTOR (B TYPE)
③					DRAWN BY: Sandy	9/5-16'	TOLERANCE UNLESS OTHERWISE SPECIFIED	
②					ENGINEER: Sun	9/5-16'	.X ± 0.30/.012	X' ± 3'
①					CHECKED BY: Eisley	9/8-16'	.XX ± 0.20/.008	.X' ±
SYM	NAME	DATE	REVISIONS		APPROVED BY: Eisely	9/8-16'	.XXX ± 0.10/.004	.XX' ±



瀚荃股份有限公司
 CviLux Corporation

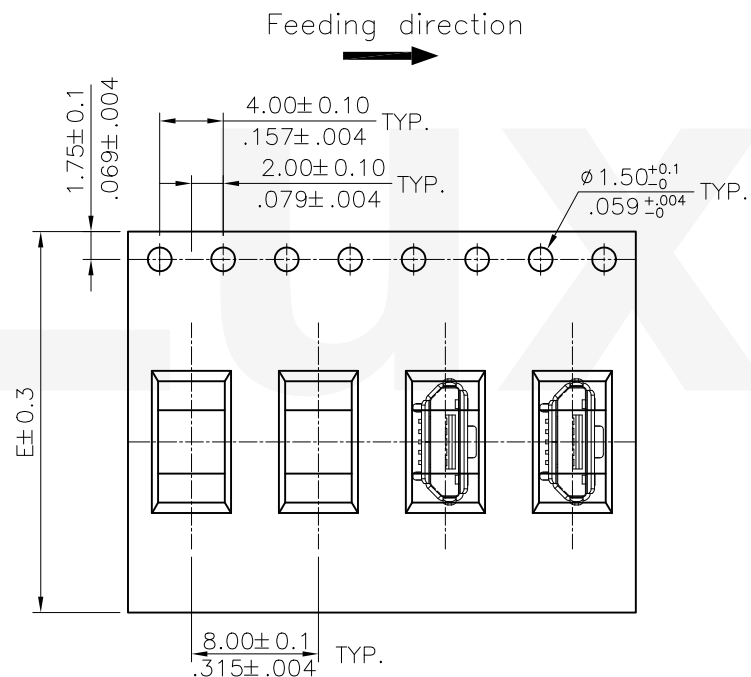
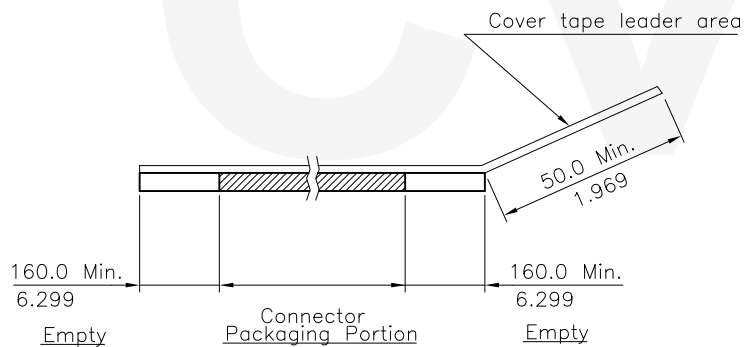
DRAWING NO.	CU0932SA	PART NO.	CU09SEV15B*-R*
SCALE	5 / 1	SHEET	1 OF 2



NOTE :

- * Reel Material : HIPS
- * Carrier Material : Conductive Polystyrene Alloy
- * Cover Tape Material : Polyester
- * Cover Tape Peel Strength : 0.1N – 1.3N
- * Carrier camber is within 1mm in 250mm
- * All dimensions meet EIA-481-D requirements.
- * Quantity : 1100 PCS/Reel


Dimension				Packing (Reel/Cartron)
E	W1	W2	W3	
24.0(.945)	24.5(.965)	30.5(1.201)	24.5(.965)	10



WIDTH : 24 mm Carrier

RoHS Compliant

CVILUX CORP
2016.09.22
ISSUED

SYM	NAME	DATE	REVISIONS	APPROVED BY:	DATE	UNIT: mm / inch	TITLE: MICRO USB 5 PIN SMT BOARD MOUNT CONNECTOR (B TYPE)	 瀚荃股份有限公司 CviLux Corporation			
4											
3				DRAWN BY:	Sandy	9/5-16'	TOLERANCE UNLESS OTHERWISE SPECIFIED				
2				ENGINEER:	Sun	9/5-16'					
1				CHECKED BY:	Eisley	9/8-16'	.X ±	X' ±	MATERIAL:	DRAWING NO. CU0932SA	PART NO. CU09SEV15B*-R*
				APPROVED BY:	Eisely	9/8-16'	.XX ±	.X ±	FINISH:	SCALE	SHEET 2 OF 2
							.XXX ±	.XX ±			