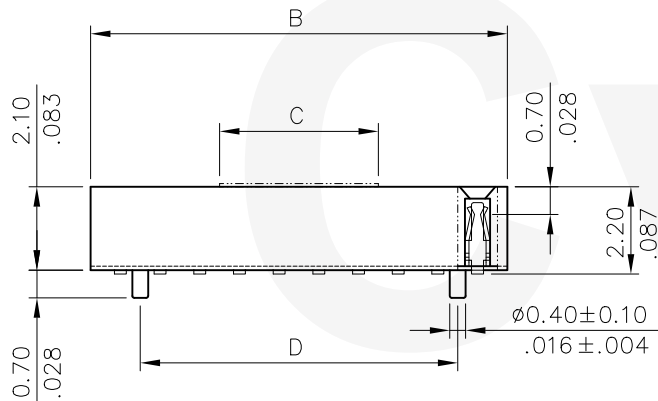
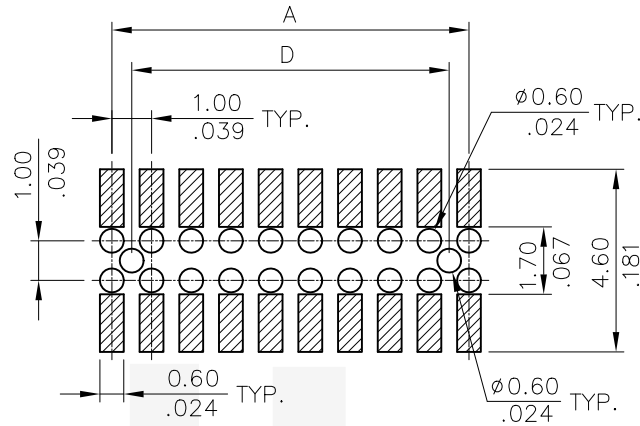
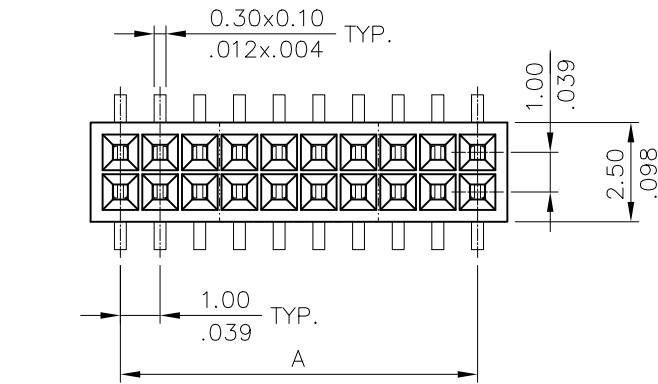
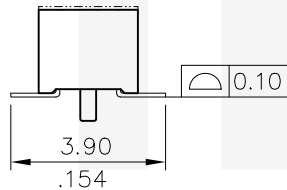


Notes:

- * Insulator: LCP UL 94V-0 Color Black
- * Contact: Phosphor Bronze
- * For Lead-Free IR Reflow process



Recommended P.C. Board Layout



Ordering Code:

CB12 ** * M 1 00 - R M
 ① ② ③ ④ ⑤ ⑥ ⑦ ⑧


- ① Series No.
- ② No. of Contact: 06 to X1(100)
- ③ Plating code:
 2= Gold flash plated over 1.27μm(50μ") Nickel
 8= 0.25um(10u") plated over 1.27μm(50μ") Nickel
- ④ Tail Style: M = SMT Type
- ⑤ Insulator Color: 1 = Black
- ⑥ Other option:
- ⑦ Packing option:
 R= REEL Packing
- ⑧ M= With Mylar & Without Pegs
 N= With Mylar & With Pegs

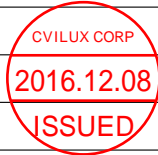
DIM. A = 1.00 X No. of Spaces
 DIM. B = DIM. A + 1.50
 DIM. D = DIM. A - 1.00
 * Available in 6 through 100 Circuits

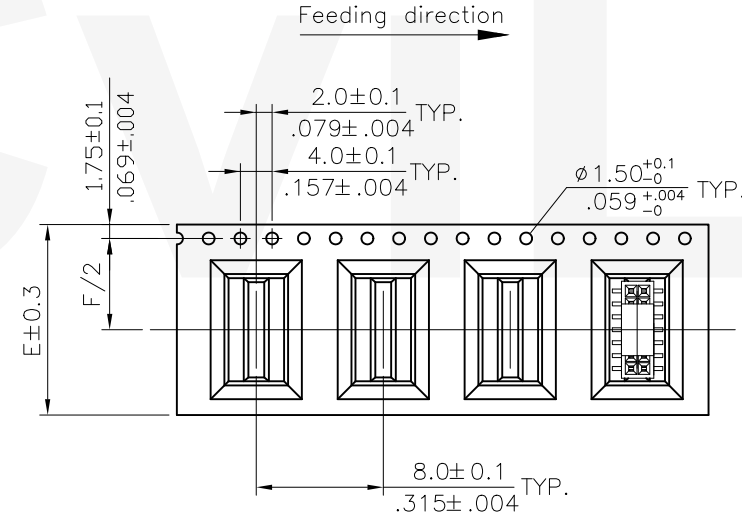
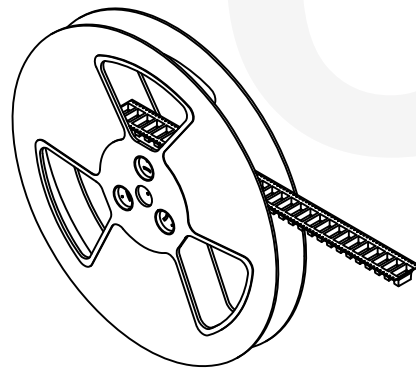
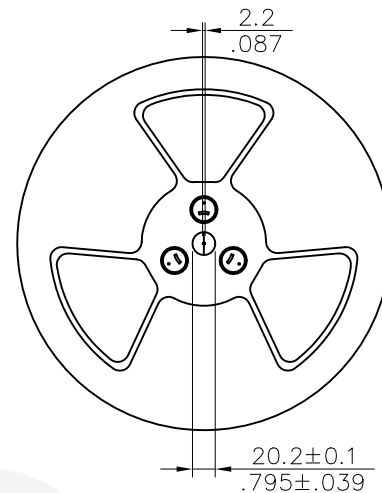
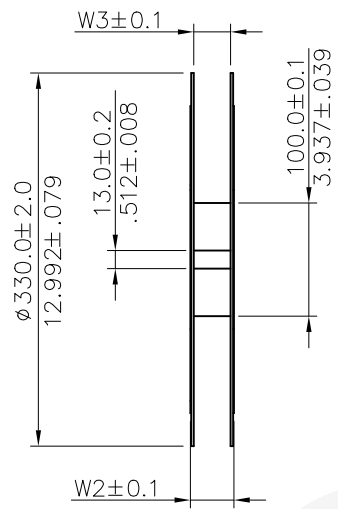
| Circuits | DIM.C |
|----------|----------------|
| 6~8 | 2.2*2.2*0.08t |
| 10~20 | 2.5*5.5*0.08t |
| 22~100 | 2.5*10.0*0.08t |

Lead Free Process

RoHS Compliant

| | | | | | | | | | |
|-----|------|------|-----------|---------------------|-----------|---|---|--|-------------------------|
| 4 | | | | | DATE | UNIT: mm / inch | TITLE: PITCH 1.00mm(.039") SMT TYPE SOCKET |  瀚荃股份有限公司 CviLux Corporation | |
| 3 | | | | DRAWN BY: Sandy | 11/28-16' | TOLERANCE UNLESS OTHERWISE SPECIFIED | MATERIAL: | | |
| 2 | | | | ENGINEER: Sun | 11/28-16' | .X ± 0.30/.012 X' ± 1" | | | |
| 1 | | | | CHECKED BY: Easley | 12/01-16' | .XX ± 0.20/.008 .X ± | FINISH: | | |
| SYM | NAME | DATE | REVISIONS | APPROVED BY: Easley | 12/01-16' | .XXX ± 0.10/.004 .XX ± | | DRAWING NO. CB1203SA | PART NO. CB12***M100-R* |
| | | | | | | | | SCALE 5 / 1 | SHEET 1 OF 2 |

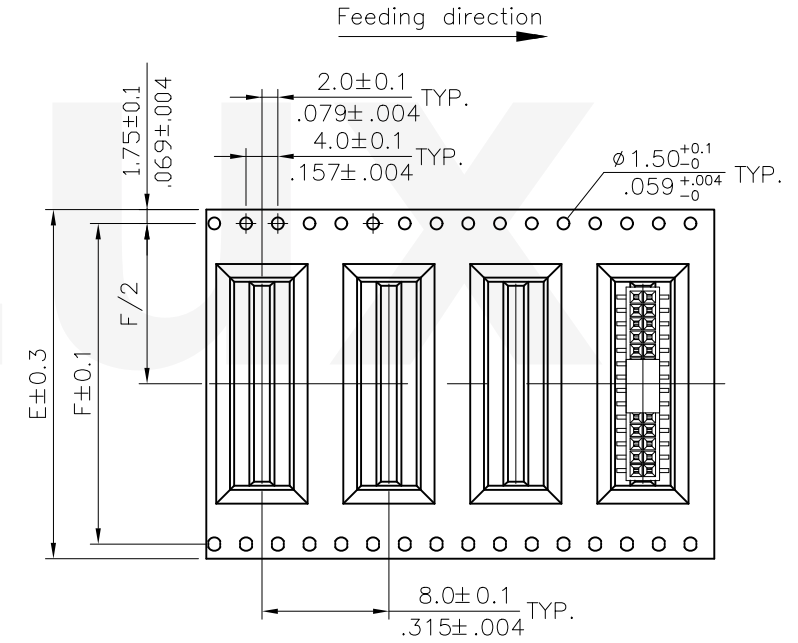




WIDTH : 12, 16, 24 mm Carrier

- NOTE:
- 10 sprocket hole pitch cumulative tolerance ± 0.2
 - Carrier camber is 1mm in 100mm
 - All dimensions meet EIA-481-2 requirements
 - Quantity : 2500 PCS/Reel

| Circuits | Dimension | | | |
|----------|-------------|--------------|-------------|-------------|
| | E | F | W2 | W3 |
| 6-8 | 12.0(0.472) | 1.10(.043) | 17.1(.673) | 12.5(.482) |
| 10-16 | 16.0(0.630) | 15.00(.591) | 21.1(.831) | 17.0(.669) |
| 18-30 | 24.0(0.944) | 23.00(0.906) | 29.1(1.146) | 24.5(0.965) |
| 32-46 | 32.0(1.260) | 28.40(1.118) | 37.0(1.457) | 32.5(1.280) |
| 46-66 | 44.0(1.732) | 40.40(1.591) | 49.1(1.933) | 44.5(1.752) |
| 68-78 | 56.0(2.205) | 52.40(2.063) | 61.1(2.406) | 56.5(2.224) |
| 80-100 | 72.0(2.835) | 68.40(2.693) | 77.1(3.035) | 72.5(2.854) |



WIDTH : 32, 44, 56, 72, mm Carrier

| | | | | | | | | | | |
|---|-----|------|------|-----------|---------------------|-----------|--------------------------------------|--|------------------------------------|--|
| 4 | | | | | | DATE | UNIT: mm / inch | TITLE: PITCH 1.00mm(.039") SMT TYPE SOCKET | 瀚荃股份有限公司 CviLux Corporation | |
| 3 | | | | | DRAWN BY: Sandy | 11/28-16' | TOLERANCE UNLESS OTHERWISE SPECIFIED | MATERIAL: | | DRAWING NO. CB1203SA PART NO. CB12***M100-R* |
| 2 | | | | | ENGINEER: Sun | 11/28-16' | | | | |
| 1 | | | | | CHECKED BY: Eisley | 12/01-16' | .XX ± .X ± | FINISH: | | SCALE |
| | SYM | NAME | DATE | REVISIONS | APPROVED BY: Eisley | 12/01-16' | .XXX ± .XX ± | | | |

