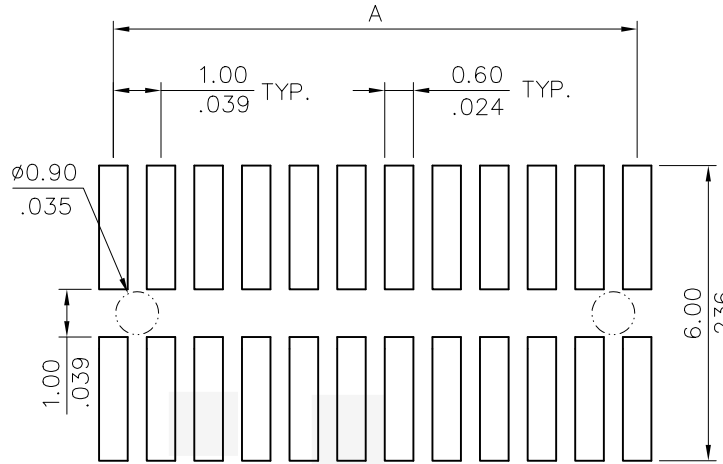
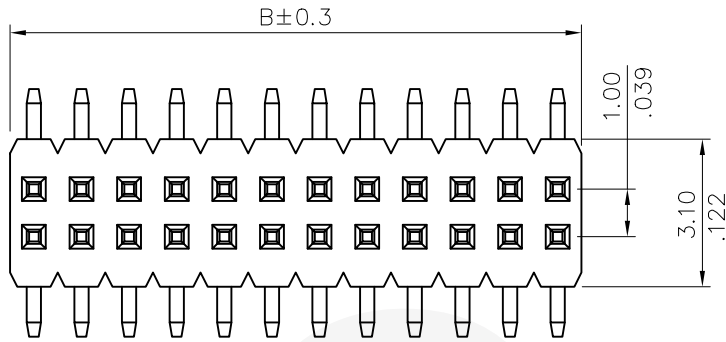
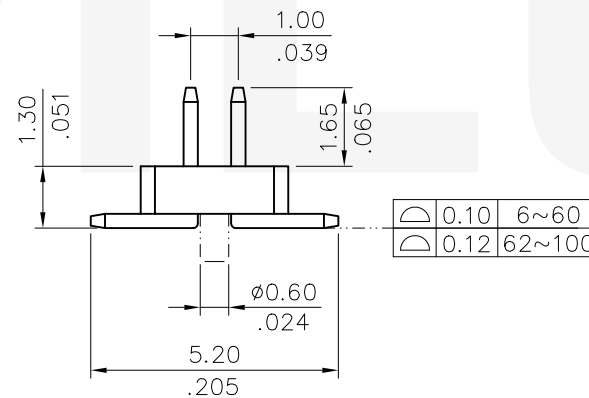
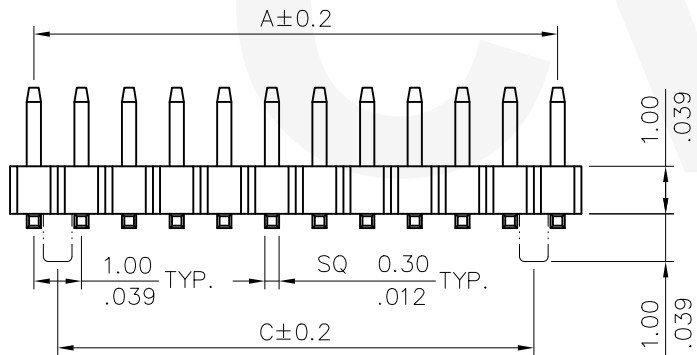


* Material:

Insulator: LCP UL 94V-0, Color Black
 Square Pin: Phosphor Bronze
 For Lead-Free IR Reflow process



Recommended P.C. Board Layout



Ordering Code:

CH16 ** 2 M 1 00 - * 0
 ① ② ③ ④ ⑤ ⑥ ⑦ ⑧

- ① Series No.
- ② No. of Contact: 06 to 100 (X1=100)
- ③ Plating code:
2=Gold Flash plated over Nickel
- ④ Tail & Mounting Style:
M=Straight SMT Type
- ⑤ Insulator Material & Color:
1= Color Black
- ⑥ Pin Length Option Code:
- ⑦ Pin Size:
0= Without Pegs
P= With Pegs
- ⑧ 0=Without Pick & Place Pad
(Tube packaged)

DIM. A = 1.00 X No. of Spaces

DIM. B = DIM. A + 1.0


DIM. C = DIM. A - 1.0

* Available in 6 through 100 Circuits

Halogen-Free

Lead Free Process

RoHS Compliant

4					DATE	UNIT: mm / inch	TITLE: 1.00mm(.039") DUAL ROW SURFACE BOARD MOUNT PIN HEADER	 瀚荃股份有限公司 CviLux Corporation
3				DRAWN BY: Sandy	7/14-17'	TOLERANCE UNLESS OTHERWISE SPECIFIED	MATERIAL:	
2				ENGINEER: Sun	7/14-17'	.X ± 0.30/.012 X: ± 1'	FINISH:	
1				CHECKED BY: Eisley	7/31-17'	.XX ± 0.20/.008 .X ±	DRAWING NO. CH1601SA PART NO. CH16**2M100-*0	
SYM	NAME	DATE	REVISIONS	APPROVED BY: Eisley	7/31-17'	.XXX ± 0.10/.004 .XX ±	SCALE 6 / 1 SHEET 1 OF 1	

