

Notes:

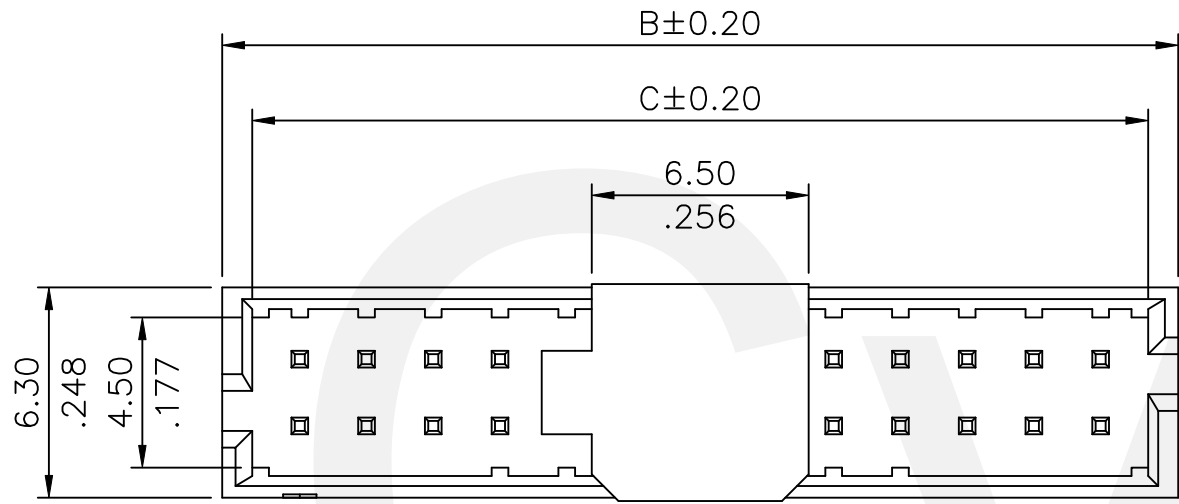
- * Insulation: High Temperature Plastic, UL 94V-0
- * Contact: Copper Alloy
- * For Lead Free IR Reflow Process

$A = 2.00 * \text{No. of Spaces}$
 $B = A + 4.65$
 $C = A + 2.85$
 $D = A - 2.00$
 $E = A + 2.60$
 $F = A - 4.00$

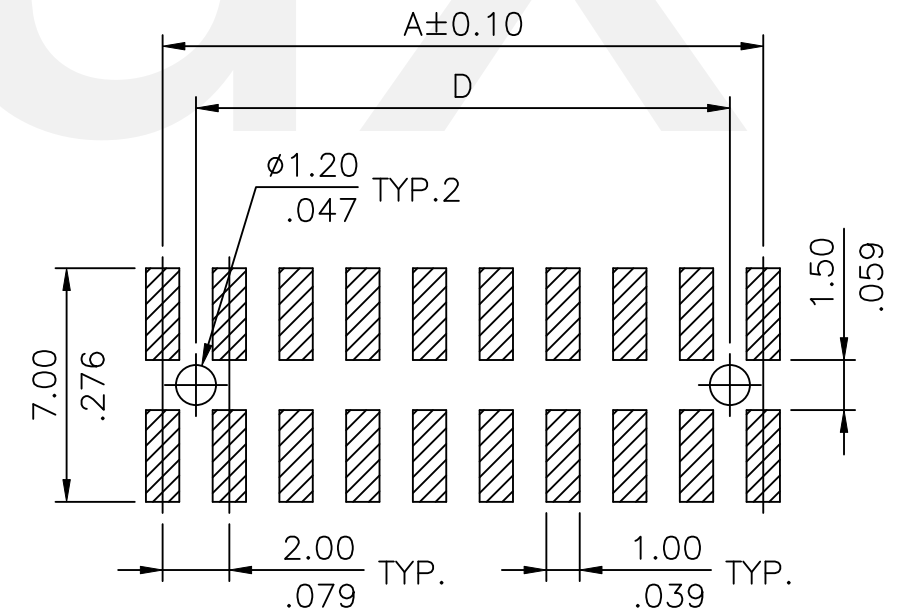
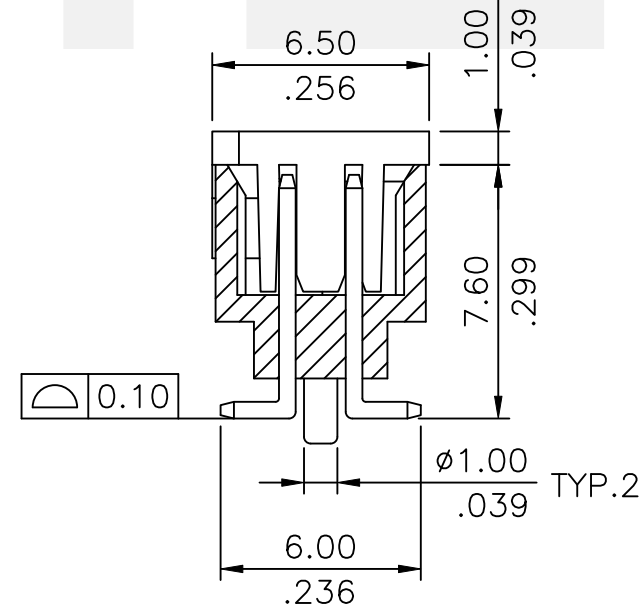
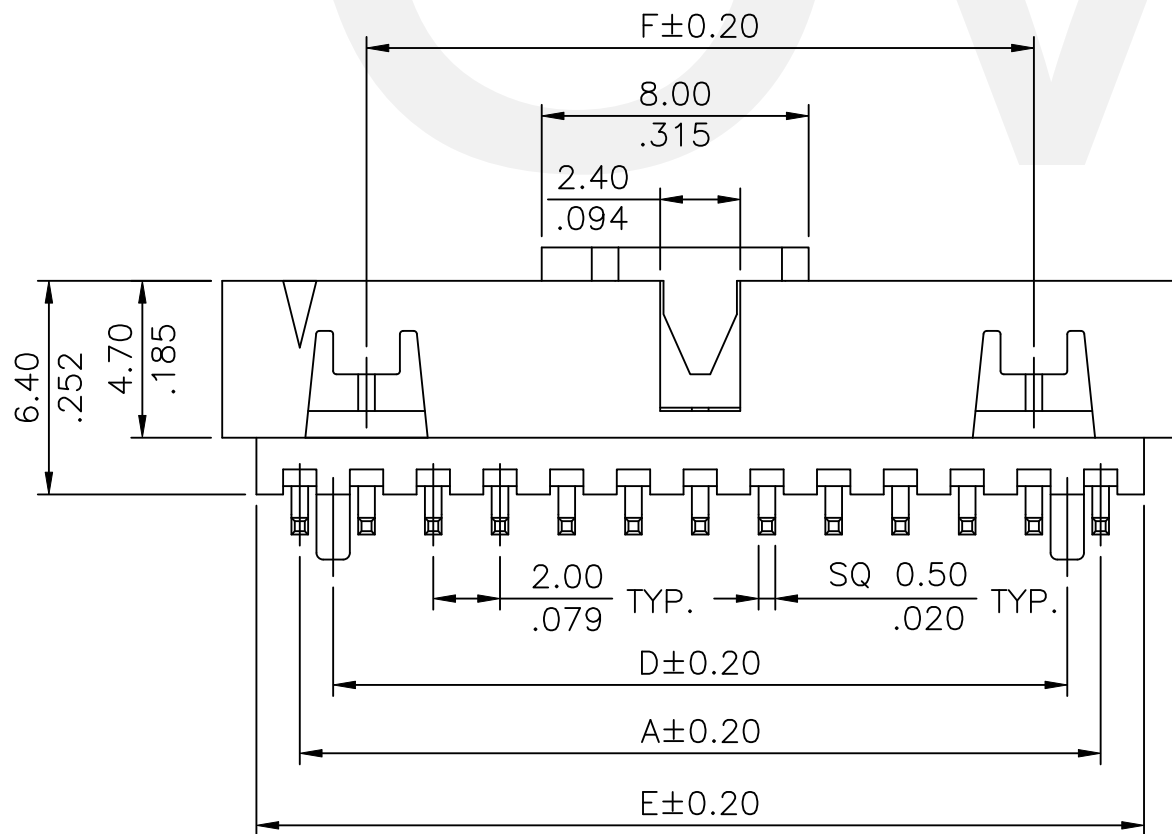
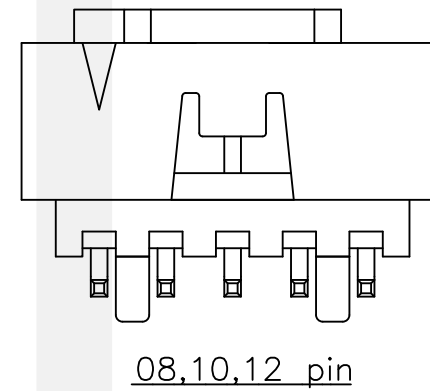
Ordering Code:

$\frac{\text{CH79}}{\text{①}} \frac{\text{**}}{\text{②}} \frac{\text{*}}{\text{③}} \frac{\text{M}}{\text{④}} \frac{\text{1}}{\text{⑤}} \frac{\text{C*}}{\text{⑥}}$

- ① Series No.
- ② No. of contacts
- ③ Plating option: \triangle
 2= Gold flash plated over Nickel
 B= Selective $0.38\mu\text{m}(15\mu\text{'})$ gold plated over $1.27\mu\text{m}(50\mu\text{'})$ Nickel
- ④ Tail style: M= Straight SMT TYPE
- ⑤ Color: 1= Black
- ⑥ Option:
 C0= With Pegs(Standard)
 CP= Without Peg



* Available in 8 through 50 Circuits



Recommended P.C. Board Layout

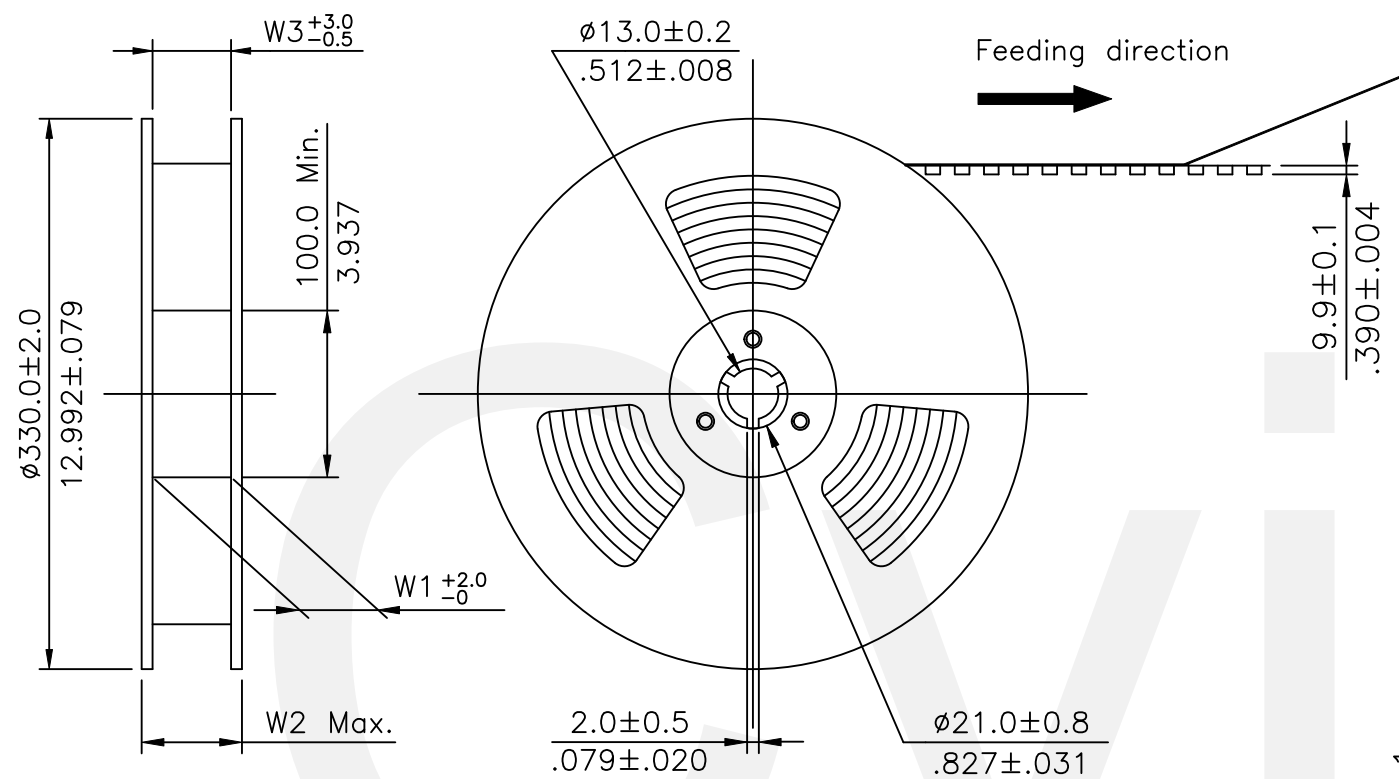
Halogen-Free Lead Free Process RoHS Compliant

④					DATE	UNIT: mm / inch	TITLE: 2.00MM(.079") STRAIGHT DUAL ROW BOX PIN HEADER	瀚荃股份有限公司 CviLux Corporation			
③					DATE	TOLERANCE UNLESS OTHERWISE SPECIFIED	MATERIAL:				
②					DATE	.X ± 0.30/.012 X* ± 2'	CUSTOMER:	DRAWING NO.	CH7906SB	PART NO.	CH79***M1C*
①	Jack	12/1-23'	ECNT123244/ECRT123072		DATE	.XX ± 0.20/.008 X* ± 1'	TCF0344	SCALE	3 / 1	SHEET	1 OF 2
SYM	NAME	DATE	REVISIONS		DATE	.XXX ± 0.10/.004 .XX* ±					

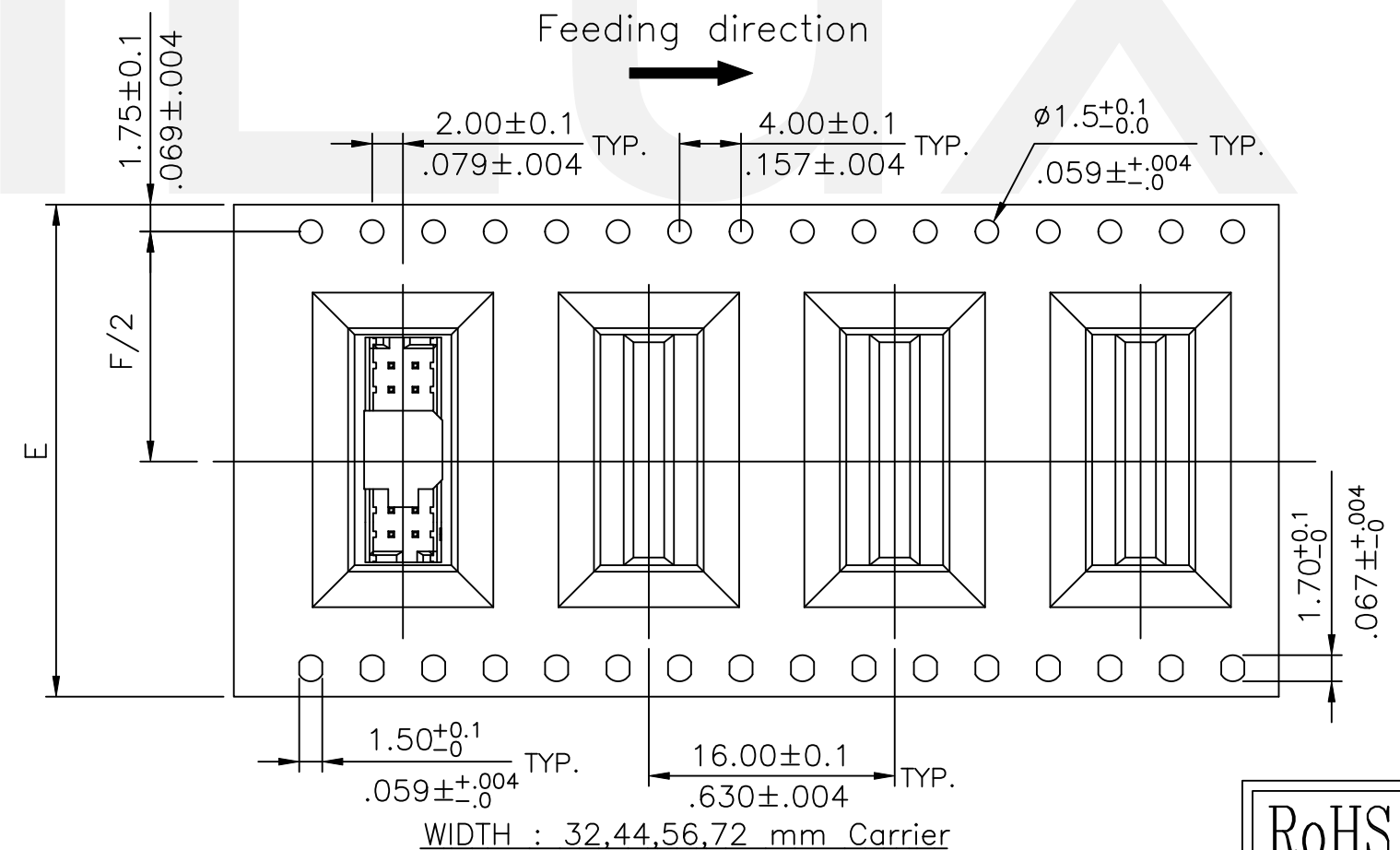
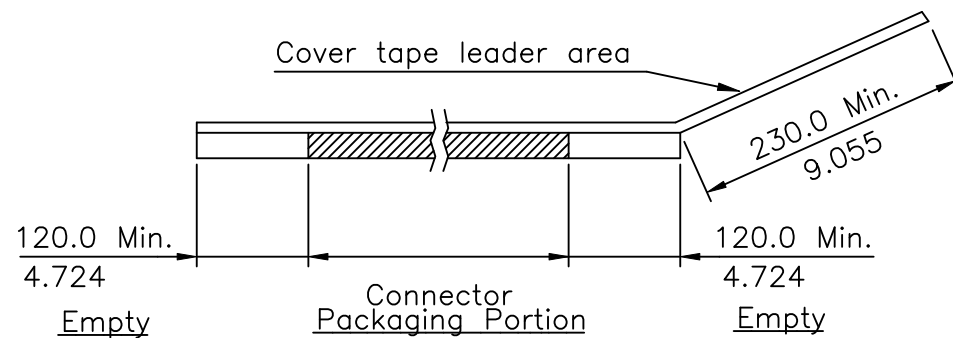
CviLux Corp
 2023/12/19
 ISSUED

NOTE :

- ① * Reel Material : HIPS
- * 10 sprocket hole pitch cumulative tolerance ± 0.2
- * Carrier Material : Clear, Conductive Polystyrene Alloy
- * Cover Tape Material : Polyester
- * Cover Tape Peel Strength : 0.1N – 1.3N
- * Carrier camber is within 1mm in 100mm
- * All dimensions meet EIA-481 requirements.
- * Quantity : 400 PCS/Reel




Circuits	Dimension				
	E	F	W1	W2	W3
8-16	32.0(1.260)	28.4(1.118)	32.5(1.280)	37.0(1.457)	32.5(1.280)
18-30	44.0(1.732)	40.4(1.591)	44.5(1.752)	49.1(1.933)	44.5(1.752)
32-40	56.0(2.205)	52.4(2.063)	56.5(2.224)	61.1(2.406)	56.5(2.224)
42-50	72.0(2.835)	68.4(2.693)	72.5(2.854)	77.1(3.035)	72.5(2.854)



WIDTH : 32,44,56,72 mm Carrier

RoHS Compliant

④					DATE	UNIT: mm / inch	TITLE: 2.00MM(.079") STRAIGHT DUAL ROW BOX PIN HEADER	 瀚荃股份有限公司 CviLux Corporation
③					DRAWN BY: Jack	12/1-23'	MATERIAL:	
②					ENGINEER: Sun	12/1-23'	CUSTOMER: TCF0344	DRAWING NO. CH7906SB
①	Jack	12/1-23'	ECNT123244/ECRT123072		CHECKED BY: Eisley	12/1-23'		PART NO. CH79****M1C*
SYM	NAME	DATE	REVISIONS		APPROVED BY: Eisley	12/1-23'		SHEET 2 OF 2

CviLux Corp
 2023/12/19
 ISSUED