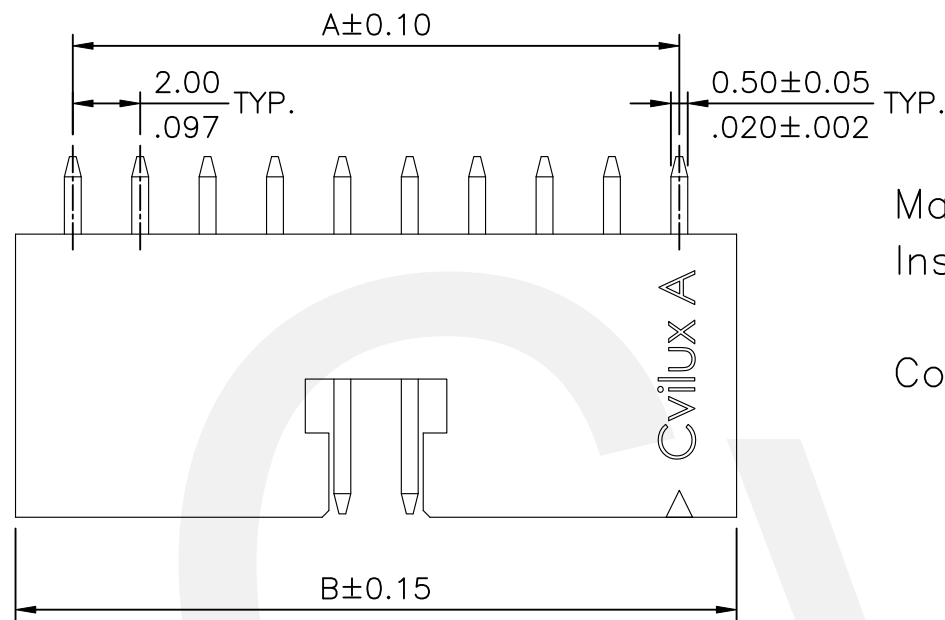


ORDERING CODE

CI08 ** M * H R * -NH
 ① ② ③ ④ ⑤ ⑥ ⑦ ⑧

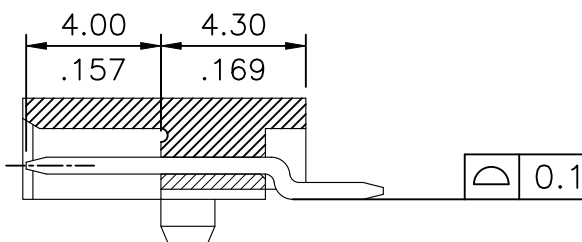
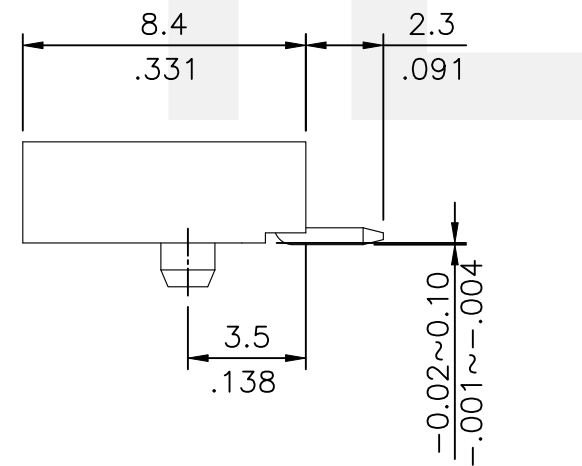
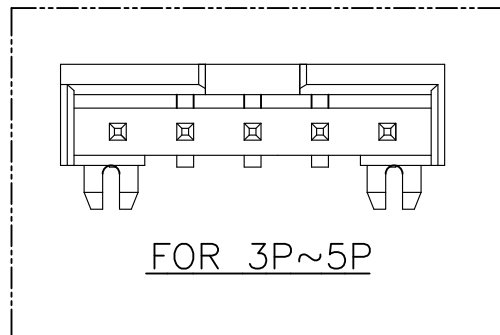
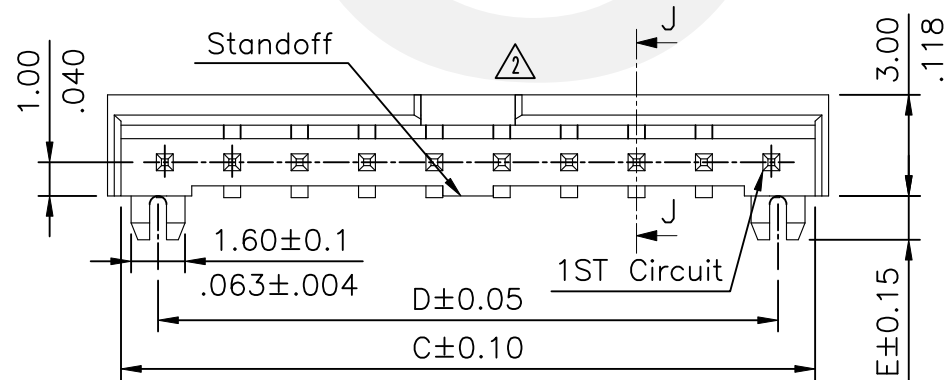
- ① Series No.
- ② Contact: 03 to 17
- ③ M= SMT Type
- ⚠️④ Plating :
 1= Matte Tin Plating over Nickel
 2= Gold Flash Plating over Nickel
- ⑤ Contact type: H= Side entry
- ⑥ Packing option:
 R= Tape & Reel Packing
- ⑦ Other option:
 0= DIM.E= 0.9 , 1=DIM.E=1.3
- ⑧ -NH= For Lead Free IR Processes and Halogen-Free



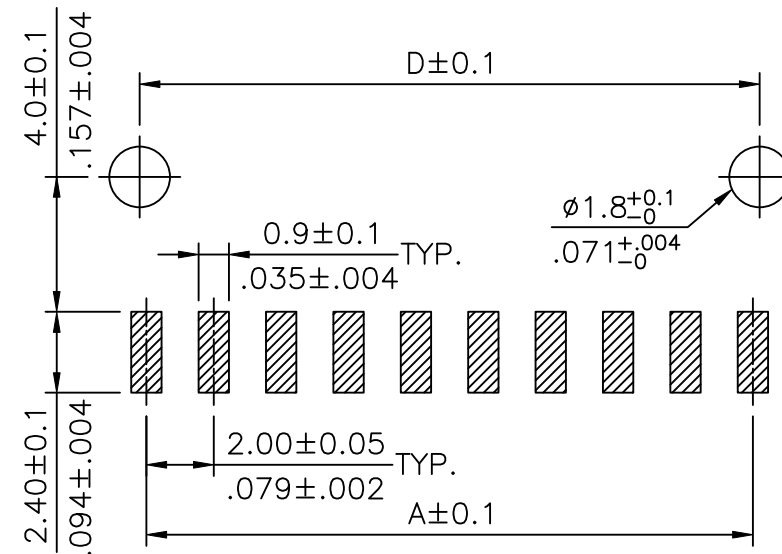
Material
 Insulator: Halogen Free Plastic
 UL 94V-0 Color Black
 Contact: Brass

DIM. A = 2.00 x NO. OF SPACES
 DIM. B = DIM. A + 3.4
 DIM. C = DIM. A + 2.6
 DIM. D = DIM. A + 0.4

* AVAILABLE IN 3 THROUGH 17



SEC.: J-J




Recommended P.C. Board Layout

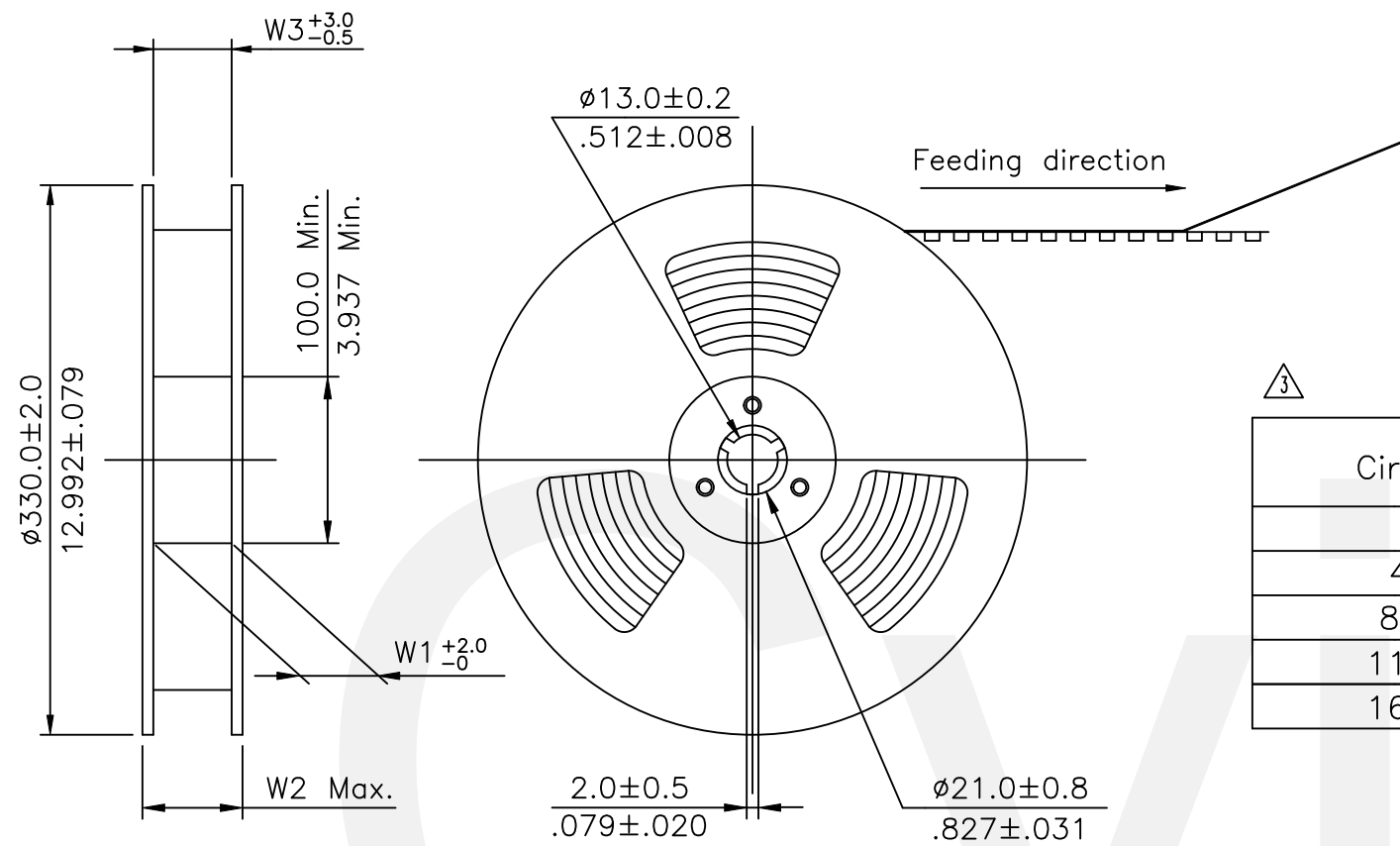
Halogen-Free

Lead Free Process

RoHS Compliant

| | | | | | | | | |
|-----|-------|-----------|-----------------------|---------------------|-----------|---|--|--|
| ④ | Amy | 11/15-23 | ECNT123179/ECRB123029 | | DATE | UNIT: mm / inch | TITLE: 2.0mm Pitch WTB SMT R/A TYPE |  瀚荃股份有限公司 CviLux Corporation |
| ③ | Ken | 3/15-17' | ECNT117064 | DRAWN BY: Amy | 11/15-23' | TOLERANCE UNLESS OTHERWISE SPECIFIED | MATERIAL: | |
| ② | Sun | 5/05-16' | ECRH116020/ECNT116089 | ENGINEER: Sun | 11/15-23' | .X ± 0.30/.012 X* ± 1' | FINISH: | DRAWING NO. CI0801SE |
| ① | Karen | 12/25-14' | ECNT114252/ECRT114090 | CHECKED BY: Eisley | 11/15-23' | .XX ± 0.20/.008 X* ± | | PART NO. CI08**M*HR*-NH |
| SYM | NAME | DATE | REVISIONS | APPROVED BY: Eisley | 11/15-23' | .XXX ± 0.10/.004 XX* ± | | SHEET 1 OF 2 |

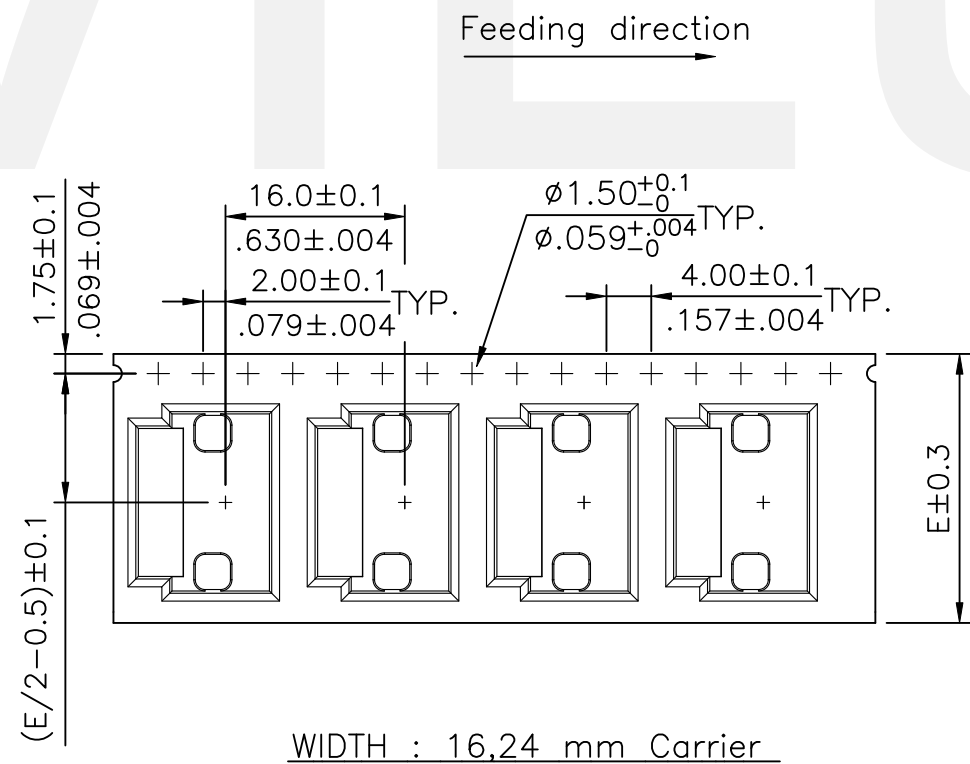
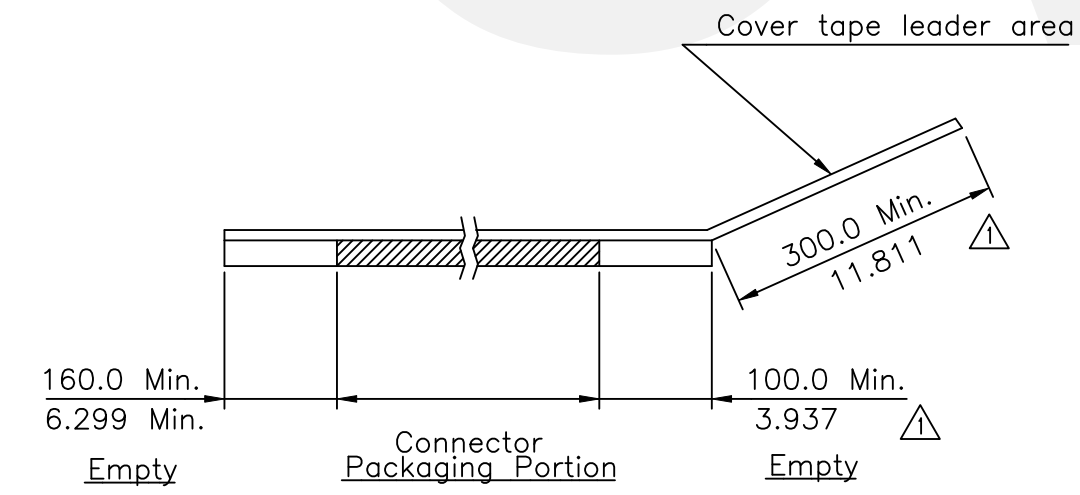
CviLux Corp
 2023/11/27
 ISSUED



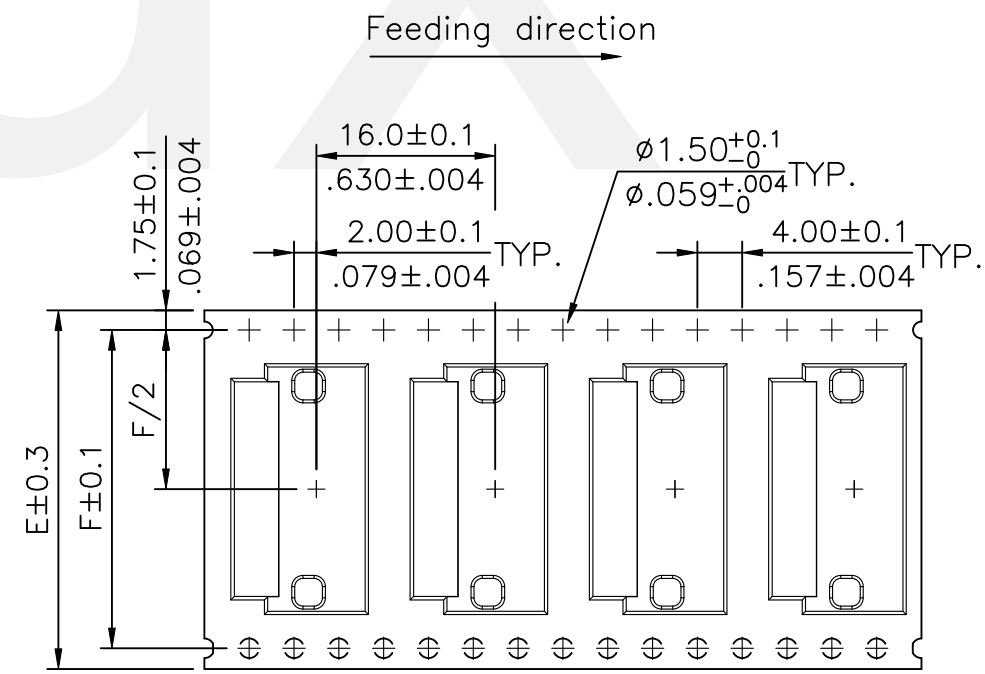
NOTES:

1. Reel Material : HIPS
2. 10 sprocket hole pitch cumulative tolerance ± 0.20
3. Carrier camber is within 1 mm in 250 mm.
4. Material :Transparent Anti-static Polysyrene.
5. All dimensions meet EIA-481 requirements.
6. Thickness : 0.35 ± 0.05 mm.
7. Quantity : 800 PCS/Reel

| Circuits | Dimension | | | | | Packing (Reel/Carton) |
|----------|-------------|-------------|-------------|-------------|-------------|-----------------------|
| | E | F | W1 | W2 | W3 | |
| 3 | 16.0(.630) | — | 16.5(.650) | 22.5(.885) | 16.5(.650) | 9 |
| 4~7 | 24.0(.945) | — | 24.5(.965) | 30.5(1.200) | 24.5(.965) | 8 |
| 8~10 | 32.0(1.260) | 28.4(1.118) | 32.5(1.280) | 38.5(1.516) | 32.5(1.280) | 6 |
| 11~15 | 44.0(1.732) | 40.4(1.596) | 44.5(1.752) | 50.5(1.988) | 44.5(1.752) | 5 |
| 16~17 | 56.0(2.205) | 52.4(2.063) | 56.5(2.224) | 62.5(2.461) | 56.5(2.224) | 4 |




WIDTH : 16,24 mm Carrier



WIDTH : 32,44,56 mm Carrier

RoHS Compliant

| | | | | | | | | | |
|-----|-------|----------|-----------------------|---------------------|----------|--------------------------------------|-------------------------------------|--|--------------|
| 4 | Amy | 11/15-23 | ECNT123179/ECRB123029 | | DATE | UNIT: mm / inch | TITLE: 2.0mm Pitch WTB SMT R/A TYPE |  瀚荃股份有限公司 CviLux Corporation | |
| 3 | Ken | 3/15-17 | ECNT117064 | DRAWN BY: Amy | 11/15-23 | TOLERANCE UNLESS OTHERWISE SPECIFIED | MATERIAL: | | |
| 2 | Sun | 5/05-16 | ECRH116020/ECNT116089 | ENGINEER: Sun | 11/15-23 | .X ± X' ± 1' | FINISH: | | |
| 1 | Karen | 12/25-14 | ECNT114252/ECRT114090 | CHECKED BY: Eisley | 11/15-23 | .XX ± X' ± | DRAWING NO. CI0801SE | | |
| SYM | NAME | DATE | REVISIONS | APPROVED BY: Eisley | 11/15-23 | .XXX ± XX' ± | PART NO. CI08**M*HR*-NH | | |
| | | | | | | | | SCALE | SHEET 2 OF 2 |

CviLux Corp
 2023/11/27
 ISSUED