

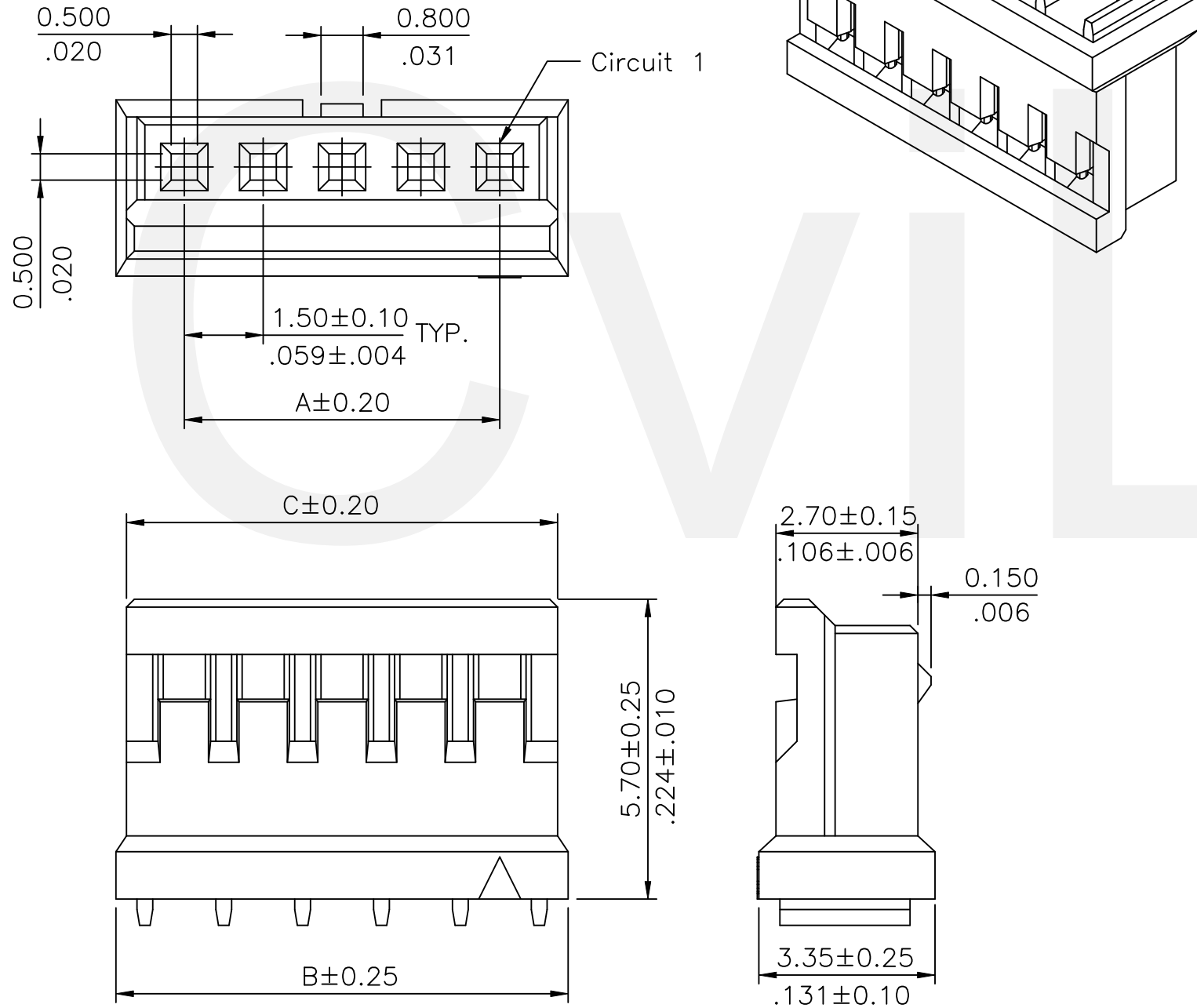
Material:

NYLON 66 UL 94V-0,  
Color Nature  
(Halogen-Free)

Ordering Code:

CI19 \*\* S L 000 -NH  
① ② ③ ④ ⑤ ⑥

- ① Series No.
- ② Contact: 02 to 10
- ③ S= Female
- ④ L= With Locking Ramp
- ⑤ Option:  
000=Standard(Color Nature)
- ⑥ -NH= For Halogen-Free



Circuits	Dimension		
	A	B	C
2	— —	4.10(.161)	3.70(.146)
3	3.00(.118)	5.60(.220)	5.20(.205)
4	4.50(.177)	7.10(.280)	6.70(.264)
5	6.00(.236)	8.60(.339)	8.20(.323)
6	7.50(.295)	10.10(.398)	9.70(.382)
7	9.00(.354)	11.60(.457)	11.20(.440)
8	10.50(.413)	13.10(.516)	12.70(.505)
9	12.00(.472)	14.60(.574)	14.20(.560)
10	13.50(.531)	16.10(.634)	15.70(.618)

Halogen-Free RoHS Compliant

④					DATE	UNIT: mm / inch	TITLE: 1.50MM(.059") CI19 SERIES HOUSING
③					DRAWN BY: Hank	6/14-23'	MATERIAL:
②					ENGINEER: Hank	6/14-23'	
①	Hank	6/14-23'	ECRB123005/ECNT123079		CHECKED BY: Eisley	6/14-23'	FINISH:
SYM	NAME	DATE	REVISIONS		APPROVED BY: Eisley	6/14-23'	


 瀚荃股份有限公司  
 CviLux Corporation

DRAWING NO.	CI1909SB	PART NO.	CI19**SL000-NH
SCALE	4 / 1	SHEET	1 OF 1

CviLux Corp  
 2023/06/21  
 ISSUED