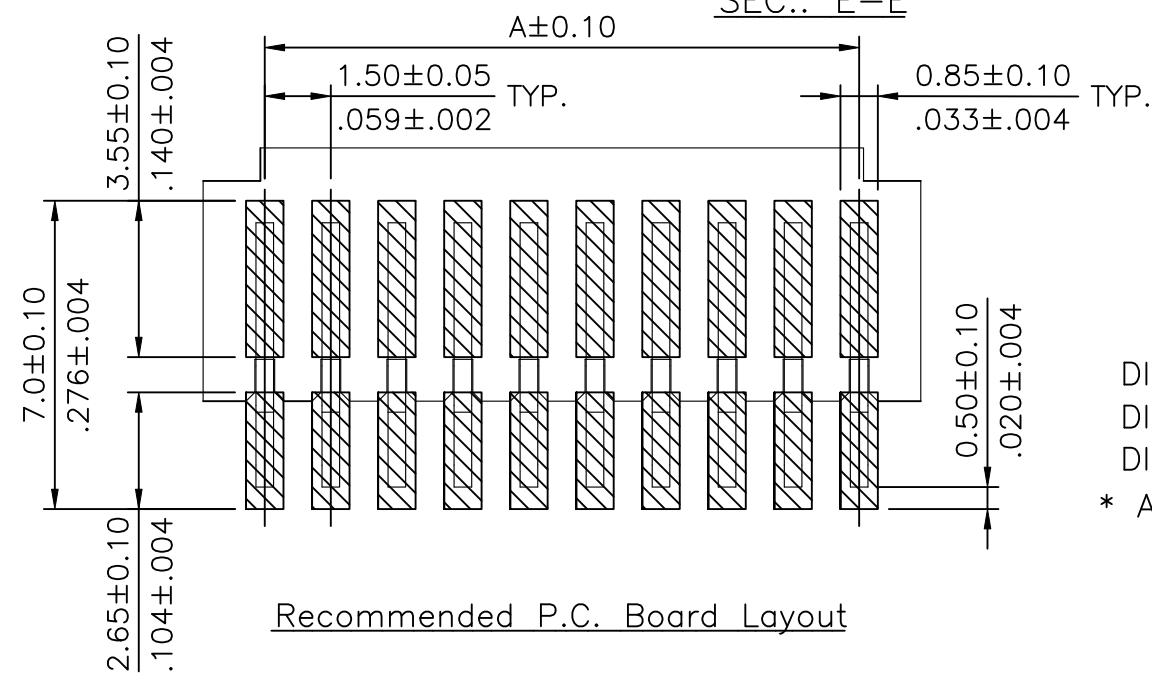
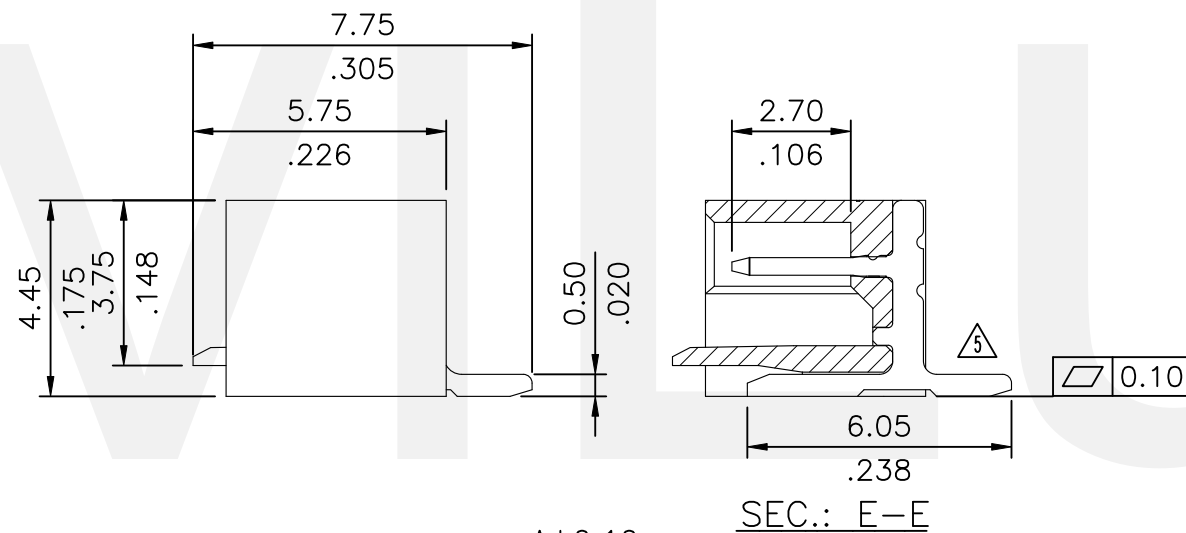
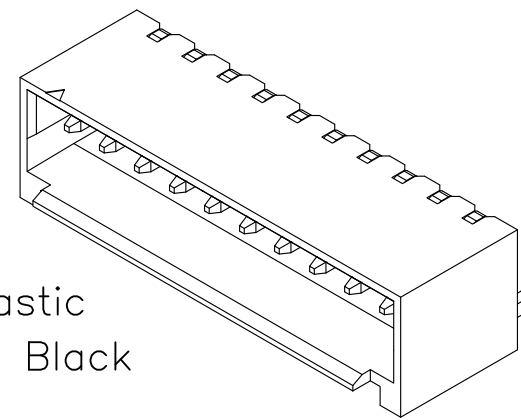


Notes:

- △ * Insulator: Halogen Free Plastic
UL 94V-0 Color Black
- * Contact: Copper alloy



ORDERING CODE

CI19 ** M * H R0 -NH
 ① ② ③ ④ ⑤ ⑥ ⑦


- ① Series No.
- ② Contact: 02 to 20
- ③ M= SMT Type
- ④ Plating :
 1= 2.54μm(100μ") Min. Matte Tin Plating on Contact area and Solderails, 1.27μm(50μ") Nickel Underplating over all
 2= 0.02um(0.8μ") Min. Gold Flash Plating on Contact area and Solderails, 1.27μm(50μ") Nickel Underplating over all
- ⑤ Contact type: H= Side entry
- ⑥ Packing option:
 R0= Tape & Reel Packing
- ⑦ -NH= For Lead Free Reflow Processes & Halogen-Free

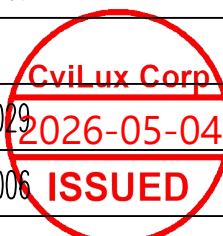
DIM. A = 1.50 x NO. OF SPACES
 DIM. B = DIM. A + 3.3
 DIM. C = DIM. A + 1.8
 * AVAILABLE IN 2 THROUGH 20

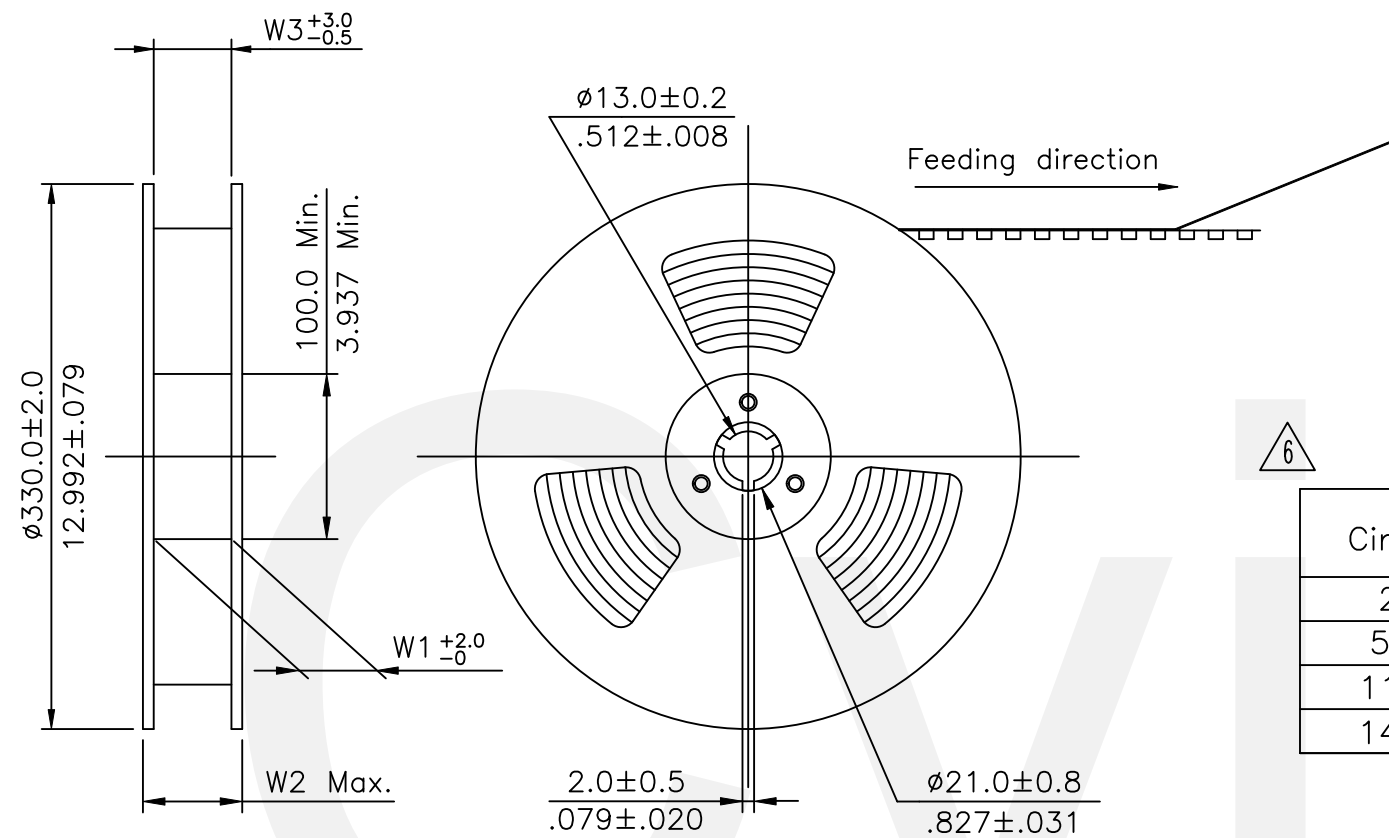
Halogen-Free

Lead Free Process

RoHS Compliant

9	Yan	4/10-26'	ECRQ126008/ECNT126067		DATE	UNIT: mm / inch	TITLE: 1.5mm Pitch WTB SMT R/A TYPE	 瀚荃股份有限公司 CviLux Corporation
8	Sun	3/09-26'	ECNT126043	DRAWN BY: Yan	4/10-26'	TOLERANCE UNLESS OTHERWISE SPECIFIED	MATERIAL:	
7	Jack	12/29-23'	ECNT123179/ECRB123029	ENGINEER: Sun	4/10-26'	.X ± 0.30/.012 X' ± 1'	FINISH:	
6	Ken	3/4-19'	ECNT119042/ECRH119006	CHECKED BY: Eisle	4/10-26'	.XX ± 0.20/.008 X' ±	DRAWING NO. CI1901SG PART NO. CI19**M*HRO-NH	
SYM	NAME	DATE	REVISIONS	APPROVED BY: Eisle	4/10-26'	.XXX ± 0.10/.004 XX' ±	SCALE 4 / 1 SHEET 1 OF 2	

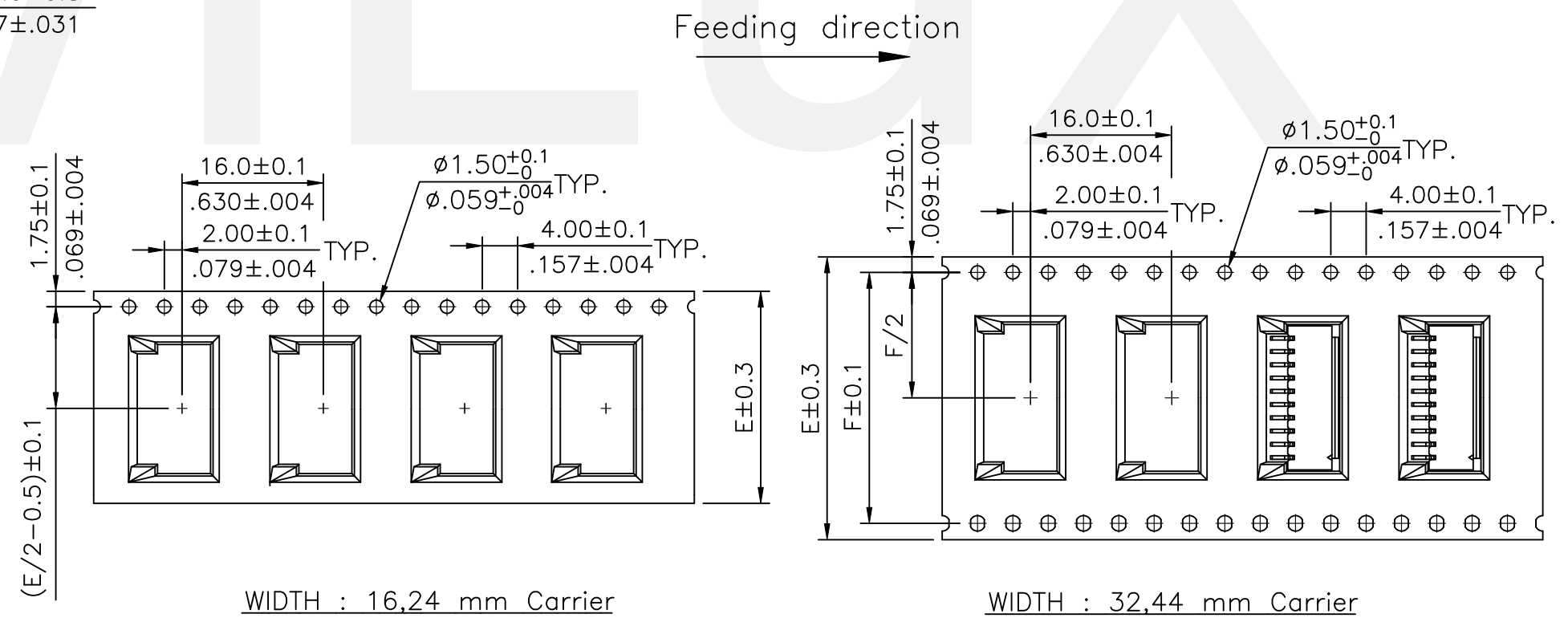
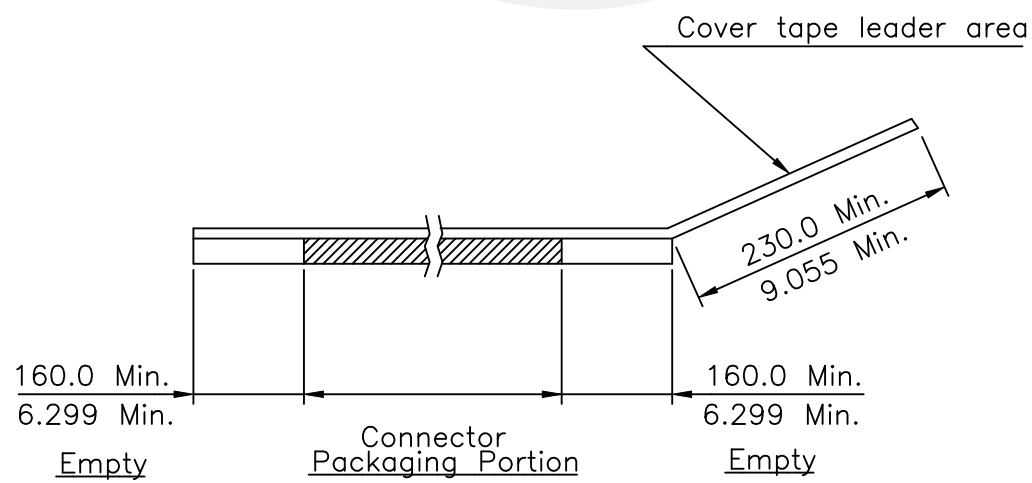




- NOTE :
- 7 * Reel Material : HIPS
 - 9 * Carrier Material : Transparent ps.
 - * Cover Tape Material : Polyester
 - * Cover Tape Peel Strength : 0.1N – 1.3N
 - * Carrier camber is within 1mm in 100mm
 - 7 * All dimensions meet EIA-481-* requirements.
 - * Quantity : 800 PCS/Reel

6


Circuits	Dimension					Packing (Reel/Carton)
	E	F	W1	W2	W3	
2-4	16.0(.630)	—	16.5(.650)	22.5(.885)	16.5(.650)	11
5-10	24.0(.945)	—	24.5(.965)	30.5(1.200)	24.5(.965)	9
11-13	32.0(1.260)	28.4(1.118)	32.5(1.280)	38.5(1.516)	32.5(1.280)	7
14-20	44.0(1.732)	40.4(1.596)	44.5(1.752)	50.5(1.988)	44.5(1.752)	5



WIDTH : 16,24 mm Carrier

WIDTH : 32,44 mm Carrier

RoHS Compliant

9	Yan	4/10-26'	ECRQ126008/ECNT126067		DATE	UNIT: mm / inch	TITLE: 1.5mm Pitch WTB SMT R/A TYPE	 瀚荃股份有限公司 CviLux Corporation
8	Sun	3/09-26'	ECNT126043	DRAWN BY: Yan	4/10-26'	TOLERANCE UNLESS OTHERWISE SPECIFIED	MATERIAL:	
7	Jack	12/29-23'	ECNT123179/ECRB123029	ENGINEER: Sun	4/10-26'	.X ± X' ± 1'	FINISH:	
6	Ken	3/4-19'	ECNT119042/ECRH119006	CHECKED BY: Eisle	4/10-26'	.XX ± X' ±	DRAWING NO. CI1901SG PART NO. CI19**M*HR0-NH	
SYM	NAME	DATE	REVISIONS	APPROVED BY: Eisle	4/10-26'	.XXX ± XX ±	SCALE SHEET 2 OF 2	

CviLux Corp
 2026-05-04
 ISSUED