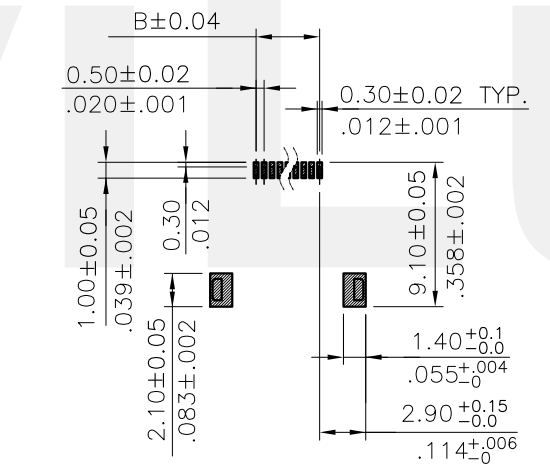
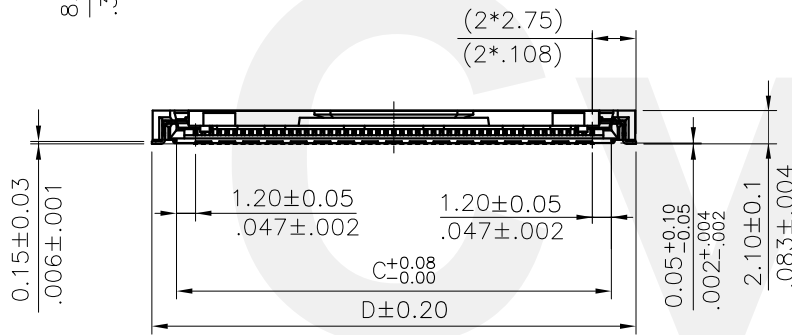


Circuits	Dimension			
	A	B	C	D
60	34.90(1.374)	29.50(1.161)	31.90(1.256)	35.00(1.378)
68	38.90(1.532)	33.50(1.319)	35.90(1.413)	39.00(1.535)
80	44.90(1.768)	39.50(1.555)	41.90(1.651)	45.00(1.772)
96	52.90(2.083)	47.50(1.870)	49.90(1.965)	53.00(2.087)

Material :

- \* Body : High Temperature plastic UL 94V-0  
Color Nature
- \* Slider : High Temperature plastic UL 94V-0  
Color Black
- \* Contact : Phosphor Bronze
- \* Fixed tab : Phosphor Bronze with Matte Tin Plated
- \* For Lead Free IR Processed

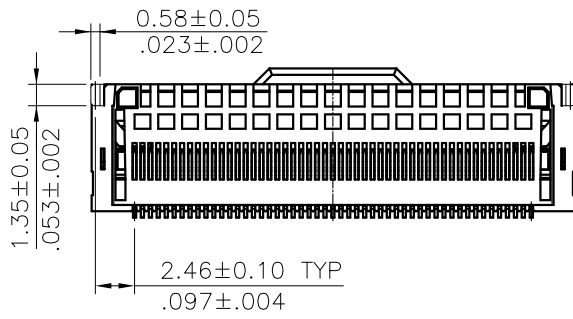


Recommended P.C.B Board Layout

### Ordering Code

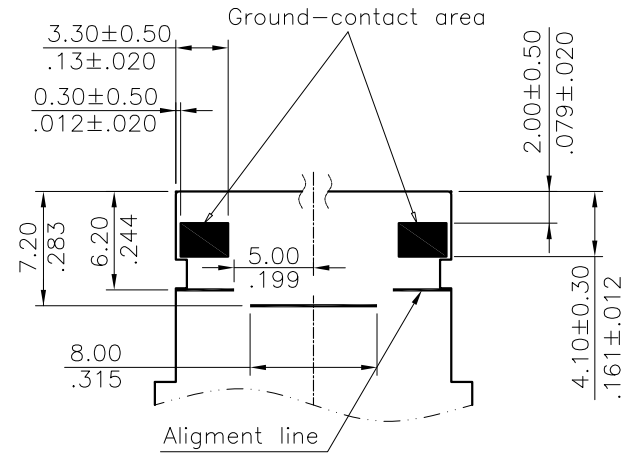
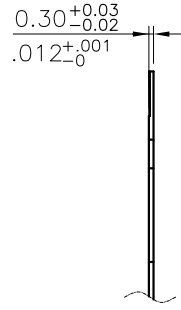
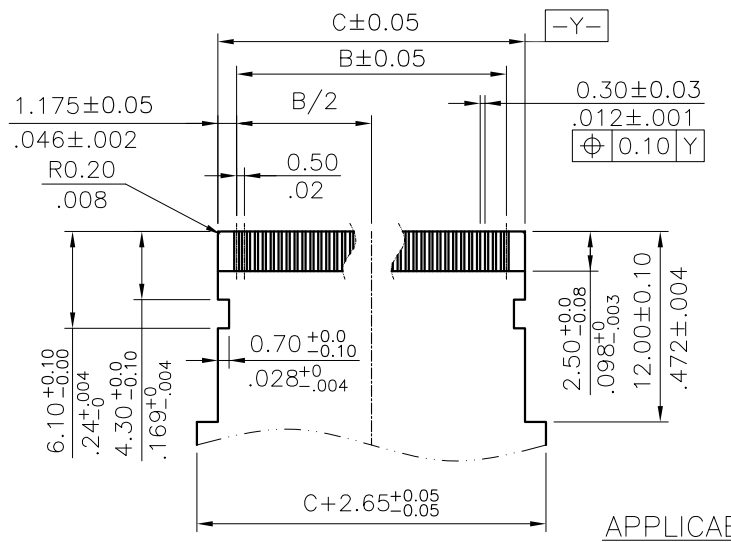
CF71 \*\* F D 0 R0 - NH  
 ① ② ③ ④ ⑤ ⑥ ⑦

- ① Series No.
- ② No. of Circuits
- ③ Plating code:  
F= Selective Gold flash plated over Nickel
- ④ Contact style: D= Downside contact
- ⑤ Color: 0= Nature
- ⑥ Other option: R0= Tape & Reel
- ⑦ -NH= For Lead Free IR Processed and Halogen Free

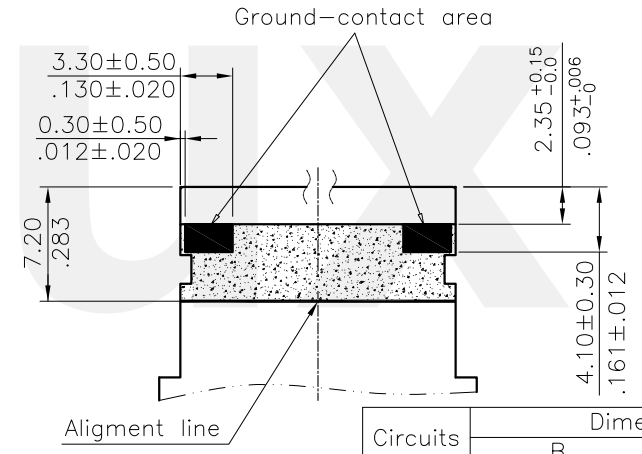
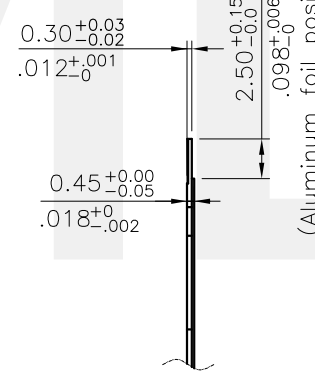
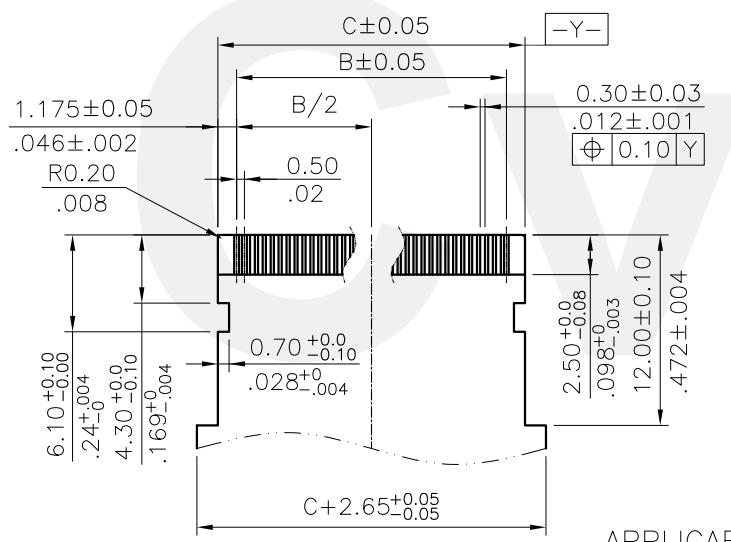


**Halogen-Free**    **Lead Free Process**    **RoHS compliant**

4						DATE	UNIT: mm / inch	TITLE: 0.50mm(.020") ZIF FFC/FPC ONE-TOUCH CONNECTOR	 瀚荃股份有限公司 CviLux Corporation			
3					DRAWN BY: Sandy	8/10-17'	TOLERANCE UNLESS OTHERWISE SPECIFIED			MATERIAL:		
2					ENGINEER: Sun	8/11-17'	.X ± 0.20/.008	X.° ± 1°				
1					CHECKED BY: Eisley	8/15-17'	.XX ± 0.15/.006	.X° ±			FINISH:	
SYM	NAME	DATE	REVISONS	APPROVED BY: Eisley	8/15-17'	.XXX ± 0.10/.004	.XX° ±		DRAWING NO. CF7101SA	PART NO. CF71**FDORO-NH		
									SCALE	2 / 1	SHEET	1 OF 3



APPLICABLE FPC RECOMMENDED DIMENSION



APPLICABLE FPC RECOMMENDED DIMENSION

Circuits	Dimension	
	B	C
60	29.50(1.161)	31.85(1.254)
68	33.50(1.319)	35.85(1.411)
80	39.50(1.555)	41.85(1.648)
96	47.50(1.870)	49.85(1.963)

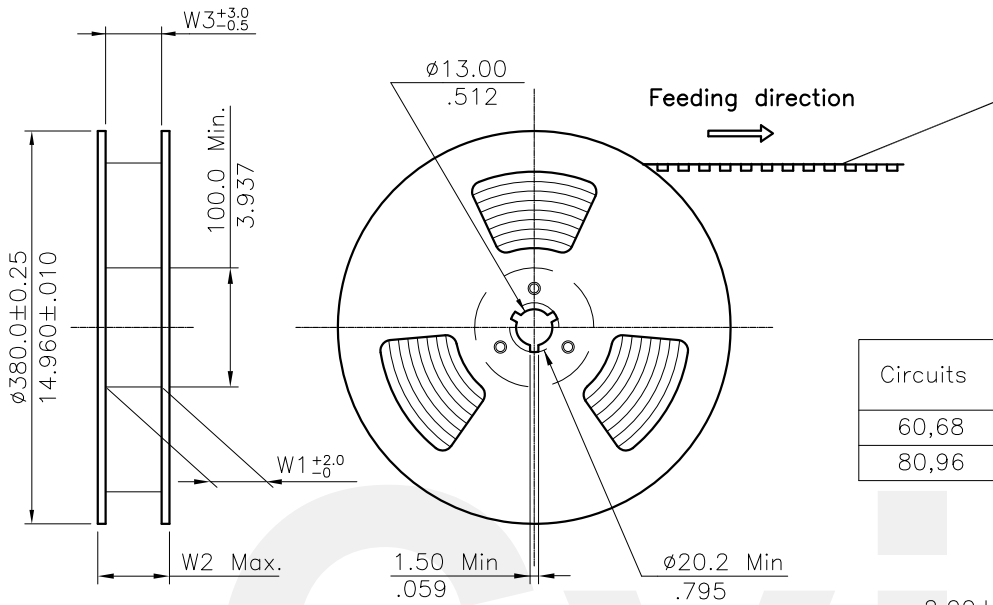
Halogen-Free    Lead Free Process    RoHS compliant

4										
3										
2										
1										
SYM	NAME	DATE	REVISONS	APPROVED BY:	Eisley	8/15-17'	TOLERANCE UNLESS OTHERWISE SPECIFIED	UNIT: mm / inch	MATERIAL:	FINISH:
				DRAWN BY:	Sandy	8/10-17'	.X ± 0.20/.008    X.° ± 1°	0.50mm(.020") ZIF FFC/PFC ONE-TOUCH CONNECTOR		
				ENGINEER:	Sun	8/11-17'	.XX ± 0.15/.006    .X° ±			
				CHECKED BY:	Eisley	8/15-17'	.XXX ± 0.10/.004    .XX° ±			

CVILUX CORP  
2017.08.31  
ISSUED

瀚荃股份有限公司  
CviLux Corporation

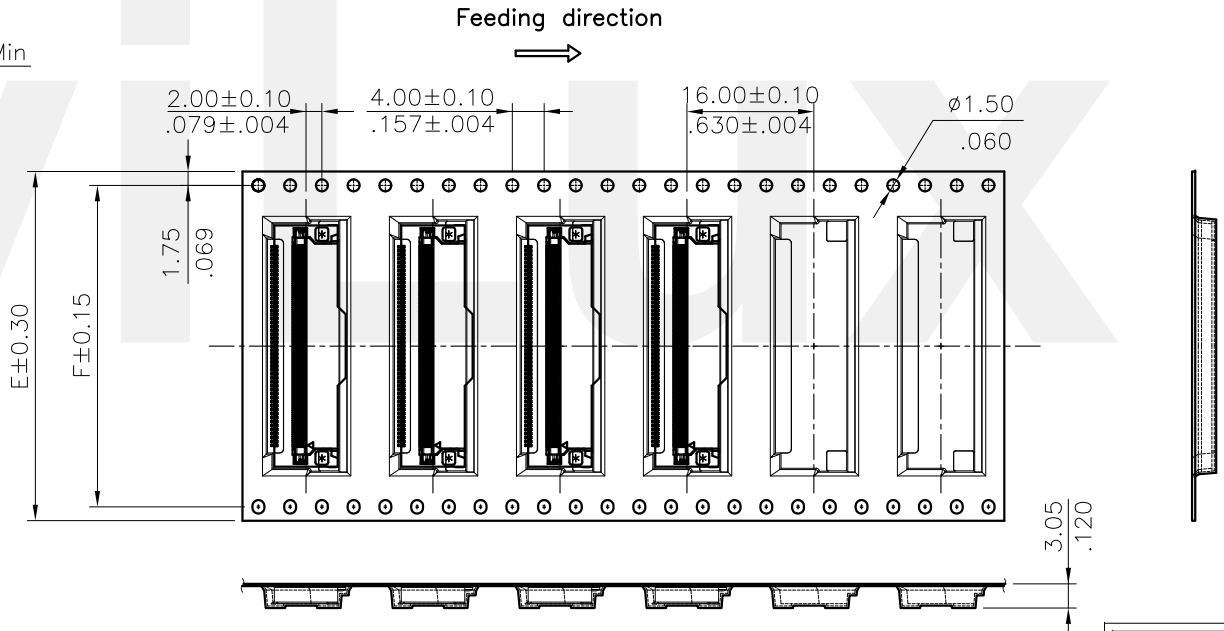
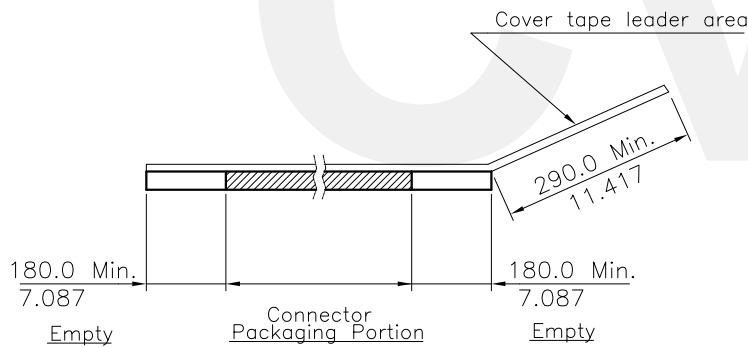
DRAWING NO.	CF7101SA	PART NO.	CF71**FDORO-NH
SCALE	2 / 1	SHEET	2 OF 3



NOTES :

- \* Reel Material : Polystyrenes, Blue color
- \* Carrier Material : Color Nature, Conductive Polystyrene Alloy
- \* Cover Tape Material : Polyester
- \* Cover Tape Peel Strength : 0.1N – 1.3N
- \* Carrier camber is within 1mm in 300mm
- \* All dimensions meet EIA-481-C requirements.
- \* Quantity : 1500 PCS/Reel

Circuits	Dimension					Packing (Reel/Carton)
	E	F	W1	W2	W3	
60,68	56.0(2.205)	52.40(2.063)	56.5(2.224)	60.5(2.381)	56.5(2.224)	5
80,96	72.0(2.835)	68.40(2.693)	72.5(2.854)	76.5(3.012)	72.5(2.854)	4



WIDTH : 56.72 mm Carrier

RoHS Compliant

REV	SYM	NAME	DATE	REVISIONS	APPROVED BY:	DATE	UNIT: mm / inch	TITLE: 0.50mm(.020") ZIF FFC/FPC ONE-TOUCH CONNECTOR	MATERIAL:	FINISH:	DRAWING NO.	CF7101SA	PART NO.	CF71**FDORO-NH	SCALE	1 / 1	SHEET	3 OF 3
4																		
3																		
2																		
1																		

**CIVILUX CORP**  
2017.08.31  
ISSUED

**瀚荃股份有限公司**  
CviLux Corporation