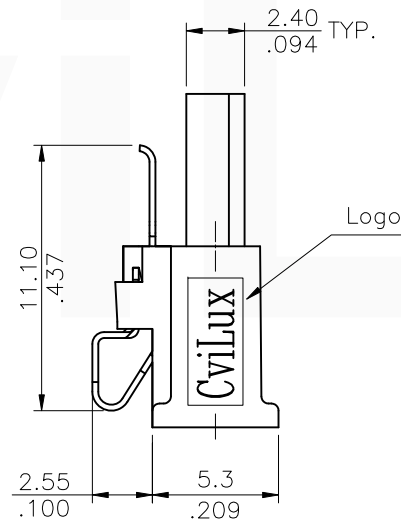
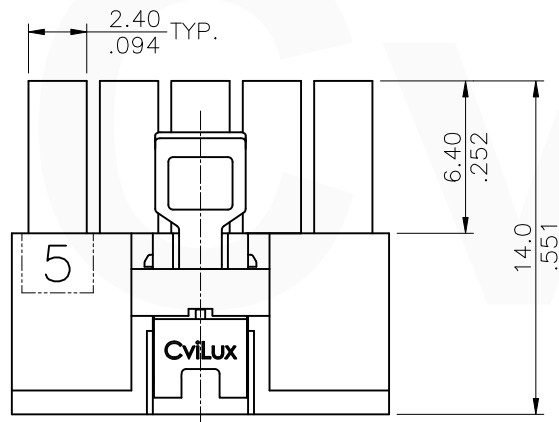
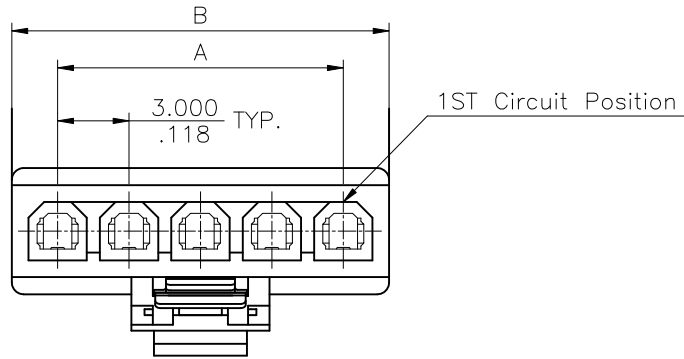


Material :
 Insulator: PBT UL 94V-0
 Latch : Stainless steel

Ordering Code:


CP35 ** S ML 1 S
 ① ② ③ ④ ⑤ ⑥

- ① Series No.
- ⚠ ② No. of Circuits: 02~12
- ③ Contact type: S = Receptacle
- ④ ML = Metal Latch Type
- ⑤ Color: 1 = Color Black
- ⑥ Other option: S = Single Row



Circuits	Dimension	
	A	B
2	3.00(.118)	6.9(.272)
3	6.00(.236)	9.9(.390)
4	9.00(.354)	12.9(.508)
5	12.00(.472)	15.9(.626)
6	15.00(.591)	18.9(.744)
7	18.00(.709)	21.9(.862)
8	21.00(.827)	24.9(.980)
9	24.00(.945)	27.9(1.098)
10	27.00(1.063)	30.9(1.217)
11	30.00(1.181)	33.9(1.335)
12	33.00(1.299)	36.9(1.453)

RoHS Compliant

④					DATE	UNIT: mm / inch	TITLE: 3.00mm PITCH POWER CONNECTOR FEMALE HOUSING	 瀚荃股份有限公司 CviLux Corporation
③					DRAWN BY: Sun	12/11-19'	TOLERANCE UNLESS OTHERWISE SPECIFIED	
②					ENGINEER: Sun	12/11-19'	.X ±0.30/.012 X' ± 1'	MATERIAL:
①	Sun	12/9-19'	ECNT119348		CHECKED BY: Eisley	12/12-19'	.XX ±0.20/.008 .X' ±	FINISH:
SYM	NAME	DATE	REVISIONS		APPROVED BY: Eisley	12/12-19'	.XXX ±0.10/.004 .XX' ±	DRAWING NO. CP3507AB
								PART NO. CP35**SML1S
								SCALE 3 / 1
								SHEET 1 OF 1

CVILUX
 2019.12.12
 ISSUED