

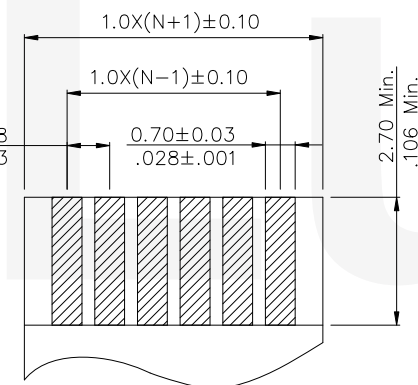
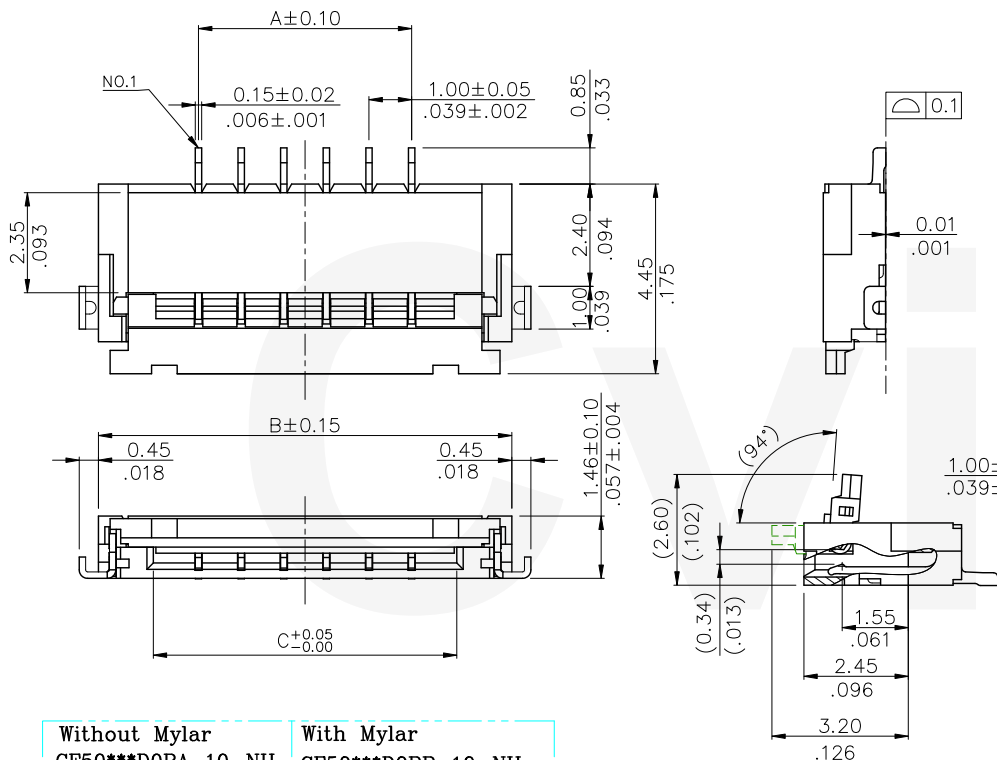
Material :

- * Body: High temperature plastic UL 94V-0, Color Nature
- * Cover: High temperature plastic UL 94V-0, Color Black
- * Contact: Phosphor Bronze
- * Fixed tab: Brass with 2.50 μm(100 μ") Min. Matte Tin Plated over 1.27 μm(50 μ") Min. Nickel

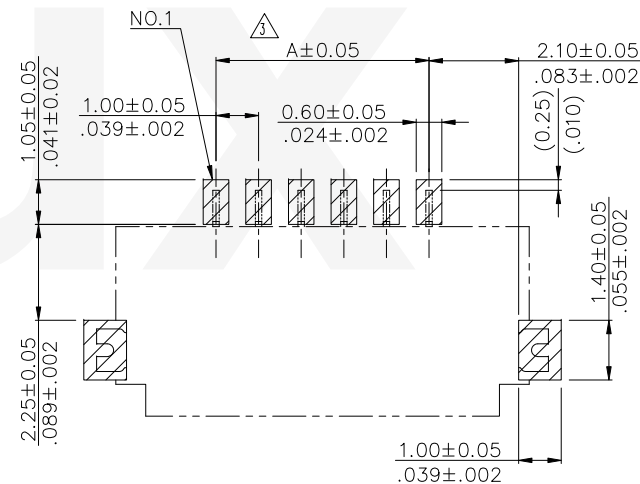
Ordering Code

CF50 ** * D 0 * * -10 -NH
 ① ② ③ ④ ⑤ ⑥ ⑦ ⑧

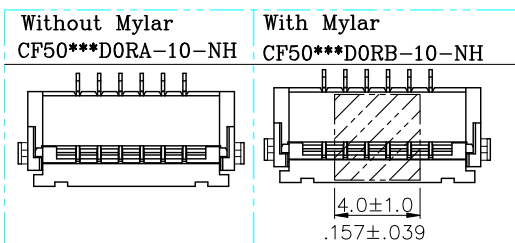
- ① Series No.
- ② No. of Circuits
- ③ Plating code:
 1= 2.50 μm(100 μ") Min. Matte Tin Plating over 1.27 μm(50 μ") Min. Nickel
 F= 0.02 μm(0.8 μ") Min. Gold Flash Plating on Contact area and Solder tails, 1.27 μm(50 μ") Nickel Underplating over all
- ④ Contact style: D= Downside contact
- ⑤ 0= Color Nature
- ⑥ Packing: RA= Tape & Reel(3KPcs/Reel), Without Mylar
 RB= Tape & Reel(3KPcs/Reel), With Mylar
 TA= Tube Packing ,Without Mylar, Without Mylar
 TB= Tube Packing ,Without Mylar, With Mylar
- ⑦ -10= 1.0 Pitch
- ⑧ -NH= For Lead Free IR Reflow Processed and Halogen Free



(Thickness: 0.3±0.03)
 Applicable FFC/FPC Dim.



Recommended PCB Layout



Cover open status

Circuits (N)	Dimension		
	A	B	C
4	3.00 (.118)	7.70 (.303)	5.12 (.202)
6	5.00 (.197)	9.70 (.382)	7.12 (.281)
8	7.00 (.276)	11.70 (.461)	9.12 (.359)
10	9.00 (.355)	13.70 (.540)	11.12 (.438)

Halogen-Free Lead Free Process RoHS compliant

SYM	NAME	DATE	REVISIONS	APPROVED BY:	DATE	UNIT:	TOLERANCE UNLESS OTHERWISE SPECIFIED
④						mm / inch	
③	Sandy	9/10-21'	ECNT121232	DRAWN BY: Sandy	9/15-21'		
②	Sun	9/30-17'	ECNT117200	ENGINEER: Sun	9/15-21'		.X ± 0.20/.008 .X' ± 1'
①	Clarie	10/6-14'	ECRT214034/ECNT214065	CHECKED BY: Eisley	9/16-21'		.XX ± 0.15/.006 .X' ±
				APPROVED BY: Eisley	9/16-21'		.XXX ± .XX' ±

CVILUX CORP
2021.09.16
ISSUED

TITLE: 1.00mm(.039") ZIF FFC/FPC ONE-TOUCH CONNECTOR

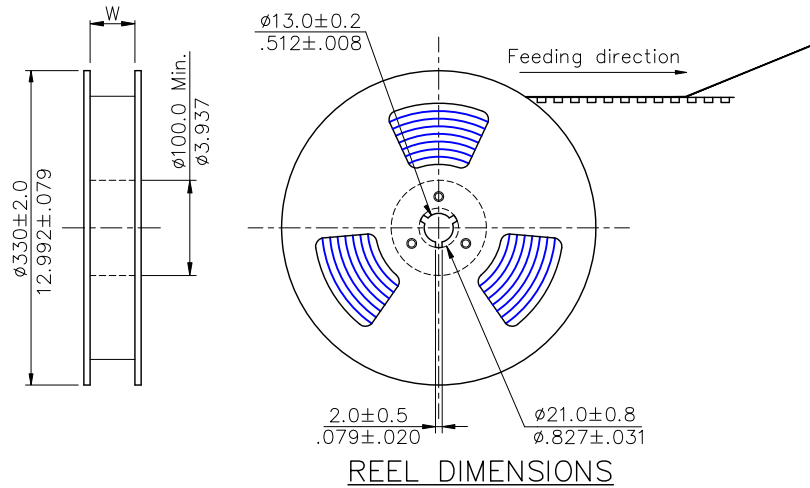
MATERIAL:

FINISH:

瀚荃股份有限公司
 CviLux Corporation

DRAWING NO. CF5005SC PART NO. CF50***D0**-10-NH

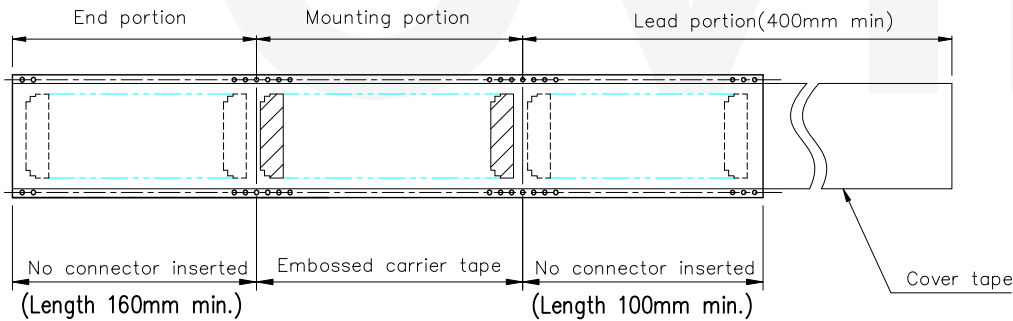
SCALE 8 / 1 SHEET 1 OF 2



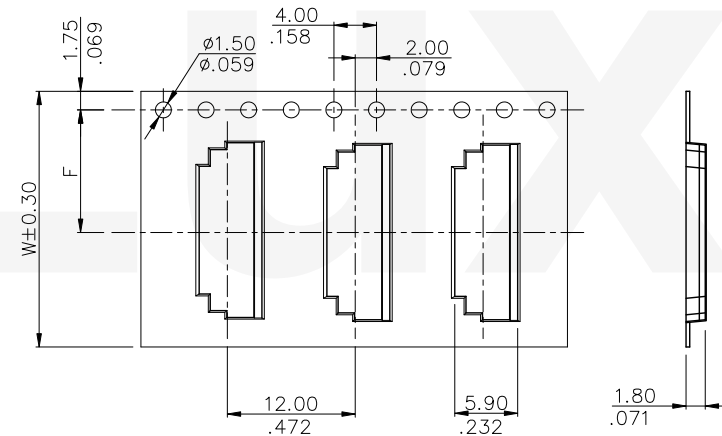
Notes:

1. 10 sprocket hole pitch cumulative tolerance ± 0.2
2. Material: Polystyrene.
3. All dimensions meet EIA-481-B requirements.
4. Quantity: 3000 Pcs/Reel

Circuits	Dimension		Packing (Reel/Cartron)
	W	F	
4-10	24.0(.945)	11.50(.453)	9




TAPE RUNNING DIRECTION



WIDTH : 24 mm Carrier

RoHS Compliant

SYM	NAME	DATE	REVISIONS	APPROVED BY:	DATE	UNIT: mm / inch	TITLE: 1.00mm(.039") ZIF FFC/FPC ONE-TOUCH CONNECTOR	 瀚荃股份有限公司 CviLux Corporation				
4								MATERIAL: FINISH:	DRAWING NO.	CF5005SC	PART NO.	CF50***D0**-10-NH
3	Sandy	9/10-21'	ECNT121232	DRAWN BY: Sandy	9/15-21'	TOLERANCE UNLESS OTHERWISE SPECIFIED			SCALE	8 / 1	SHEET	2 OF 2
2	Sun	9/30-17'	ECNT117200	ENGINEER: Sun	9/15-21'	.X \pm 0.20/.008 X' \pm 1'						
1	Clarie	10/6-14'	ECRT214034/ECNT214065	CHECKED BY: Eisley	9/16-21'	.XX \pm 0.15/.006 .X' \pm						
				APPROVED BY: Eisley	9/16-21'	.XXX \pm .XX' \pm						

CVILUX CORP
2021.09.16
ISSUED