

Ordering Code:

CU31 24 P * A H L A 00* - NH
 ① ② ③ ④ ⑤ ⑥ ⑦ ⑧ ⑨ ⑩

- ① Series No.
- ② No. of Circuits
- ③ P=Plug
- ④ Plating option:
 A= Gold Flash plated on Contact area, Matte Tin plated on Solder-tails, Nickel underplating over all
 B= 15u" gold plated on Contact area, Matte Tin plated on Solder-tails, Nickel underplating over all
 C= 30u" gold plated on Contact area, Matte Tin plated on Solder-tails, Nickel underplating over all
- ⑤ Shell Material & Plating:
 A=Stainless Steel Ni Plated
- ⑥ Contact Material: H= Copper Alloy
- ⑦ Insulator Material & Color option:
 L= Lcp Black
- ⑧ Packing A= Tray
- ⑨ 002=Without cover
 003=With cover
- ⑩ -NH= For Lead Free wave or IR Reflow Processes & Halogen Free

Lead Free Process

Halogen-Free

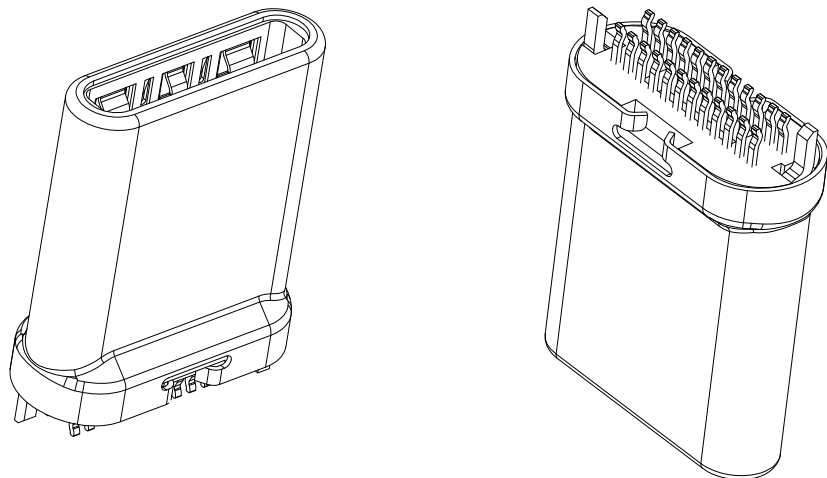
4					DATE	UNIT: mm / inch	TITLE:
3					07/20-21'	TOLERANCE	CU31 Type C/F 24 PIN PCB
2					07/20-21'	UNLESS OTHERWISE SPECIFIED	Clip type
1	Annie	7.20	CHANGE ECND121024	CHECKED BY:	07/20-21'	.X ± 0.25/.010 X' ± 4"	MATERIAL:
SYM	NAME	DATE	REVISIONS	APPROVED BY:	07/20-21'	.XX ± 0.20/.008 X' ± 2"	FINISH:
						.XXX ± 0.10/.004 XX' ±	

CVILUX COUP
 2021.08.12
 ISSUED



瀚荃股份有限公司
 CviLux Corporation

DRAWING NO.	CU31P02SB	PART NO.	CU3124P*AHLA00*-NH
SCALE	4 / 1	SHEET	1 OF 3

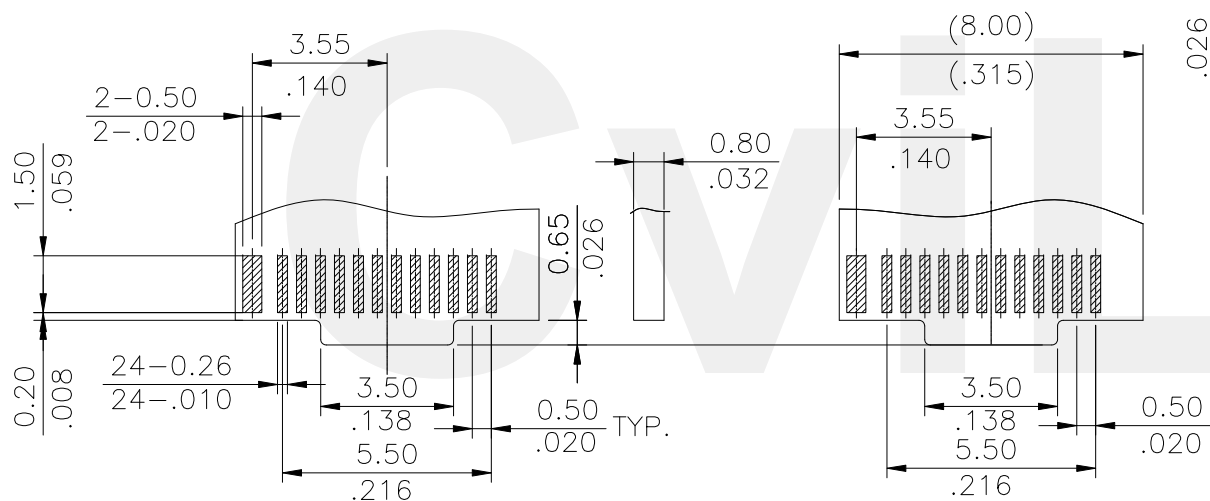


MATERIAL:

- 1.HOUSING: LCP, GLASS FIBER FILLED, BK
- 2.CONTACT: COPPER ALLOY (T=0.15mm)
- 3.GUARD PLATE:STAINLESS STEEL (T=0.10mm)
- 4.SHIELD: STAINLESS STEEL (T=0.20mm)

FINISH:

CONTACT : SEE ORDER INFORMATION
SHELL: NICKEL PLATING



RECOMMENDED P.C.B. LAYOUT
TOLERANCE UNSPECIFIED ±0.05mm

A12	GND	GND	B1
A11	RX2+	TX2+	B2
A10	RX2-	TX2-	B3
A9	Vbus	Vbus	B4
A8	SBU1	Vconn	B5
A7	D-		B6
A6	D+		B7
A5	CC	SBU2	B8
A4	Vbus	Vbus	B9
A3	TX1-	RX1-	B10
A2	TX1+	RX1+	B11
A1	GND	GND	B12

Lead Free Process

Halogen-Free

4					DATE	UNIT: mm / inch	TITLE:
3					07/20-21'	TOLERANCE	CU31 Type C/F 24 PIN PCB
2					07/20-21'	UNLESS OTHERWISE SPECIFIED	Clip type
1	Annie	7.20	CHANGE ECND121024	CHECKED BY:	Keny	07/20-21'	MATERIAL:
SYM	NAME	DATE	REVISIONS	APPROVED BY:	Keny	07/20-21'	FINISH:

CIVILUX COUP
 2021.08.12
 ISSUED



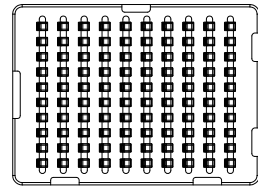
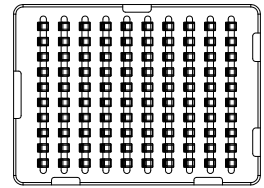
瀚荃股份有限公司
CviLux Corporation

DRAWING NO.	CU31P02SB	PART NO.	CU3124P*AHLA00*-NH
SCALE	4 / 1	SHEET	2 OF 3

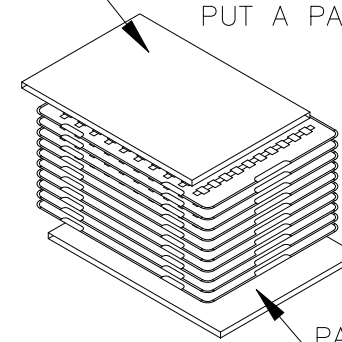
10*10=100PCS/TRAY

THE SECOND LAYER IS PLACED ON THE BASIS OF THE FIRST LAYER STACK,THE THIRD,FOUR LAYERS.....AND SO ON

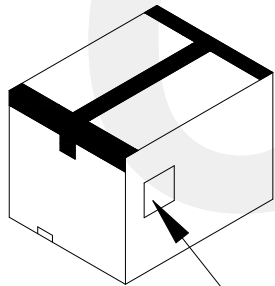
20 TRAY/SHEAF,EACH SHEAF PACKING PRODUCTS 2000 PCS,PACKED PRODUCTS,THE PRODUCT OF AN EMPTY TRAY ON THE TOP COVER,EACH SHEAF BOTTOM AND TOP PUT A PAPER PLATE



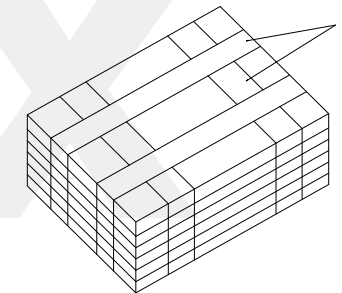
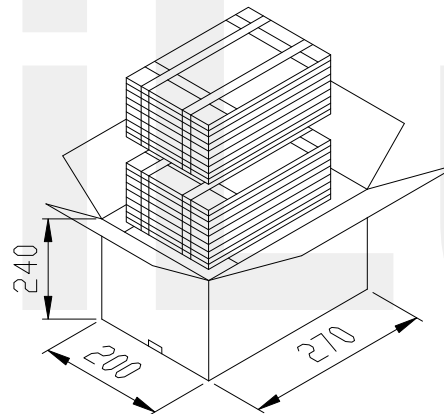
PAPER PARTITION



PAPER PARTITION



LABEL



PE FILM

USE SEALING TAPE WILL TAKE PLACE OUTSIDE THE CARTON SEALING, THE LABELS PASTE ON THE OUTSIDE OF THE CARTON

WILL BE PACKAGED PRODUCTS IN 270*200*240mm INSIDE THE CARTONS,EACH CARTONS PACKED TWO SHEAF, A TOTAL OF PRODUCTS 4000PCS.

AFTER THE TRAY WAS FOLDED WITH PE FILM ON THE TWISTS

Lead Free Process Halogen-Free

4					DATE	UNIT: mm / inch	TITLE:
3					07/20-21'	TOLERANCE	CU31 Type C/F 24 PIN PCB
2					07/20-21'	UNLESS OTHERWISE SPECIFIED	Clip type
1	Annie	7.20	CHANGE ECND121024	CHECKED BY:	07/20-21'	.X ± 0.25/.010	MATERIAL:
SYM	NAME	DATE	REVISIONS	APPROVED BY:	07/20-21'	.XX ± 0.20/.008	FINISH:
						.XXX ± 0.10/.004	

CVILUX COUP
2021.08.12
ISSUED

瀚荃股份有限公司
CviLux Corporation

DRAWING NO.	CU31P02SB	PART NO.	CU3124P*AHLA00*-NH
SCALE	4 / 1	SHEET	3 OF 3