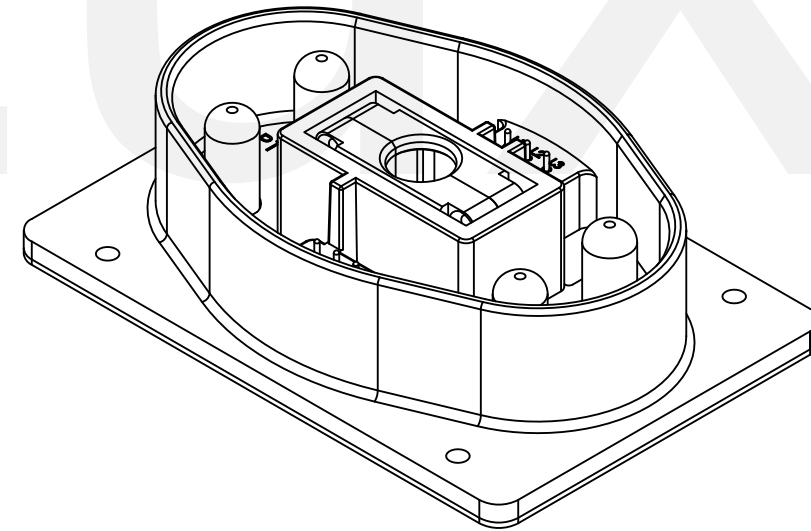
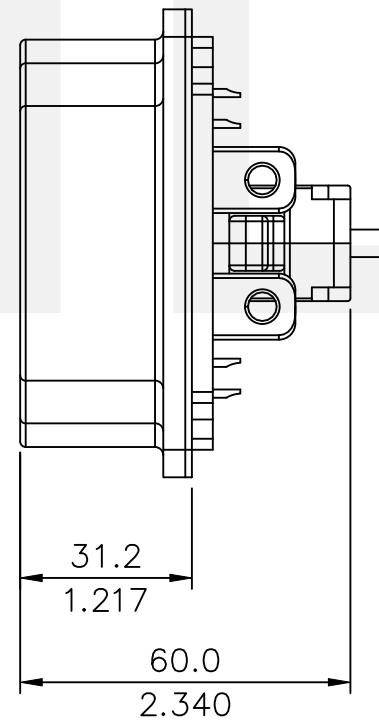
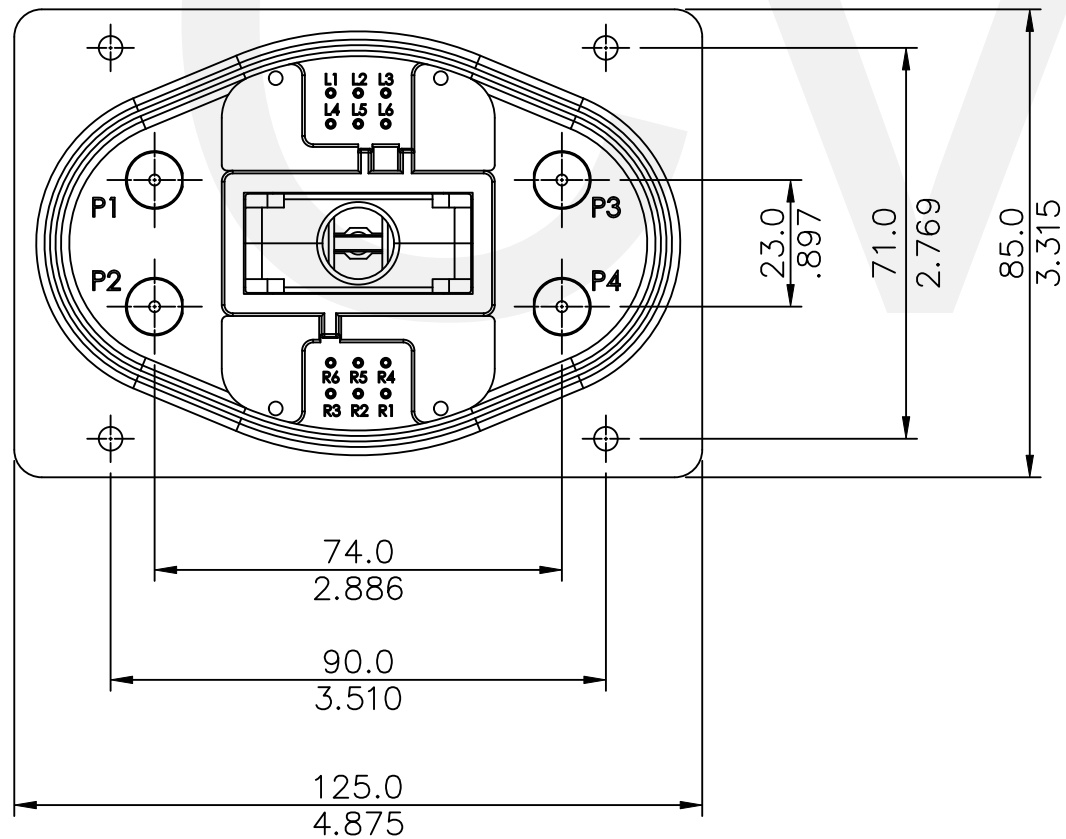


Material:

- * Base: High Temperature Plastic UL 94V-0
Orange Color
- * Cover: High Temperature Plastic UL 94V-0
Orange Color
- * Power Pin: Copper
- * Signal Pin: Copper Alloy

Characteristics:

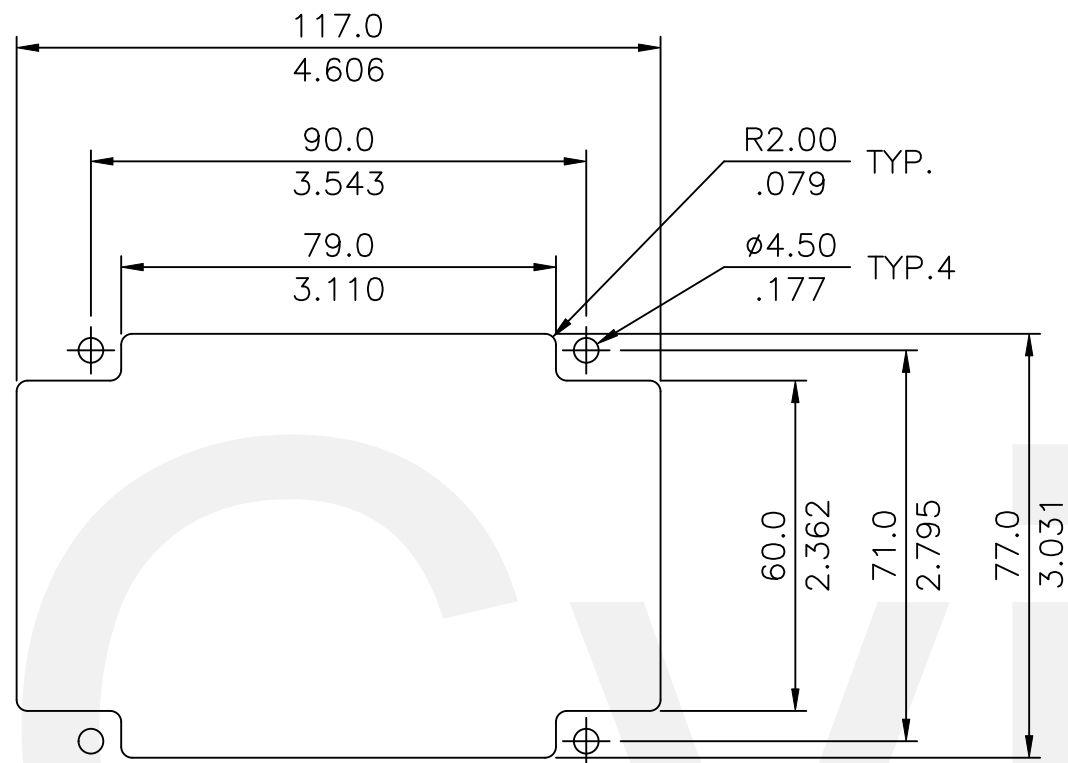
- * Rated current: 150A
- * Rated voltage: 1000V AC/DC
- * Dielectric strength: 4250V AC
- * Durability: 3,000 cycles
- * Locking force: > 40 kgf
- * Operating Temperature: -40°C ~ 125°C
- * The products reserve the right to modify



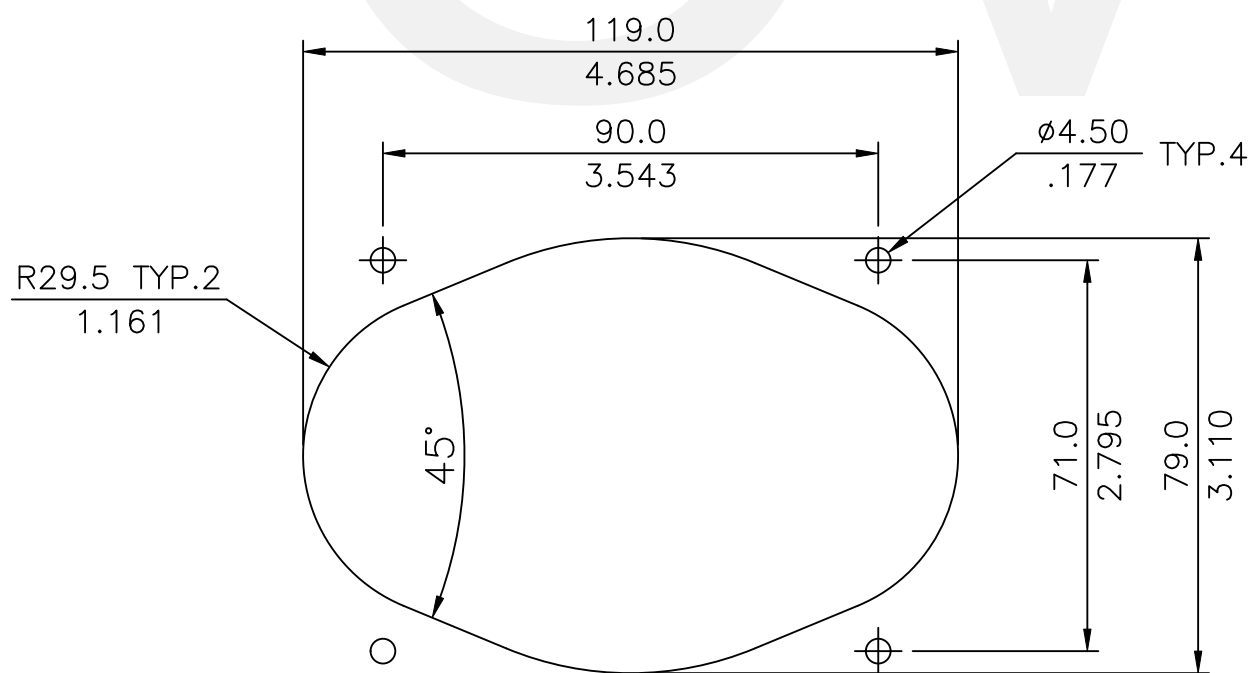
RoHS Compliant

4					DATE	UNIT: mm / inch	TITLE: CPF1 SERIES PLUG CONNECTOR	瀚荃股份有限公司 CviLux Corporation			
3					DATE	TOLERANCE UNLESS OTHERWISE SPECIFIED	MATERIAL:				DRAWING NO.
2					DATE	.X ± 0.50/.020 X.* ± 1*	FINISH:	SCALE	1 / 2	SHEET	1 OF 3
1					DATE	.XX ± 0.30/.012 .X.* ±					
SYM	NAME	DATE	REVISIONS		APPROVED BY:	.XXX ± 0.20/.008 .XX.* ±					

CviLux Corp
 2024/11/01
 ISSUED



Recommended Panel Cutout (Front Mounting)



Recommended Panel Cutout (Rear Mounting)

Ordering Code

CPF1 4 150 S P A 9 4 B P 1 - A
 ① ② ③ ④ ⑤ ⑥ ⑦ ⑧ ⑨ ⑩ ⑪ ⑫

- ① Series No.
- ② No. of power pin: 4,2
- ③ Current: 150= 150A (Per pin)
300= The two assigned pins of the connector (P1 and P2, P3 and P4) can be connected for parallel output to increase the total current up to 300A.
- ④ Power pin plating: S= Silver plated
- ⑤ Connector Type: P= Plug
- ⑥ Signal Type:
A= 6+6(Standard)
B= 6+USB C(USB3.2 Gen2)
C= 6+0
- ⑦ Signal Pin plating:
9= 5μ" Gold plated over 50μ" Nickel
- ⑧ Insulator color: 4= Orange
- ⑨ Lock Type:
0= W/O Lock(2 in 1 Series)
A= With Lock(Two-way Solenoid valve)
B= With Lock(One-way Solenoid valve)(Standard)
- ⑩ Prevention key option: 0= W/O key
P= With key(Standard)
- ⑪ Options: 0= Front & Rear Mounting all available
1= Front Mounting(Standard)
2= Rear Mounting
- ⑫ Product Safety Certification:
-0 for UL 1977
-A for UL 4128 (See Back View A)
-B for UL 4128 (See Back View B)

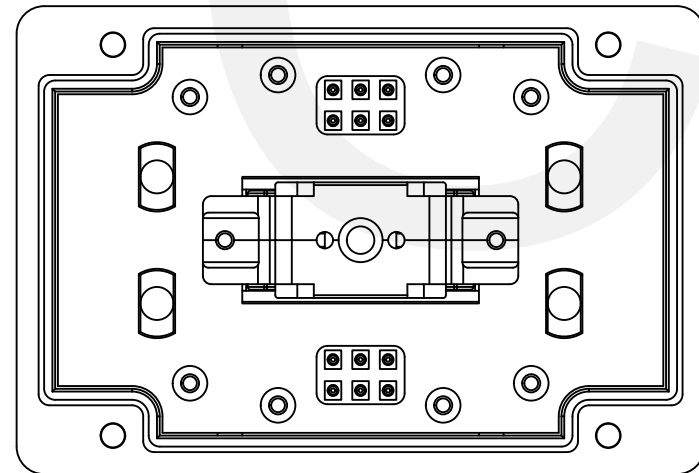
RoHS Compliant

4					DATE	UNIT: mm / inch	TITLE: CPF1 SERIES PLUG CONNECTOR	瀚荃股份有限公司 CviLux Corporation			
3					DATE	TOLERANCE UNLESS OTHERWISE SPECIFIED	MATERIAL:				DRAWING NO.
2					DATE	.X ± 0.50/.020 X.* ± 1"	FINISH:	SCALE	1 / 2	SHEET	2 OF 3
1				DATE	.XX ± 0.30/.012 .X.* ±	.XXX ± 0.20/.008 .XX.* ±					
SYMBOL	NAME	DATE	REVISIONS	APPROVED BY:	Eisley	10/22-24'					

CviLux Corp
 2024/11/01
 ISSUED

For UL 1977

P/N: CPF14150SPA94BP1-0

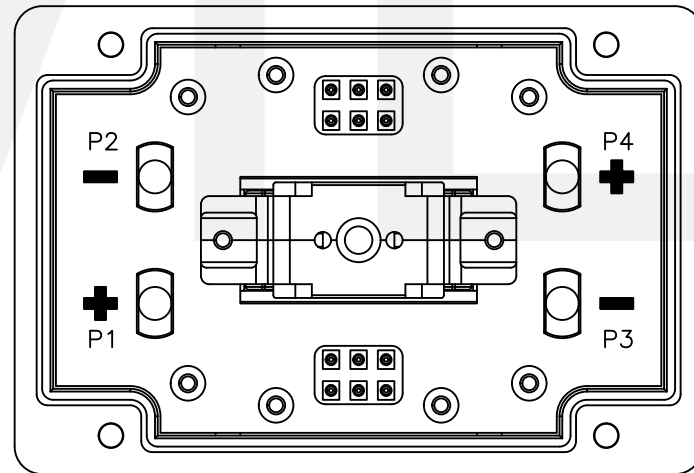


BACK VIEW

For UL 4128

P/N: CPF14150SPA94BP1-A

Recommended Application



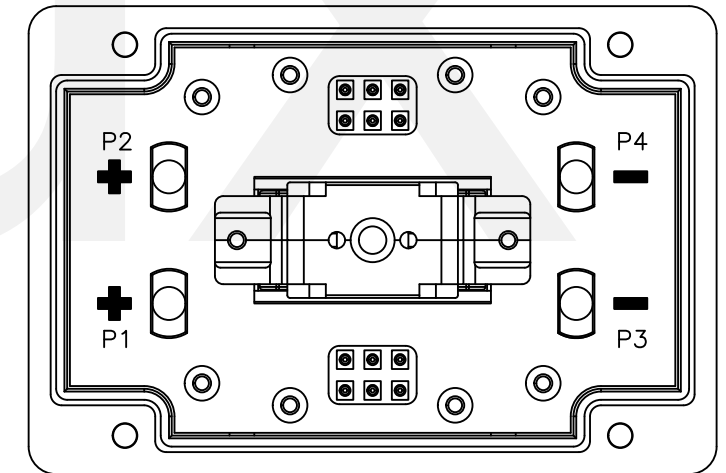
BACK VIEW A

For UL 4128

P/N: CPF14300SPA94BP1-B


Recommended Application

(Parallel Mode)



BACK VIEW B

RoHS Compliant

4					DATE	UNIT: mm / inch	TITLE: CPF1 SERIES PLUG CONNECTOR	 瀚荃股份有限公司 CviLux Corporation			
3					DATE	TOLERANCE UNLESS OTHERWISE SPECIFIED	MATERIAL:				DRAWING NO.
2					DATE	.X ± 0.50/.020 X.* ± 1'	FINISH:	SCALE	1 / 2	SHEET	3 OF 3
1				DATE	.XX ± 0.30/.012 .X.* ±						
SYM	NAME	DATE	REVISIONS	APPROVED BY:	Eisley	10/22-24'					

CviLux Corp
 2024/11/01
 ISSUED