


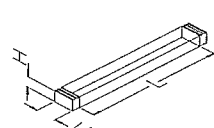
SERIES OR P/N	CIRCUITS	PACKING METHOD CODE	INNER PACKING NO.	INNER PACKING SIZE (CM)			INNER PACKING QTY	INSIDE CARTON NO.			INSIDE CARTON SIZE (CM)			PCS / INSIDE CARTON	CARTON NO.	CARTON SIZE (CM)			PCS / CARTON	G.W REF. (KG)
				L	W	H		L	W	H	L	W	H			L	W	H		
CB85042V100	04	F					500						2500					30000	10.0	
CB85062V100	06	F					500						2000					24000	11.0	
CB85082V100	08	F					500						1500					18000	10.8	
CB85102V100	10	C					600											7200	6.2	
CB85142V100	14	C					450											5400	6.2	
CB85162V100	16	C					390											4680	6.3	
CB85182V100	18	C					330											3960	5.7	
CB85202V100	20	C					300											3600	5.9	
CB85222V100	22	C					270											3240	5.7	
CB85242V100	24	C					240											2880	5.6	
CB85262V100	26	C					240											2880	6.2	
CB85302V100	30	C					210											2520	6.0	
CB85322V100	32	C					180											2160	5.6	
CB85342V100	34	C					180											2160	5.8	
CB85402V100	40	C					150											1800	5.9	
CB85502V100	50	C					120											1440	6.0	
CB85802V100	80	C					60											720	5.1	

PACKING METHOD (包裝方式) :

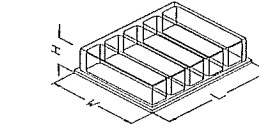
1 PVC BAG (塑膠袋)  
SIZE = L \* W



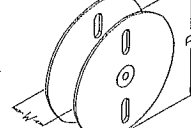
2 TUBE (塑膠管)  
SIZE = L \* W \* H



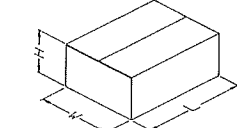
3 PVC TRAY (塑膠盒)  
SIZE = L \* W \* H



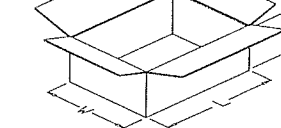
4 REEL (盤)  
SIZE = D \* W




5 BOX (內紙盒)  
SIZE = L \* W \* H



6 INSIDE CARTON (內箱)  
SIZE = L \* W \* H



7 OUTSIDE CARTON (外箱)



PACKING METHOD CODE (包裝方式代碼):

- A = 1 → 7
- B = 2+1 → 7
- C = 3 → 7
- D = 4+1 → 7
- E = 5 → 7
- F = 1 → 6 → 7
- G = 2 → 6 → 7
- H = 3 → 6 → 7

