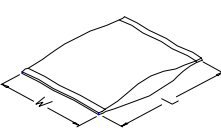
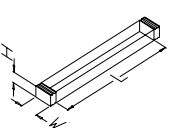
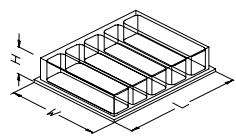
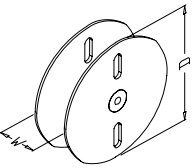
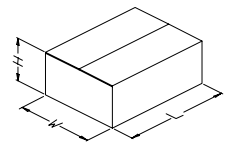
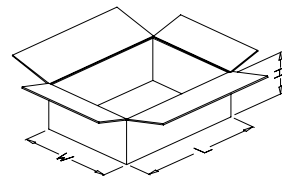
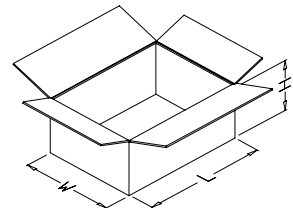


SERIES OR P/N	CIRCUITS	PACKING METHOD CODE	INNER PACKING NO.	INNER PACKING SIZE (CM)			INNER PACKING QTY	INSIDE CARTON NO.	INSIDE CARTON SIZE (CM)			PCS / INSIDE CARTON	CARTON NO.	CARTON SIZE (CM)			PCS / CARTON	G.W REF. (KG)
				L	W	H			L	W	H			L	W	H		
CF2505*D0T0-05	5	G	PACK-TBC061-C	60.00	0.40	0.870	87	PACK-IBC014-C/H	61.70	6.00	10.20	12528	PACK-CTC011-C/H	63.00	15.00	23.00	50112	12.06
CF2506*D0T0-05	6	G	PACK-TBC061-C	60.00	0.40	0.870	81	PACK-IBC014-C/H	61.70	6.00	10.20	11664	PACK-CTC011-C/H	63.00	15.00	23.00	46656	12.68
CF2507*D0T0-05	7	G	PACK-TBC061-C	60.00	0.40	0.870	76	PACK-IBC014-C/H	61.70	6.00	10.20	10944	PACK-CTC011-C/H	63.00	15.00	23.00	43776	13.25
CF2508*D0T0-05	8	G	PACK-TBC061-C	60.00	0.40	0.870	71	PACK-IBC014-C/H	61.70	6.00	10.20	10224	PACK-CTC011-C/H	63.00	15.00	23.00	40896	13.67
CF2509*D0T0-05	9	G	PACK-TBC061-C	60.00	0.40	0.870	67	PACK-IBC014-C/H	61.70	6.00	10.20	9648	PACK-CTC011-C/H	63.00	15.00	23.00	38592	11.48
CF2510*D0T0-05	10	G	PACK-TBC061-C	60.00	0.40	0.870	63	PACK-IBC014-C/H	61.70	6.00	10.20	9072	PACK-CTC011-C/H	63.00	15.00	23.00	36288	11.84
CF2511*D0T0-05	11	G	PACK-TBC061-C	60.00	0.40	0.870	60	PACK-IBC014-C/H	61.70	6.00	10.20	8640	PACK-CTC011-C/H	63.00	15.00	23.00	34560	12.21
CF2512*D0T0-05	12	G	PACK-TBC061-C	60.00	0.40	0.870	57	PACK-IBC014-C/H	61.70	6.00	10.20	8208	PACK-CTC011-C/H	63.00	15.00	23.00	32832	12.51
CF2513*D0T0-05	13	G	PACK-TBC061-C	60.00	0.40	0.870	54	PACK-IBC014-C/H	61.70	6.00	10.20	7776	PACK-CTC011-C/H	63.00	15.00	23.00	31104	12.75
CF2514*D0T0-05	14	G	PACK-TBC061-C	60.00	0.40	0.870	52	PACK-IBC014-C/H	61.70	6.00	10.20	7488	PACK-CTC011-C/H	63.00	15.00	23.00	29952	13.06
CF2515*D0T0-05	15	G	PACK-TBC061-C	60.00	0.40	0.870	49	PACK-IBC014-C/H	61.70	6.00	10.20	7056	PACK-CTC011-C/H	63.00	15.00	23.00	28224	13.19
CF2516*D0T0-05	16	G	PACK-TBC061-C	60.00	0.40	0.870	47	PACK-IBC014-C/H	61.70	6.00	10.20	6768	PACK-CTC011-C/H	63.00	15.00	23.00	27072	13.40
CF2517*D0T0-05	17	G	PACK-TBC061-C	60.00	0.40	0.870	45	PACK-IBC014-C/H	61.70	6.00	10.20	6480	PACK-CTC011-C/H	63.00	15.00	23.00	25920	13.57
CF2518*D0T0-05	18	G	PACK-TBC061-C	60.00	0.40	0.870	44	PACK-IBC014-C/H	61.70	6.00	10.20	6336	PACK-CTC011-C/H	63.00	15.00	23.00	25344	13.87
CF2519*D0T0-05	19	G	PACK-TBC061-C	60.00	0.40	0.870	42	PACK-IBC014-C/H	61.70	6.00	10.20	6048	PACK-CTC011-C/H	63.00	15.00	23.00	24192	13.97
CF2520*D0T0-05	20	G	PACK-TBC061-C	60.00	0.40	0.870	40	PACK-IBC014-C/H	61.70	6.00	10.20	5760	PACK-CTC011-C/H	63.00	15.00	23.00	23040	14.03
CF2521*D0T0-05	21	G	PACK-TBC061-C	60.00	0.40	0.870	39	PACK-IBC014-C/H	61.70	6.00	10.20	5616	PACK-CTC011-C/H	63.00	15.00	23.00	22464	14.24
CF2522*D0T0-05	22	G	PACK-TBC061-C	60.00	0.40	0.870	38	PACK-IBC014-C/H	61.70	6.00	10.20	5472	PACK-CTC011-C/H	63.00	15.00	23.00	21888	14.44
CF2523*D0T0-05	23	G	PACK-TBC061-C	60.00	0.40	0.870	37	PACK-IBC014-C/H	61.70	6.00	10.20	5328	PACK-CTC011-C/H	63.00	15.00	23.00	21312	16.09
CF2524*D0T0-05	24	G	PACK-TBC061-C	60.00	0.40	0.870	36	PACK-IBC014-C/H	61.70	6.00	10.20	5184	PACK-CTC011-C/H	63.00	15.00	23.00	20736	16.30
CF2525*D0T0-05	25	G	PACK-TBC061-C	60.00	0.40	0.870	34	PACK-IBC014-C/H	61.70	6.00	10.20	4896	PACK-CTC011-C/H	63.00	15.00	23.00	19584	16.20
CF2526*D0T0-05	26	G	PACK-TBC061-C	60.00	0.40	0.870	33	PACK-IBC014-C/H	61.70	6.00	10.20	4752	PACK-CTC011-C/H	63.00	15.00	23.00	19008	16.34
CF2527*D0T0-05	27	G	PACK-TBC061-C	60.00	0.40	0.870	32	PACK-IBC014-C/H	61.70	6.00	10.20	4608	PACK-CTC011-C/H	63.00	15.00	23.00	18432	16.46
CF2528*D0T0-05	28	G	PACK-TBC061-C	60.00	0.40	0.870	31	PACK-IBC014-C/H	61.70	6.00	10.20	4464	PACK-CTC011-C/H	63.00	15.00	23.00	17856	16.55
CF2529*D0T0-05	29	G	PACK-TBC061-C	60.00	0.40	0.870	31	PACK-IBC014-C/H	61.70	6.00	10.20	4464	PACK-CTC011-C/H	63.00	15.00	23.00	17856	16.95
CF2530*D0T0-05	30	G	PACK-TBC061-C	60.00	0.40	0.870	30	PACK-IBC014-C/H	61.70	6.00	10.20	4320	PACK-CTC011-C/H	63.00	15.00	23.00	17280	17.01
CF2531*D0T0-05	31	G	PACK-TBC061-C	60.00	0.40	0.870	29	PACK-IBC014-C/H	61.70	6.00	10.20	4176	PACK-CTC011-C/H	63.00	15.00	23.00	16704	17.04

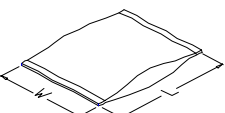
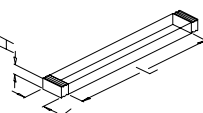
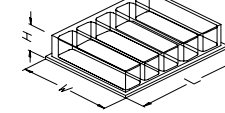
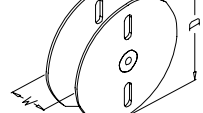
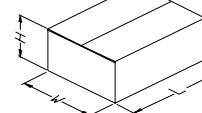

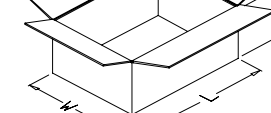
**PACKING METHOD (包裝方式) :**

<p><b>1</b> PVC BAG (塑膠袋) SIZE = L * W</p> 	<p><b>2</b> TUBE (塑膠管) SIZE = L * W * H</p> 	<p><b>3</b> PVC TRAY (塑膠盒) SIZE = L * W * H</p> 	<p><b>4</b> REEL (紙盤) SIZE = D * W</p> 	<p><b>5</b> BOX (內紙盒) SIZE = L * W * H</p> 	<p><b>6</b> INSIDE CARTON (內箱) SIZE = L * W * H</p> 	<p><b>7</b> OUTSIDE CARTON (外箱) SIZE = L * W * H</p> 	<p><b>PACKING METHOD CODE (包裝方式代碼) :</b></p> <ul style="list-style-type: none"> <li><input type="checkbox"/> A = 1 → 7</li> <li><input type="checkbox"/> B = 2 → 7</li> <li><input type="checkbox"/> C = 3 → 7</li> <li><input type="checkbox"/> D = 4 → 7</li> <li><input type="checkbox"/> E = 5 → 7</li> <li><input type="checkbox"/> F = 1 → 6 → 7</li> <li><input checked="" type="checkbox"/> G = (2+1) → 6 → 7</li> <li><input type="checkbox"/> H = 3 → 6 → 7</li> </ul>
---	---	---	--	---	---	--	--



SERIES OR P/N	CIRCUITS	PACKING METHOD CODE	INNER PACKING NO.	INNER PACKING SIZE (CM)			INNER PACKING Q'TY	INSIDE CARTON NO.	INSIDE CARTON SIZE (CM)			PCS / INSIDE CARTON	CARTON NO.	CARTON SIZE (CM)			PCS / CARTON	G.W REF. (KG)
				L	W	H			L	W	H			L	W	H		
CF2532*D0T0-05	32	G	PACK-TBC061-C	60.00	0.40	0.87	28	PACK-IBC014-C/H	61.70	6.00	10.20	4032	PACK-CTC011-C/H	63.00	15.00	23.00	16128	17.04
CF2533*D0T0-05	33	G	PACK-TBC061-C	60.00	0.40	0.87	28	PACK-IBC014-C/H	61.70	6.00	10.20	4032	PACK-CTC011-C/H	63.00	15.00	23.00	16128	17.40
CF2534*D0T0-05	34	G	PACK-TBC061-C	60.00	0.40	0.87	27	PACK-IBC014-C/H	61.70	6.00	10.20	3888	PACK-CTC011-C/H	63.00	15.00	23.00	15552	17.36
CF2535*D0T0-05	35	G	PACK-TBC061-C	60.00	0.40	0.87	26	PACK-IBC014-C/H	61.70	6.00	10.20	3744	PACK-CTC011-C/H	63.00	15.00	23.00	14976	17.30
CF2536*D0T0-05	36	G	PACK-TBC061-C	60.00	0.40	0.87	26	PACK-IBC014-C/H	61.70	6.00	10.20	3744	PACK-CTC011-C/H	63.00	15.00	23.00	14976	16.63
CF2537*D0T0-05	37	G	PACK-TBC061-C	60.00	0.40	0.87	25	PACK-IBC014-C/H	61.70	6.00	10.20	3600	PACK-CTC011-C/H	63.00	15.00	23.00	14400	16.56
CF2538*D0T0-05	38	G	PACK-TBC061-C	60.00	0.40	0.87	25	PACK-IBC014-C/H	61.70	6.00	10.20	3600	PACK-CTC011-C/H	63.00	15.00	23.00	14400	16.89
CF2539*D0T0-05	39	G	PACK-TBC061-C	60.00	0.40	0.87	24	PACK-IBC014-C/H	61.70	6.00	10.20	3456	PACK-CTC011-C/H	63.00	15.00	23.00	13824	16.79
CF2540*D0T0-05	40	G	PACK-TBC061-C	60.00	0.40	0.87	24	PACK-IBC014-C/H	61.70	6.00	10.20	3456	PACK-CTC011-C/H	63.00	15.00	23.00	13824	17.10
CF2541*D0T0-05	41	G	PACK-TBC061-C	60.00	0.40	0.87	23	PACK-IBC014-C/H	61.70	6.00	10.20	3312	PACK-CTC011-C/H	63.00	15.00	23.00	13248	16.96
CF2542*D0T0-05	42	G	PACK-TBC061-C	60.00	0.40	0.87	23	PACK-IBC014-C/H	61.70	6.00	10.20	3312	PACK-CTC011-C/H	63.00	15.00	23.00	13248	17.25
CF2543*D0T0-05	43	G	PACK-TBC061-C	60.00	0.40	0.87	22	PACK-IBC014-C/H	61.70	6.00	10.20	3168	PACK-CTC011-C/H	63.00	15.00	23.00	12672	17.08
CF2544*D0T0-05	44	G	PACK-TBC061-C	60.00	0.40	0.87	22	PACK-IBC014-C/H	61.70	6.00	10.20	3168	PACK-CTC011-C/H	63.00	15.00	23.00	12672	17.36
CF2545*D0T0-05	45	G	PACK-TBC061-C	60.00	0.40	0.87	21	PACK-IBC014-C/H	61.70	6.00	10.20	3024	PACK-CTC011-C/H	63.00	15.00	23.00	12096	17.14
CF2546*D0T0-05	46	G	PACK-TBC061-C	60.00	0.40	0.87	21	PACK-IBC014-C/H	61.70	6.00	10.20	3024	PACK-CTC011-C/H	63.00	15.00	23.00	12096	17.41
CF2547*D0T0-05	47	G	PACK-TBC061-C	60.00	0.40	0.87	20	PACK-IBC014-C/H	61.70	6.00	10.20	2880	PACK-CTC011-C/H	63.00	15.00	23.00	11520	17.16
CF2548*D0T0-05	48	G	PACK-TBC061-C	60.00	0.40	0.87	20	PACK-IBC014-C/H	61.70	6.00	10.20	2880	PACK-CTC011-C/H	63.00	15.00	23.00	11520	17.42
CF2549*D0T0-05	49	G	PACK-TBC061-C	60.00	0.40	0.87	20	PACK-IBC014-C/H	61.70	6.00	10.20	2880	PACK-CTC011-C/H	63.00	15.00	23.00	11520	17.68
CF2550*D0T0-05	50	G	PACK-TBC061-C	60.00	0.40	0.87	19	PACK-IBC014-C/H	61.70	6.00	10.20	2736	PACK-CTC011-C/H	63.00	15.00	23.00	10944	17.37
CF2551*D0T0-05	51	G	PACK-TBC061-C	60.00	0.40	0.87	19	PACK-IBC014-C/H	61.70	6.00	10.20	2736	PACK-CTC011-C/H	63.00	15.00	23.00	10944	17.61
CF2552*D0T0-05	52	G	PACK-TBC061-C	60.00	0.40	0.87	19	PACK-IBC014-C/H	61.70	6.00	10.20	2736	PACK-CTC011-C/H	63.00	15.00	23.00	10944	17.86
CF2553*D0T0-05	53	G	PACK-TBC061-C	60.00	0.40	0.87	18	PACK-IBC014-C/H	61.70	6.00	10.20	2592	PACK-CTC011-C/H	63.00	15.00	23.00	10368	17.50
CF2554*D0T0-05	54	G	PACK-TBC061-C	60.00	0.40	0.87	18	PACK-IBC014-C/H	61.70	6.00	10.20	2592	PACK-CTC011-C/H	63.00	15.00	23.00	10368	17.73
CF2555*D0T0-05	55	G	PACK-TBC061-C	60.00	0.40	0.87	18	PACK-IBC014-C/H	61.70	6.00	10.20	2592	PACK-CTC011-C/H	63.00	15.00	23.00	10368	17.96
CF2556*D0T0-05	56	G	PACK-TBC061-C	60.00	0.40	0.87	18	PACK-IBC014-C/H	61.70	6.00	10.20	2592	PACK-CTC011-C/H	63.00	15.00	23.00	10368	18.20
CF2557*D0T0-05	57	G	PACK-TBC061-C	60.00	0.40	0.87	17	PACK-IBC014-C/H	61.70	6.00	10.20	2448	PACK-CTC011-C/H	63.00	15.00	23.00	9792	17.77
CF2558*D0T0-05	58	G	PACK-TBC061-C	60.00	0.40	0.87	17	PACK-IBC014-C/H	61.70	6.00	10.20	2448	PACK-CTC011-C/H	63.00	15.00	23.00	9792	17.99

PACKING METHOD (包裝方式) :

<p><b>1</b> PVC BAG (塑膠袋) SIZE = L * W</p> 	<p><b>2</b> TUBE (塑膠管) SIZE = L * W * H</p> 	<p><b>3</b> PVC TRAY (塑膠盒) SIZE = L * W * H</p> 	<p><b>4</b> REEL (紙盤) SIZE = D * W</p> 	<p><b>5</b> BOX (紙紙盒) SIZE = L * W * H</p> 	<p><b>6</b> INSIDE CARTON (內箱) SIZE = L * W * H</p> 	<p><b>7</b> OUTSIDE CARTON (外箱) SIZE = L * W * H</p> 	<p>PACKING METHOD CODE (包裝方式代碼) :</p> <p><input type="checkbox"/> A = 1 → 7</p> <p><input type="checkbox"/> B = 2 → 7</p> <p><input type="checkbox"/> C = 3 → 7</p> <p><input type="checkbox"/> D = 4 → 7</p> <p><input type="checkbox"/> E = 5 → 7</p> <p><input type="checkbox"/> F = 1 → 6 → 7</p> <p><input checked="" type="checkbox"/> G = (2+1) → 6 → 7</p> <p><input type="checkbox"/> H = 3 → 6 → 7</p>
---	---	---	--	--	---	--	--



瀚荃股份有限公司  
CviLux Corporation  
PACKING STANDARD

SERIES OR P/N	CIRCUITS	PACKING METHOD CODE	INNER PACKING NO.	INNER PACKING SIZE (CM)			INNER PACKING Q'TY	INSIDE CARTON NO.	INSIDE CARTON SIZE (CM)			PCS / INSIDE CARTON	CARTON NO.	CARTON SIZE (CM)			PCS / CARTON	G.W REF. (KG)
				L	W	H			L	W	H			L	W	H		
CF2559*D0T0-05	59	G	PACK-TBC061-C	60.00	0.40	0.87	17	PACK-IBC014-C/H	61.70	6.00	10.20	2448	PACK-CTC011-C/H	63.00	15.00	23.00	9792	18.88
CF2560*D0T0-05	60	G	PACK-TBC061-C	60.00	0.40	0.87	17	PACK-IBC014-C/H	61.70	6.00	10.20	2448	PACK-CTC011-C/H	63.00	15.00	23.00	9792	19.09
CF2561*D0T0-05	61	G	PACK-TBC061-C	60.00	0.40	0.87	16	PACK-IBC014-C/H	61.70	6.00	10.20	2304	PACK-CTC011-C/H	63.00	15.00	23.00	9216	18.57
CF2562*D0T0-05	62	G	PACK-TBC061-C	60.00	0.40	0.87	16	PACK-IBC014-C/H	61.70	6.00	10.20	2304	PACK-CTC011-C/H	63.00	15.00	23.00	9216	18.78
CF2563*D0T0-05	63	G	PACK-TBC061-C	60.00	0.40	0.87	16	PACK-IBC014-C/H	61.70	6.00	10.20	2304	PACK-CTC011-C/H	63.00	15.00	23.00	9216	18.36
CF2564*D0T0-05	64	G	PACK-TBC061-C	60.00	0.40	0.87	16	PACK-IBC014-C/H	61.70	6.00	10.20	2304	PACK-CTC011-C/H	63.00	15.00	23.00	9216	18.57
CF2565*D0T0-05	65	G	PACK-TBC061-C	60.00	0.40	0.87	15	PACK-IBC014-C/H	61.70	6.00	10.20	2160	PACK-CTC011-C/H	63.00	15.00	23.00	8640	18.01
注:CF25***D0T0-05/-NH、CF25***D0TM-05/-NH依以上相同Pin數包裝量包裝.																		

PACKING METHOD (包裝方式) :

**1** PVC BAG  
(塑膠袋)  
SIZE = L \* W

**2** TUBE  
(塑膠管)  
SIZE = L \* W \* H

**3** PVC TRAY  
(塑膠盒)  
SIZE = L \* W \* H

**4** REEL  
(紙盤)  
SIZE = D \* W

**5** BOX  
(內紙盒)  
SIZE = L \* W \* H

**6** INSIDE CARTON  
(內箱)  
SIZE = L \* W \* H

**7** OUTSIDE CARTON  
(外箱)  
SIZE = L \* W \* H

**PACKING METHOD CODE (包裝方式代碼) :**

- A = 1 → 7
- B = 2 → 7
- C = 3 → 7
- D = 4 → 7
- E = 5 → 7
- F = 1 → 6 → 7
- G = (2+1) → 6 → 7
- H = 3 → 6 → 7