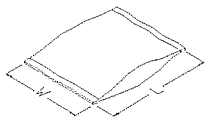


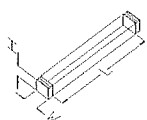
SERIES OR P/N	CIRCUITS	PACKING METHOD CODE	INNER PACKING NO.	INNER PACKING SIZE (CM)			INNER PACKING Q'TY	INSIDE CARTON NO.	INSIDE CARTON SIZE (CM)			PCS / INSIDE CARTON	CARTON NO.	CARTON SIZE (CM)			PCS / CARTON	G.W REF. (KG)
				L / D	W	H			L	W	H			L	W	H		
CB50062P0T0	6	G	PACK-TBC052-C	60	0.74	0.5	99	PACK-IBC014-C	61.7	6.0	10.2	12474	PACK-CTC011-C	63	15	23	49896	8.63
CB50082P0T0	8	G	PACK-TBC052-C	60	0.74	0.5	81	PACK-IBC014-C	61.7	6.0	10.2	10206	PACK-CTC011-C	63	15	23	40824	8.78
CB50102P0T0	10	G	PACK-TBC052-C	60	0.74	0.5	69	PACK-IBC014-C	61.7	6.0	10.2	8694	PACK-CTC011-C	63	15	23	34776	8.89
CB50122P0T0	12	G	PACK-TBC052-C	60	0.74	0.5	60	PACK-IBC014-C	61.7	6.0	10.2	7560	PACK-CTC011-C	63	15	23	30240	8.99
CB50142P0T0	14	G	PACK-TBC052-C	60	0.74	0.5	53	PACK-IBC014-C	61.7	6.0	10.2	6678	PACK-CTC011-C	63	15	23	26712	9.06
CB50162P0T0	16	G	PACK-TBC052-C	60	0.74	0.5	47	PACK-IBC014-C	61.7	6.0	10.2	5922	PACK-CTC011-C	63	15	23	23688	9.09
CB50182P0T0	18	G	PACK-TBC052-C	60	0.74	0.5	43	PACK-IBC014-C	61.7	6.0	10.2	5418	PACK-CTC011-C	63	15	23	21672	9.16
CB50202P0T0	20	G	PACK-TBC052-C	60	0.74	0.5	39	PACK-IBC014-C	61.7	6.0	10.2	4914	PACK-CTC011-C	63	15	23	19656	9.17
CB50222P0T0	22	G	PACK-TBC052-C	60	0.74	0.5	36	PACK-IBC014-C	61.7	6.0	10.2	4536	PACK-CTC011-C	63	15	23	18144	9.20
CB50242P0T0	24	G	PACK-TBC052-C	60	0.74	0.5	33	PACK-IBC014-C	61.7	6.0	10.2	4158	PACK-CTC011-C	63	15	23	16632	9.19
CB50262P0T0	26	G	PACK-TBC052-C	60	0.74	0.5	31	PACK-IBC014-C	61.7	6.0	10.2	3906	PACK-CTC011-C	63	15	23	15624	9.23
CB50282P0T0	28	G	PACK-TBC052-C	60	0.74	0.5	29	PACK-IBC014-C	61.7	6.0	10.2	3654	PACK-CTC011-C	63	15	23	14616	9.25
CB50302P0T0	30	G	PACK-TBC052-C	60	0.74	0.5	28	PACK-IBC014-C	61.7	6.0	10.2	3528	PACK-CTC011-C	63	15	23	14112	9.35
CB50322P0T0	32	G	PACK-TBC052-C	60	0.74	0.5	26	PACK-IBC014-C	61.7	6.0	10.2	3276	PACK-CTC011-C	63	15	23	13104	9.32
CB50342P0T0	34	G	PACK-TBC052-C	60	0.74	0.5	24	PACK-IBC014-C	61.7	6.0	10.2	3024	PACK-CTC011-C	63	15	23	12096	9.26
CB50362P0T0	36	G	PACK-TBC052-C	60	0.74	0.5	23	PACK-IBC014-C	61.7	6.0	10.2	2898	PACK-CTC011-C	63	15	23	11592	9.29
CB50382P0T0	38	G	PACK-TBC052-C	60	0.74	0.5	22	PACK-IBC014-C	61.7	6.0	10.2	2772	PACK-CTC011-C	63	15	23	11088	9.32
CB50402P0T0	40	G	PACK-TBC052-C	60	0.74	0.5	21	PACK-IBC014-C	61.7	6.0	10.2	2646	PACK-CTC011-C	63	15	23	10584	9.34
CB50422P0T0	42	G	PACK-TBC052-C	60	0.74	0.5	20	PACK-IBC014-C	61.7	6.0	10.2	2520	PACK-CTC011-C	63	15	23	10080	9.33
CB50442P0T0	44	G	PACK-TBC052-C	60	0.74	0.5	19	PACK-IBC014-C	61.7	6.0	10.2	2394	PACK-CTC011-C	63	15	23	9576	9.36
CB50462P0T0	46	G	PACK-TBC052-C	60	0.74	0.5	18	PACK-IBC014-C	61.7	6.0	10.2	2268	PACK-CTC011-C	63	15	23	9072	9.28
CB50482P0T0	48	G	PACK-TBC052-C	60	0.74	0.5	17	PACK-IBC014-C	61.7	6.0	10.2	2142	PACK-CTC011-C	63	15	23	8568	9.24
CB50502P0T0	50	G	PACK-TBC052-C	60	0.74	0.5	17	PACK-IBC014-C	61.7	6.0	10.2	2142	PACK-CTC011-C	63	15	23	8568	9.36
CB50522P0T0	52	G	PACK-TBC052-C	60	0.74	0.5	16	PACK-IBC014-C	61.7	6.0	10.2	2016	PACK-CTC011-C	63	15	23	8064	9.29
CB50542P0T0	54	G	PACK-TBC052-C	60	0.74	0.5	16	PACK-IBC014-C	61.7	6.0	10.2	2016	PACK-CTC011-C	63	15	23	8064	9.41
CB50562P0T0	56	G	PACK-TBC052-C	60	0.74	0.5	15	PACK-IBC014-C	61.7	6.0	10.2	1890	PACK-CTC011-C	63	15	23	7560	9.32
CB50582P0T0	58	G	PACK-TBC052-C	60	0.74	0.5	15	PACK-IBC014-C	61.7	6.0	10.2	1890	PACK-CTC011-C	63	15	23	7560	9.43

PACKING METHOD (包裝方式) :

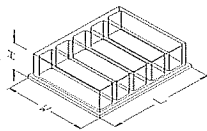
1 PVC BAG (塑膠袋)  
SIZE = L \* W



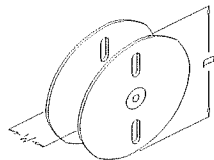
2 TUBE (塑膠管)  
SIZE = L \* W \* H



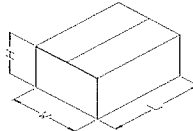
3 PVC TRAY (塑膠盒)  
SIZE = L \* W \* H



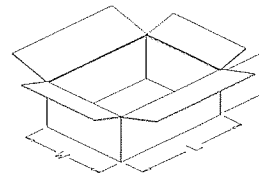
4 REEL (紙盤)  
SIZE = D \* W



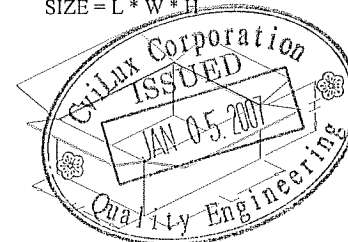
5 BOX (內紙盒)  
SIZE = L \* W \* H



6 INSIDE CARTON (內箱)  
SIZE = L \* W \* H



7 OUTSIDE CARTON (外箱)  
SIZE = L \* W \* H



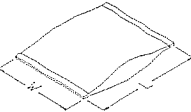
PACKING METHOD CODE (包裝方式代碼) :

- A = 1 → 7
- B = 2 → 7
- C = 3 → 7
- D = 4 → 7
- E = 5 → 7
- F = 1 → 6 → 7
- G = 2 → 6 → 7
- H = 3 → 6 → 7

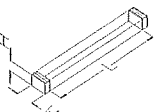
SERIES OR P/N	CIRCUITS	PACKING METHOD CODE	INNER PACKING NO.	INNER PACKING SIZE (CM)			INNER PACKING Q'TY	INSIDE CARTON NO.	INSIDE CARTON SIZE (CM)			PCS / INSIDE CARTON	CARTON NO.	CARTON SIZE (CM)			PCS / CARTON	G.W REF. (KG)
				L / D	W	H			L	W	H			L	W	H		
CB50602P0T0	60	G	PACK-TBC052-C	60.0	0.74	0.5	14	PACK-IBC014-C	61.7	6.0	10.2	1764	PACK-CTC011-C	63	15	23	7056	9.32
CB50622P0T0	62	G	PACK-TBC052-C	60.0	0.74	0.5	14	PACK-IBC014-C	61.7	6.0	10.2	1764	PACK-CTC011-C	63	15	23	7056	9.42
CB50642P0T0	64	G	PACK-TBC052-C	60.0	0.74	0.5	13	PACK-IBC014-C	61.7	6.0	10.2	1638	PACK-CTC011-C	63	15	23	6552	9.29
CB50662P0T0	66	G	PACK-TBC052-C	60.0	0.74	0.5	13	PACK-IBC014-C	61.7	6.0	10.2	1638	PACK-CTC011-C	63	15	23	6552	9.38
CB50682P0T0	68	G	PACK-TBC052-C	60.0	0.74	0.5	12	PACK-IBC014-C	61.7	6.0	10.2	1512	PACK-CTC011-C	63	15	23	6048	9.23
CB50702P0T0	70	G	PACK-TBC052-C	60.0	0.74	0.5	12	PACK-IBC014-C	61.7	6.0	10.2	1512	PACK-CTC011-C	63	15	23	6048	9.31
CB50722P0T0	72	G	PACK-TBC052-C	60.0	0.74	0.5	12	PACK-IBC014-C	61.7	6.0	10.2	1512	PACK-CTC011-C	63	15	23	6048	9.51
CB50742P0T0	74	G	PACK-TBC052-C	60.0	0.74	0.5	11	PACK-IBC014-C	61.7	6.0	10.2	1386	PACK-CTC011-C	63	15	23	5544	9.22
CB50762P0T0	76	G	PACK-TBC052-C	60.0	0.74	0.5	11	PACK-IBC014-C	61.7	6.0	10.2	1386	PACK-CTC011-C	63	15	23	5544	9.30
CB50782P0T0	78	G	PACK-TBC052-C	60.0	0.74	0.5	11	PACK-IBC014-C	61.7	6.0	10.2	1386	PACK-CTC011-C	63	15	23	5544	9.38
CB50802P0T0	80	G	PACK-TBC052-C	60.0	0.74	0.5	11	PACK-IBC014-C	61.7	6.0	10.2	1386	PACK-CTC011-C	63	15	23	5544	9.46
CB50822P0T0	82	G	PACK-TBC052-C	60.0	0.74	0.5	10	PACK-IBC014-C	61.7	6.0	10.2	1260	PACK-CTC011-C	63	15	23	5040	9.24
CB50842P0T0	84	G	PACK-TBC052-C	60.0	0.74	0.5	10	PACK-IBC014-C	61.7	6.0	10.2	1260	PACK-CTC011-C	63	15	23	5040	9.31
CB50862P0T0	86	G	PACK-TBC052-C	60.0	0.74	0.5	10	PACK-IBC014-C	61.7	6.0	10.2	1260	PACK-CTC011-C	63	15	23	5040	9.38
CB50882P0T0	88	G	PACK-TBC052-C	60.0	0.74	0.5	10	PACK-IBC014-C	61.7	6.0	10.2	1260	PACK-CTC011-C	63	15	23	5040	9.45
CB50902P0T0	90	G	PACK-TBC052-C	60.0	0.74	0.5	9	PACK-IBC014-C	61.7	6.0	10.2	1134	PACK-CTC011-C	63	15	23	4536	9.20
CB50922P0T0	92	G	PACK-TBC052-C	60.0	0.74	0.5	9	PACK-IBC014-C	61.7	6.0	10.2	1134	PACK-CTC011-C	63	15	23	4536	9.26
CB50942P0T0	94	G	PACK-TBC052-C	60.0	0.74	0.5	9	PACK-IBC014-C	61.7	6.0	10.2	1134	PACK-CTC011-C	63	15	23	4536	9.33
CB50962P0T0	96	G	PACK-TBC052-C	60.0	0.74	0.5	9	PACK-IBC014-C	61.7	6.0	10.2	1134	PACK-CTC011-C	63	15	23	4536	9.39
CB50982P0T0	98	G	PACK-TBC052-C	60.0	0.74	0.5	9	PACK-IBC014-C	61.7	6.0	10.2	1134	PACK-CTC011-C	63	15	23	4536	9.46
CB50X12P0T0	100	G	PACK-TBC052-C	60.0	0.74	0.5	9	PACK-IBC014-C	61.7	6.0	10.2	1134	PACK-CTC011-C	63	15	23	4536	9.52

**PACKING METHOD (包裝方式) :**

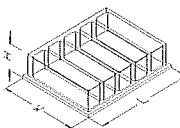
**1** PVC BAG  
(塑膠袋)  
SIZE = L \* W



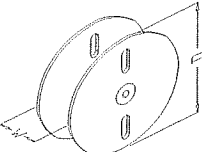
**2** UBE  
(塑膠管)  
SIZE = L \* W \* H



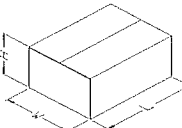
**3** PVC TRAY  
(塑膠盒)  
SIZE = L \* W \* H



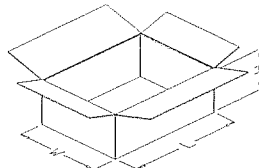
**4** REEL  
(紙盤)  
SIZE = D \* W



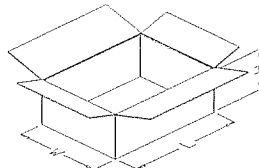
**5** BOX  
(內紙盒)  
SIZE = L \* W \* H



**6** INSIDE CARTON  
(內箱)  
SIZE = L \* W \* H



**7** OUTSIDE CARTON  
(外箱)  
SIZE = L \* W \* H



**PACKING METHOD CODE (包裝方式代碼) :**

- A = 1 → 7
- B = 2 → 7
- C = 3 → 7
- D = 4 → 7
- E = 5 → 7
- F = 1 → 6 → 7
- G = 2 → 6 → 7
- H = 3 → 6 → 7

