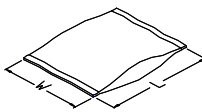
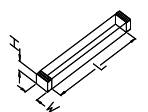
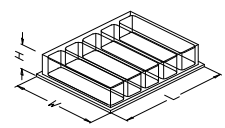
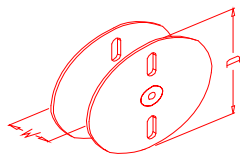
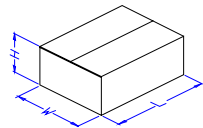
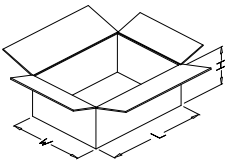
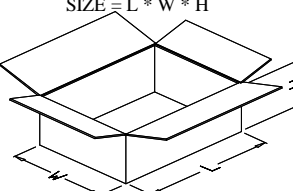




SERIES OR P/N	CIRCUITS	PACKING METHOD CODE	INNER PACKING NO.	INNER PACKING SIZE (CM)			INNER PACKING QTY	INSIDE CARTON NO.	INSIDE CARTON SIZE (CM)			PCS / INSIDE CARTON	CARTON NO.	CARTON SIZE (CM)			PCS / CARTON	G.W REF. (KG)
				L/D	W	H			L	W	H			L	W	H		
CF0804*H*R0/-LF	4	D	PACK-CRCB30-C	-	2.4	-	2000	PACK-RLCB01-C	-	2.45	-	2000	PACK-CTC018/34-C/H	35.0	35.0	32.0	18000	8.40
CF0805*H*R0/-LF	5	D	PACK-CRCB97-C	-	2.4	-	2000	PACK-RLCB01-C	-	2.45	-	2000	PACK-CTC018/34-C/H	35.0	35.0	32.0	18000	9.36
CF0806*H*R0/-LF	6	D	PACK-CRCB70-C	-	2.4	-	2000	PACK-RLCB01-C	-	2.45	-	2000	PACK-CTC018/34-C/H	35.0	35.0	32.0	18000	10.32
CF0807*H*R0/-LF	7	D	PACK-CRCB111-C	-	2.4	-	2000	PACK-RLCB01-C	-	2.45	-	2000	PACK-CTC018/34-C/H	35.0	35.0	32.0	18000	11.28
CF0808*H*R0/-LF	8	D	PACK-CRCB37-C	-	2.4	-	2000	PACK-RLCB01-C	-	2.45	-	2000	PACK-CTC018/34-C/H	35.0	35.0	32.0	18000	12.24
CF0809*H*R0/-LF	9	D	PACK-CRCC73-C	-	3.2	-	2000	PACK-RLCC01-C	-	2.45	-	2000	PACK-CTC018/34-C/H	35.0	35.0	32.0	14000	13.20
CF0810*H*R0/-LF	10	D	PACK-CRCC36-C	-	3.2	-	2000	PACK-RLCC01-C	-	3.25	-	2000	PACK-CTC018/34-C/H	35.0	35.0	32.0	14000	12.64
CF0811*H*R0/-LF	11	D	PACK-CRCC18-C	-	3.2	-	2000	PACK-RLCC01-C	-	3.25	-	2000	PACK-CTC018/34-C/H	35.0	35.0	32.0	14000	13.48
CF0812*H*R0/-LF	12	D	PACK-CRCC93-C	-	3.2	-	2000	PACK-RLCC01-C	-	3.25	-	2000	PACK-CTC018/34-C/H	35.0	35.0	32.0	14000	14.32
CF0813*H*R0/-LF	13	D	PACK-CRCC54-C	-	3.2	-	2000	PACK-RLCC01-C	-	3.25	-	2000	PACK-CTC018/34-C/H	35.0	35.0	32.0	14000	15.16
CF0814*H*R0/-LF	14	D	PACK-CRCC53-C/03/49-H	-	3.2	-	2000	PACK-RLCC01-C	-	3.25	-	2000	PACK-CTC018/34-C/H	35.0	35.0	32.0	14000	16.00
CF0815*H*R0/-LF	15	D	PACK-CRCD07-C	-	4.4	-	2000	PACK-RLCD01-C	-	4.45	-	2000	PACK-CTC018/34-C/H	35.0	35.0	32.0	10000	12.60
CF0816*H*R0/-LF	16	D	PACK-CRCD15-C	-	4.4	-	2000	PACK-RLCD01-C	-	4.45	-	2000	PACK-CTC018/34-C/H	35.0	35.0	32.0	10000	13.20
CF0817*H*R0/-LF	17	D	PACK-CRCD14-C	-	4.4	-	2000	PACK-RLCD01-C	-	4.45	-	2000	PACK-CTC018/34-C/H	35.0	35.0	32.0	10000	13.80
CF0818*H*R0/-LF	18	D	PACK-CRCD36-C	-	4.4	-	2000	PACK-RLCD01-C	-	4.45	-	2000	PACK-CTC018/34-C/H	35.0	35.0	32.0	10000	14.40
CF0819*H*R0/-LF	19	D	PACK-CRCD108-C	-	4.4	-	2000	PACK-RLCD01-C	-	4.45	-	2000	PACK-CTC018/34-C/H	35.0	35.0	32.0	10000	15.00
CF0820*H*R0/-LF	20	D	PACK-CRCD37-C	-	4.4	-	2000	PACK-RLCD01-C	-	4.45	-	2000	PACK-CTC018/34-C/H	35.0	35.0	32.0	10000	15.60
CF0821*H*R0/-LF	21	D	PACK-CRCD161-C	-	4.4	-	2000	PACK-RLCD01-C	-	4.45	-	2000	PACK-CTC018/34-C/H	35.0	35.0	32.0	10000	16.20
CF0822*H*R0/-LF	22	D	PACK-CRCD40-C	-	4.4	-	2000	PACK-RLCD01-C	-	4.45	-	2000	PACK-CTC018/34-C/H	35.0	35.0	32.0	10000	16.80
CF0823*H*R0/-LF	23	D	PACK-CRCD**C	-	4.4	-	2000	PACK-RLCD01-C	-	4.45	-	2000	PACK-CTC018/34-C/H	35.0	35.0	32.0	10000	17.40
CF0824*H*R0/-LF	24	D	PACK-CRCD79-C	-	4.4	-	2000	PACK-RLCD01-C	-	4.45	-	2000	PACK-CTC018/34-C/H	35.0	35.0	32.0	10000	18.00
CF0825*H*R0/-LF	25	D	PACK-CRCD95-C	-	4.4	-	2000	PACK-RLCD01-C	-	4.45	-	2000	PACK-CTC018/34-C/H	35.0	35.0	32.0	10000	18.60
CF0826*H*R0/-LF	26	D	PACK-CRCE19-C	-	4.4	-	2000	PACK-RLCE01-C	-	4.45	-	2000	PACK-CTC018/34-C/H	35.0	35.0	32.0	8000	19.20
CF0827*H*R0/-LF	27	D	PACK-CRCE20-C	-	4.4	-	2000	PACK-RLCE01-C	-	4.45	-	2000	PACK-CTC018/34-C/H	35.0	35.0	32.0	8000	19.80
CF0828*H*R0/-LF	28	D	PACK-CRCE63-C	-	5.6	-	2000	PACK-RLCE01-C	-	5.65	-	2000	PACK-CTC018/34-C/H	35.0	35.0	32.0	8000	16.72
CF0829*H*R0/-LF	29	D	PACK-CRCE74-C	-	5.6	-	2000	PACK-RLCE01-C	-	5.65	-	2000	PACK-CTC018/34-C/H	35.0	35.0	32.0	8000	17.20
CF0830*H*R0/-LF	30	D	PACK-CRCE05-C	-	5.6	-	2000	PACK-RLCE01-C	-	5.65	-	2000	PACK-CTC018/34-C/H	35.0	35.0	32.0	8000	17.68
CF0831*H*R0/-LF	31	D	PACK-CRCE**C	-	5.6	-	2000	PACK-RLCE01-C	-	5.65	-	2000	PACK-CTC018/34-C/H	35.0	35.0	32.0	8000	18.16
CF0832*H*R0/-LF	32	D	PACK-CRCE48-C/06/04-H	-	5.6	-	2000	PACK-RLCE01-C	-	5.65	-	2000	PACK-CTC018/34-C/H	35.0	35.0	32.0	8000	18.64

註：塑膠盤先用塑膠袋(PACK-PBC014 不打孔)裝好后再裝入外箱。外箱中有保麗龍 (PACK-PPC001-C)兩塊 隔板 (PACK-STC001-C)四個。

PACKING METHOD (包裝方式)：

<p>1 PVC BAG (塑膠袋) SIZE = L * W</p> 	<p>2 UBE (塑膠管) SIZE = L * W * H</p> 	<p>3 PVC TRAY (塑膠盒) SIZE = L * W * H</p> 	<p>4 REEL (盤) SIZE = D * W</p> 	<p>5 BOX (內紙盒) SIZE = L * W * H</p> 	<p>6 INSIDE CARTON (內箱) SIZE = L * W * H</p> 	<p>7 OUTSIDE CARTON (外箱) SIZE = L * W * H</p> 	<p>PACKING METHOD CODE (包裝方式代碼)：</p> <ul style="list-style-type: none"> <input type="checkbox"/> A = 1 → 7 <input type="checkbox"/> B = 2 → 7 <input type="checkbox"/> C = 3 → 7 <input checked="" type="checkbox"/> D = (4+1) → 7 (4+1)(Vacuumed Packing) <input type="checkbox"/> E = 5 → 7 <input type="checkbox"/> F = 1 → 6 → 7 <input type="checkbox"/> G = (2+1) → 6 → 7 <input type="checkbox"/> H = 3 → 6 → 7
--	--	---	---	--	---	--	--

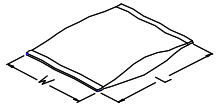
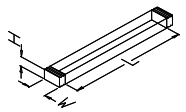
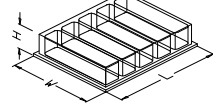
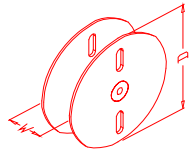
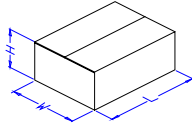
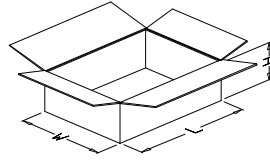
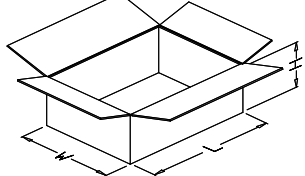


SERIES OR P/N	CIRCUITS	PACKING METHOD CODE	INNER PACKING NO.	INNER PACKING SIZE (CM)			INNER PACKING QTY	INSIDE CARTON NO.	INSIDE CARTON SIZE (CM)			PCS / INSIDE CARTON	CARTON NO.	CARTON SIZE (CM)			PCS / CARTON	G.W REF. (KG)
				L	D	W			L	W	H			L	W	H		
CF08041H*RP/-LF/-A	4	D	PACK-CRCB30-C/113-NH-H	-	2.4	-	2000	PACK-RLCB00-C/01-NH-H	-	2.45	-	2000	PACK-CTC018/34-C/H	35.0	35.0	32.0	18000	8.40
CF08051H*RP/-LF/-A	5	D	PACK-CRCB37-C	-	2.4	-	2000	PACK-RLCB01-C	-	2.45	-	2000	PACK-CTC018/34-C/H	35.0	35.0	32.0	18000	9.36
CF08061H*RP/-LF/-A	6	D	PACK-CRCB70-C/114-NH-H	-	2.4	-	2000	PACK-RLCB00-C/01-NH-H	-	2.45	-	2000	PACK-CTC018/34-C/H	35.0	35.0	32.0	18000	10.32
CF08071H*RP/-LF/-A	7	D	PACK-CRCB111-C	-	2.4	-	2000	PACK-RLCB01-C	-	2.45	-	2000	PACK-CTC018/34-C/H	35.0	35.0	32.0	18000	11.28
CF08081H*RP/-LF/-A	8	D	PACK-CRCB37-C/115-NH-H	-	2.4	-	2000	PACK-RLCB00-C/01-NH-H	-	2.45	-	2000	PACK-CTC018/34-C/H	35.0	35.0	32.0	18000	12.24
CF08091H*RP/-LF/-A	9	D	PACK-CRCB***-C	-	2.4	-	2000	PACK-RLCB01-C	-	2.45	-	2000	PACK-CTC018/34-C/H	35.0	35.0	32.0	18000	13.20
CF08101H*RP/-LF/-A	10	D	PACK-CRCB219-C/105-H	-	2.4	-	2000	PACK-RLCB00-C/01-NH-H	-	3.25	-	2000	PACK-CTC018/34-C/H	35.0	35.0	32.0	18000	12.64
CF08111H*RP/-LF/-A	11	D	PACK-CRCC18-C	-	3.2	-	2000	PACK-RLCC01-C	-	3.25	-	2000	PACK-CTC018/34-C/H	35.0	35.0	32.0	14000	13.48
CF08121H*RP/-LF/-A	12	D	PACK-CRCC93-C/66-NH-H	-	3.2	-	2000	PACK-RLCC00-C/01-NH-H	-	3.25	-	2000	PACK-CTC018/34-C/H	35.0	35.0	32.0	14000	14.32
CF08131H*RP/-LF/-A	13	D	PACK-CRCC54-C	-	3.2	-	2000	PACK-RLCC01-C	-	3.25	-	2000	PACK-CTC018/34-C/H	35.0	35.0	32.0	14000	15.16
CF08141H*RP/-LF/-A	14	D	PACK-CRCC53-C	-	3.2	-	2000	PACK-RLCC01-C	-	3.25	-	2000	PACK-CTC018/34-C/H	35.0	35.0	32.0	14000	16.00
CF08151H*RP/-LF/-A	15	D	PACK-CRCD07-C	-	4.4	-	2000	PACK-RLCD01-C	-	4.45	-	2000	PACK-CTC018/34-C/H	35.0	35.0	32.0	10000	12.60
CF08161H*RP/-LF/-A	16	D	PACK-CRCD15-C	-	4.4	-	2000	PACK-RLCD01-C	-	4.45	-	2000	PACK-CTC018/34-C/H	35.0	35.0	32.0	10000	13.20
CF08171H*RP/-LF/-A	17	D	PACK-CRCD14-C	-	4.4	-	2000	PACK-RLCD01-C	-	4.45	-	2000	PACK-CTC018/34-C/H	35.0	35.0	32.0	10000	13.80
CF08181H*RP/-LF/-A	18	D	PACK-CRCD36-C	-	4.4	-	2000	PACK-RLCD01-C	-	4.45	-	2000	PACK-CTC018/34-C/H	35.0	35.0	32.0	10000	14.40
CF08191H*RP/-LF/-A	19	D	PACK-CRCD108-C	-	4.4	-	2000	PACK-RLCD01-C	-	4.45	-	2000	PACK-CTC018/34-C/H	35.0	35.0	32.0	10000	15.0
CF08201H*RP/-LF/-A	20	D	PACK-CRCD37-C	-	4.4	-	2000	PACK-RLCD01-C	-	4.45	-	2000	PACK-CTC018/34-C/H	35.0	35.0	32.0	10000	15.60
CF08211H*RP/-LF/-A	21	D	PACK-CRCD***	-	4.4	-	2000	PACK-RLCD01-C	-	4.45	-	2000	PACK-CTC018/34-C/H	35.0	35.0	32.0	10000	16.20
CF08221H*RP/-LF/-A	22	D	PACK-CRCD40-C	-	4.4	-	2000	PACK-RLCD01-C	-	4.45	-	2000	PACK-CTC018/34-C/H	35.0	35.0	32.0	10000	16.80
CF08231H*RP/-LF/-A	23	D	PACK-CRCD***-C	-	4.4	-	2000	PACK-RLCD01-C	-	4.45	-	2000	PACK-CTC018/34-C/H	35.0	35.0	32.0	10000	17.40
CF08241H*RP/-LF/-A	24	D	PACK-CRCD79-C	-	4.4	-	2000	PACK-RLCD01-C	-	4.45	-	2000	PACK-CTC018/34-C/H	35.0	35.0	32.0	10000	18.00
CF08251H*RP/-LF/-A	25	D	PACK-CRCD95-C	-	4.4	-	2000	PACK-RLCD01-C	-	4.45	-	2000	PACK-CTC018/34-C/H	35.0	35.0	32.0	10000	18.60
CF08261H*RP/-LF/-A	26	D	PACK-CRCE19-C	-	5.6	-	2000	PACK-RLCE01-C	-	5.65	-	2000	PACK-CTC018/34-C/H	35.0	35.0	32.0	8000	19.20
CF08271H*RP/-LF/-A	27	D	PACK-CRCE20-C	-	5.6	-	2000	PACK-RLCE01-C	-	5.65	-	2000	PACK-CTC018/34-C/H	35.0	35.0	32.0	8000	19.80
CF08281H*RP/-LF/-A	28	D	PACK-CRCE**C	-	5.6	-	2000	PACK-RLCE01-C	-	5.65	-	2000	PACK-CTC018/34-C/H	35.0	35.0	32.0	8000	16.72
CF08291H*RP/-LF/-A	29	D	PACK-CRCE**C	-	5.6	-	2000	PACK-RLCE01-C	-	5.65	-	2000	PACK-CTC018/34-C/H	35.0	35.0	32.0	8000	17.20
CF08301H*RP/-LF/-A	30	D	PACK-CRCE05-C	-	5.6	-	2000	PACK-RLCE01-C	-	5.65	-	2000	PACK-CTC018/34-C/H	35.0	35.0	32.0	8000	17.68
CF08311H*RP/-LF/-A	31	D	PACK-CRCE**C	-	5.6	-	2000	PACK-RLCE01-C	-	5.65	-	2000	PACK-CTC018/34-C/H	35.0	35.0	32.0	8000	18.16
CF08321H*RP/-LF/-A	32	D	PACK-CRCE33-C	-	5.6	-	2000	PACK-RLCE01-C	-	5.65	-	2000	PACK-CTC018/34-C/H	35.0	35.0	32.0	8000	18.64

註：塑膠盤先用塑膠袋(PACK-PBC014 不穿孔)裝好后再裝入外箱。

外箱中有保麗龍 (PACK-PPC001-C)兩塊 隔板 (PACK-STC001-C)四個。

PACKING METHOD (包裝方式) :

<p>1 PVC BAG (塑膠袋) SIZE = L * W</p> 	<p>2 TUBE (塑膠管) SIZE = L * W * H</p> 	<p>3 PVC TRAY (塑膠盒) SIZE = L * W * H</p> 	<p>4 REEL (盤) SIZE = D * W</p> 	<p>5 BOX (內紙盒) SIZE = L * W * H</p> 	<p>6 INSIDE CARTON (內箱) SIZE = L * W * H</p> 	<p>7 OUTSIDE CARTON (外箱) SIZE = L * W * H</p> 	<p>PACKING METHOD CODE (包裝方式代碼):</p> <ul style="list-style-type: none"> <input type="checkbox"/> A = 1 → 7 <input type="checkbox"/> B = 2 → 7 <input type="checkbox"/> C = 3 → 7 <input checked="" type="checkbox"/> D = (4+1) → 7 (4+1)(Vacuumed Packing) <input type="checkbox"/> E = 5 → 7 <input type="checkbox"/> F = 1 → 6 → 7 <input type="checkbox"/> G = (2+1) → 6 → 7 <input type="checkbox"/> H = 3 → 6 → 7
---	--	--	--	---	--	---	--



文件編號：CI15F084 (3 of 3)

版 別：9



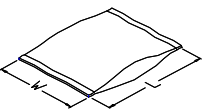
瀚萃股份有限公司
CviLux Corporation
PACKING STANDARD

製訂日期：2014/04/02

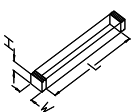
SERIES OR P/N	CIRCUITS	PACKING METHOD CODE	INNER PACKING NO.	INNER PACKING SIZE (CM)			INNER PACKING QTY	INSIDE CARTON NO.	INSIDE CARTON SIZE (CM)			PCS / INSIDE CARTON	CARTON NO.	CARTON SIZE (CM)			PCS / CARTON	G.W REF. (KG)
				L/D	W	H			L	W	H			L	W	H		
CF0820*H*R0-A	20	D	PACK-CRCD37-C	-	4.4	-	2000	PACK-RLCD01-C	-	4.45	-	2000	PACK-CTC018/34-C/H	35.0	35.0	32.0	10000	15.60
CF0830*H*R0-A	30	D	PACK-CRCE05-C	-	5.6	-	2000	PACK-RLCE01-C	-	5.65	-	2000	PACK-CTC018/34-C/H	35.0	35.0	32.0	8000	17.68
CF0832*H*R0-A	32	D	PACK-CRCE33-C	-	5.6	-	2000	PACK-RLCE01-C	-	5.65	-	2000	PACK-CTC018/34-C/H	35.0	35.0	32.0	8000	18.64
註: 塑膠盤先用塑膠袋(PACK-PBC014 不打孔) 裝好后再裝入外箱.																		
外箱中有保麗龍 (PACK-PPC001-C)兩塊 隔板 (PACK-STC001-C)四個.																		
CF0804*H*RC-LF	4	D	PACK-CRCB30-C	-	2.4	-	2000	PACK-RLCB00	-	2.45	-	2000	PACK-CTC018/34-C/H	35.0	35.0	32.0	18000	8.40

PACKING METHOD (包裝方式):

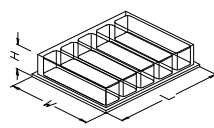
1 PVC BAG
(塑膠袋)
SIZE = L * W



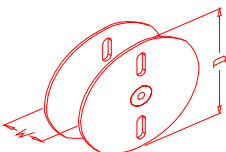
2 TUBE
(塑膠管)
SIZE = L * W * H



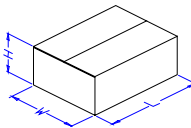
3 PVC TRAY
(塑膠盒)
SIZE = L * W * H



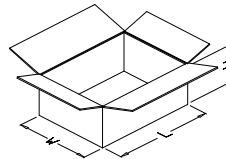
4 REEL
(盤)
SIZE = D * W



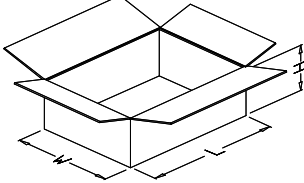
5 BOX
(內紙盒)
SIZE = L * W * H



6 INSIDE CARTON
(內箱)
SIZE = L * W * H



7 OUTSIDE CARTON
(外箱)
SIZE = L * W * H



- PACKING METHOD CODE (包裝方式代碼):
- A = 1 → 7
 - B = 2 → 7
 - C = 3 → 7
 - D = (4+1) → 7
(4+1)(Vacuumed Packing)
 - E = 5 → 7
 - F = 1 → 6 → 7
 - G = (2+1) → 6 → 7
 - H = 3 → 6 → 7

核准：JACKAL

審核：MAVIS

製訂：伍曉紅