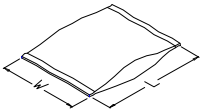
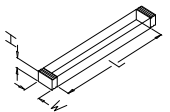
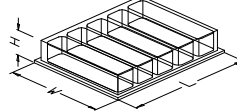
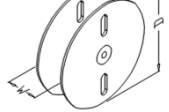
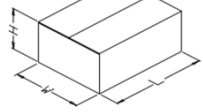




SERIES OR P/N	CIRCUITS	PACKING METHOD CODE	INNER PACKING NO.	INNER PACKING SIZE (CM)			INNER PACKING QTY	INSIDE CARTON NO.	INSIDE CARTON SIZE (CM)			PCS / INSIDE CARTON	CARTON NO.	CARTON SIZE (CM)			PCS / CARTON	G.W REF. (KG)
				L	W	H			L	W	H			L	W	H		
CI4202M*HR0/1-NH	2	D	PACK-CRCA23-NH-Q	-	1.6	-	1500					PACK-CTC034-NH-Q	35.0	35.0	32.0	16500		
CI4203M*HR0-NH	3	D	PACK-CRCA25-NH-Q	-	1.6	-	1500					PACK-CTC034-NH-Q	35.0	35.0	32.0	16500		
CI4204M*HR0/1-NH	4	D	PACK-CRCB112-NH-Q	-	2.4	-	1500					PACK-CTC034-NH-Q	35.0	35.0	32.0	13500		
CI4204M*HR0-A-NH	4	D	PACK-CRCB004-Q	-	2.4	-	2000					PACK-CTC034-NH-Q	35.0	35.0	32.0	18000		
CI4205M*HR0/1-NH	5	D	PACK-CRCB90-NH-Q	-	2.4	-	1500					PACK-CTC034-NH-Q	35.0	35.0	32.0	13500		
CI4205M*HG1-NH	5	D	PACK-CRCB013-NH-Q	-	2.4	-	1500					PACK-CTC034-NH-Q	35.0	35.0	32.0	13500		
CI4206M*HR0-NH	6	D	PACK-CRCB128-NH-Q	-	2.4	-	1500					PACK-CTC034-NH-Q	35.0	35.0	32.0	13500		
CI4206M*HG0-NH	6	D	PACK-CRCB009-NH-Q	-	2.4	-	1500					PACK-CTC034-NH-Q	35.0	35.0	32.0	13500		
CI4207M*HR0/1-NH	7	D	PACK-CRCB81-NH-Q	-	2.4	-	1500					PACK-CTC034-NH-Q	35.0	35.0	32.0	13500		
CI4208M*HR0-NH	8	D	PACK-CRCB129-NH-Q	-	2.4	-	1500					PACK-CTC034-NH-Q	35.0	35.0	32.0	13500		
CI4209M*HR0-NH	9	D	PACK-CRCB160-NH-Q	-	2.4	-	1500					PACK-CTC034-NH-Q	35.0	35.0	32.0	13500		
CI4210M*HR0/1-NH	10	D	PACK-CRCC60-NH-Q	-	3.2	-	1500					PACK-CTC034-NH-Q	35.0	35.0	32.0	10500		
CI4212M*HR1-NH	12	D	PACK-CRCD135-NH-Q	-	4.4	-	1500					PACK-CTC034-NH-Q	35.0	35.0	32.0	7500		
CI4204M*HRA-NH	4	D	PACK-CRCB528-NH-Q	-	2.4	-	2000					PACK-CTC034-NH-Q	35.0	35.0	32.0	18000		
CI4204M*HGA-NH	4	D	PACK-CRCB007-NH-Q	-	2.4	-	2000					PACK-CTC034-NH-Q	35.0	35.0	32.0	18000		
CI4204M2HGA-NH	4	D	PACK-CRCA028-NH-Q	-	1.6	-	2000					PACK-CTC034-NH-Q	35.0	35.0	32.0	22000		
CI4208M*HRA-NH	8	D	PACK-CRCB540-NH-Q	-	2.4	-	2000					PACK-CTC034-NH-Q	35.0	35.0	32.0	18000		
CI4210M*HRA-NH	10	D	PACK-CRCC195-NH-Q	-	3.2	-	2000					PACK-CTC034-NH-Q	35.0	35.0	32.0	14000		
CI4202M*HRD-NH	2	D	PACK-CRCA139-NH-Q	-	1.6	-	2000					PACK-CTC034-NH-Q	35.0	35.0	32.0	22000		
CI4203M*HRD-NH	3	D	PACK-CRCA226-NH-Q	-	1.6	-	2000					PACK-CTC034-NH-Q	35.0	35.0	32.0	22000		
CI4204M*HRD-NH	4	D	PACK-CRCB528-NH-Q	-	2.4	-	2000					PACK-CTC034-NH-Q	35.0	35.0	32.0	18000		
CI4205M*HRD-NH/NH1	5	D	PACK-CRCB539-NH-Q	-	2.4	-	2000					PACK-CTC034-NH-Q	35.0	35.0	32.0	18000		
CI4206M*HRD-NH	6	D	PACK-CRCB527-NH-Q	-	2.4	-	2000					PACK-CTC034-NH-Q	35.0	35.0	32.0	18000		
CI4208M*HRD-NH	8	D	PACK-CRCB540-NH-Q	-	2.4	-	2000					PACK-CTC034-NH-Q	35.0	35.0	32.0	18000		

注：塑膠盤先用塑膠袋 (PACK-PBC013-NH-Q不穿孔) 裝好后再裝入外箱,外箱中有紙板(PACK-STC008-Q)兩塊、隔板(PACK-STC001-NH-Q)四個

<p>PACKING METHOD (包裝方式) :</p> <div style="display: flex; justify-content: space-around; align-items: flex-start;"> <div style="text-align: center;"> <p>1 PE BAG (塑膠袋) SIZE = L * W</p>  </div> <div style="text-align: center;"> <p>2 TUBE (塑膠管) SIZE = L * W * H</p>  </div> <div style="text-align: center;"> <p>3 PVC TRAY (塑膠盒) SIZE = L * W * H</p>  </div> <div style="text-align: center;"> <p>4 REEL (卷盤) SIZE = D * W</p>  </div> <div style="text-align: center;"> <p>5 BOX (內紙盒) SIZE = L * W * H</p>  </div> <div style="text-align: center;"> <p>6 INSIDE CARTON (內箱) SIZE = L * W * H</p>  </div> <div style="text-align: center;"> <p>7 OUTSIDE CARTON (外箱) SIZE = L * W * H</p>  </div> </div>	<p>PACKING METHOD CODE (包裝方式代碼) :</p> <ul style="list-style-type: none"> <input type="checkbox"/> A = 1 → 7 <input type="checkbox"/> B = 2 → 7 <input type="checkbox"/> C = 3 → 7 <input checked="" type="checkbox"/> D = (4+1) → 7 <input type="checkbox"/> E = 5 → 7 <input type="checkbox"/> F = 1 → 6 → 7 <input type="checkbox"/> G = (2+1) → 6 → 7 <input type="checkbox"/> H = 3 → 6 → 7
--	--



PACKING STANDARD

SERIES OR P/N	CIRCUITS	PACKING METHOD CODE	INNER PACKING NO.	INNER PACKING SIZE (CM)			INNER PACKING QTY	INSIDE CARTON NO.	INSIDE CARTON SIZE (CM)			PCS / INSIDE CARTON	CARTON NO.	CARTON SIZE (CM)			PCS / CARTON	G.W REF. (KG)
				L	W	H			L	W	H			L	W	H		
CI4204M*HRB-NH	4	D	PACK-CRCB192-NH-Q	-	2.4	-	1500					PACK-CTC034-NH-Q	35.0	35.0	32.0	13500		
CI4208M*HRB-NH	8	D	PACK-CRCB655-NH-Q	-	2.4	-	1500					PACK-CTC034-NH-Q	35.0	35.0	32.0	13500		
CI4210M*HRB-NH	10	D	PACK-CRCC180-NH-Q	-	3.2	-	1500					PACK-CTC034-NH-Q	35.0	35.0	32.0	10500		
CI4205M*HRC-NH	5	D	PACK-CRCB90-NH-Q	-	2.4	-	1500					PACK-CTC034-NH-Q	35.0	35.0	32.0	13500		
CI4207M*HRC-NH	7	D	PACK-CRCB81-NH-Q	-	2.4	-	1500					PACK-CTC034-NH-Q	35.0	35.0	32.0	13500		
CI4207M*HGC-NH	7	D	PACK-CRCB010-NH-Q	-	2.4	-	1500					PACK-CTC034-NH-Q	35.0	35.0	32.0	13500		
CI4208M*HRC-A-NH	8	D	PACK-CRCB129-NH-Q	-	2.4	-	1500					PACK-CTC034-NH-Q	35.0	35.0	32.0	13500		
CI4208M*HGC-A-NH	8	D	PACK-CRCB011-NH-Q	-	2.4	-	1500					PACK-CTC034-NH-Q	35.0	35.0	32.0	13500		
CI4208M*HRC-NH	8	D	PACK-CRCB129-NH-Q	-	2.4	-	1500					PACK-CTC034-NH-Q	35.0	35.0	32.0	13500		
CI4208M*HGC-NH	8	D	PACK-CRCB011-NH-Q	-	2.4	-	1500					PACK-CTC034-NH-Q	35.0	35.0	32.0	13500		
CI4210M*HRC-NH	10	D	PACK-CRCC60-NH-Q	-	3.2	-	1500					PACK-CTC034-NH-Q	35.0	35.0	32.0	10500		
CI4212M*HGC-B-NH	12	D	PACK-CRCC002-NH-Q	-	3.2	-	1500					PACK-CTC034-NH-Q	35.0	35.0	32.0	10500		
CI4212M*HRC-NH	12	D	PACK-CRCC142-NH-Q	-	3.2	-	1500					PACK-CTC034-NH-Q	35.0	35.0	32.0	10500		
CI4212M*HGC-NH	12	D	PACK-CRCC002-NH-Q	-	3.2	-	1500					PACK-CTC034-NH-Q	35.0	35.0	32.0	10500		
CI4210M*HRE-NH	10	D	PACK-CRCB431-NH-Q	-	2.4	-	1500					PACK-CTC034-NH-Q	35.0	35.0	32.0	13500		
CI4210M*HGE-NH/NH1	10	D	PACK-CRCB006-NH-Q	-	2.4	-	1500					PACK-CTC034-NH-Q	35.0	35.0	32.0	13500		
CI4212M*HRE-NH	12	D	PACK-CRCC142-NH-Q	-	3.2	-	1500					PACK-CTC034-NH-Q	35.0	35.0	32.0	10500		
CI4212M*HGE-NH	12	D	PACK-CRCC002-NH-Q	-	3.2	-	1500					PACK-CTC034-NH-Q	35.0	35.0	32.0	10500		
CI4212M*HRG-NH	12	D	PACK-CRCC140-NH-Q	-	3.2	-	1500					PACK-CTC034-NH-Q	35.0	35.0	32.0	10500		
CI4210M*HRK-NH	10	D	PACK-CRCB431-NH-Q	-	2.4	-	1500					PACK-CTC034-NH-Q	35.0	35.0	32.0	13500		
CI4210M*HGK-NH	10	D	PACK-CRCB006-NH-Q	-	2.4	-	1500					PACK-CTC034-NH-Q	35.0	35.0	32.0	13500		

注：塑膠盤先用塑膠袋 (PACK-PBC013-NH-Q不穿孔) 裝好后再裝入外箱,外箱中有紙板(PACK-STC008-Q)兩塊、隔板(PACK-STC001-NH-Q)四個

<p>PACKING METHOD (包裝方式) :</p> <div style="display: flex; justify-content: space-around;"> <div style="text-align: center;"> <p>1 PE BAG (塑膠袋) SIZE = L * W</p> </div> <div style="text-align: center;"> <p>2 TUBE (塑膠管) SIZE = L * W * H</p> </div> <div style="text-align: center;"> <p>3 PVC TRAY (塑膠盒) SIZE = L * W * H</p> </div> <div style="text-align: center;"> <p>4 REEL (卷盤) SIZE = D * W</p> </div> <div style="text-align: center;"> <p>5 BOX (內紙盒) SIZE = L * W * H</p> </div> <div style="text-align: center;"> <p>6 INSIDE CARTON (內箱) SIZE = L * W * H</p> </div> <div style="text-align: center;"> <p>7 OUTSIDE CARTON (外箱) SIZE = L * W * H</p> </div> </div>							<p>PACKING METHOD CODE (包裝方式代碼) :</p> <ul style="list-style-type: none"> <input type="checkbox"/> A = 1 → 7 <input type="checkbox"/> B = 2 → 7 <input type="checkbox"/> C = 3 → 7 <input checked="" type="checkbox"/> D = (4+1) → 7 <input type="checkbox"/> E = 5 → 7 <input type="checkbox"/> F = 1 → 6 → 7 <input type="checkbox"/> G = (2+1) → 6 → 7 <input type="checkbox"/> H = 3 → 6 → 7
---	--	--	--	--	--	--	--



PACKING STANDARD

製訂日期：2021.11.26

版 別：8

SERIES OR P/N	CIRCUITS	PACKING METHOD CODE	INNER PACKING NO.	INNER PACKING SIZE (CM)			INNER PACKING QTY	INSIDE CARTON NO.	INSIDE CARTON SIZE (CM)			PCS / INSIDE CARTON	CARTON NO.	CARTON SIZE (CM)			PCS / CARTON	G.W REF. (KG)
				L	W	H			L	W	H			L	W	H		
CI4202M*HRJ-NH	2	D	PACK-CRCA23-NH-Q	-	1.6	-	1500					PACK-CTC034-NH-Q	35.0	35.0	32.0	16500		
CI4204M*HRJ-NH	4	D	PACK-CRCB112-NH-Q	-	2.4	-	1500					PACK-CTC034-NH-Q	35.0	35.0	32.0	13500		
CI4206M*HRJ-NH	6	D	PACK-CRCB128-NH-Q	-	2.4	-	1500					PACK-CTC034-NH-Q	35.0	35.0	32.0	13500		
CI4207M*HRJ-NH	7	D	PACK-CRCB81-NH-Q	-	2.4	-	1500					PACK-CTC034-NH-Q	35.0	35.0	32.0	13500		
CI4208M*HRJ-NH	8	D	PACK-CRCB129-NH-Q	-	2.4	-	1500					PACK-CTC034-NH-Q	35.0	35.0	32.0	13500		
CI4210M*HRJ-NH	10	D	PACK-CRCC60-NH-Q	-	3.2	-	1500					PACK-CTC034-NH-Q	35.0	35.0	32.0	10500		
CI4210M*HRL-NH	10	D	PACK-CRCB431-NH-Q	-	2.4	-	1500					PACK-CTC034-NH-Q	35.0	35.0	32.0	13500		
CI4210M*HGL-NH	10	D	PACK-CRCB006-NH-Q	-	2.4	-	1500					PACK-CTC034-NH-Q	35.0	35.0	32.0	13500		
CI4202M*HRM-NH	2	D	PACK-CRCA171-NH-Q	-	1.6	-	2000					PACK-CTC034-NH-Q	35.0	35.0	32.0	22000		
CI4204M*HRN-NH	4	D	PACK-CRCB579-NH-Q	-	2.4	-	2000					PACK-CTC034-NH-Q	35.0	35.0	32.0	18000		
CI4202M*HRP/-NH	2	D	PACK-CRCA23-NH-Q	-	1.6	-	1500					PACK-CTC034-NH-Q	35.0	35.0	32.0	16500	4.244	
CI4203M*HRP/-NH	3	D	PACK-CRCA25-NH-Q	-	1.6	-	1500					PACK-CTC034-NH-Q	35.0	35.0	32.0	16500	4.568	
CI4204M*HRP/-NH	4	D	PACK-CRCB112-NH-Q	-	2.4	-	1500					PACK-CTC034-NH-Q	35.0	35.0	32.0	13500	4.369	
CI4205M*HRP/-NH	5	D	PACK-CRCB90-NH-Q	-	2.4	-	1500					PACK-CTC034-NH-Q	35.0	35.0	32.0	13500	4.626	
CI4205M*HGP-NH	5	D	PACK-CRCB008-NH-Q	-	2.4	-	1500					PACK-CTC034-NH-Q	35.0	35.0	32.0	13500	4.626	
CI4206M*HRP/-NH	6	D	PACK-CRCB128-NH-Q	-	2.4	-	1500					PACK-CTC034-NH-Q	35.0	35.0	32.0	13500	4.562	
CI4207M*HRP/-NH	7	D	PACK-CRCB81-NH-Q	-	2.4	-	1500					PACK-CTC034-NH-Q	35.0	35.0	32.0	13500	4.156	
CI4208M*HRP/-NH	8	D	PACK-CRCB129-NH-Q	-	2.4	-	1500					PACK-CTC034-NH-Q	35.0	35.0	32.0	13500	4.405	
CI4209M*HRP/-NH	9	D	PACK-CRCB160-NH-Q	-	2.4	-	1500					PACK-CTC034-NH-Q	35.0	35.0	32.0	13500	4.623	
CI4210M*HRP/-NH	10	D	PACK-CRCC60-NH-Q	-	3.2	-	1500					PACK-CTC034-NH-Q	35.0	35.0	32.0	10500	4.238	
CI4212M*HRP/-NH	12	D	PACK-CRCD135-NH-Q	-	4.4	-	1500					PACK-CTC034-NH-Q	35.0	35.0	32.0	7500		

注：塑膠盤先用塑膠袋 (PACK-PBC013-NH-Q不穿孔) 裝好后再裝入外箱,外箱中有紙板(PACK-STC008-Q)兩塊、隔板(PACK-STC001-NH-Q)四個

PACKING METHOD (包裝方式) :

1 PE BAG (塑膠袋)
SIZE = L * W

2 TUBE (塑膠管)
SIZE = L * W * H

3 PVC TRAY (塑膠盒)
SIZE = L * W * H

4 REEL (卷盤)
SIZE = D * W

5 BOX (內紙盒)
SIZE = L * W * H

6 INSIDE CARTON (內箱)
SIZE = L * W * H

7 OUTSIDE CARTON (外箱)
SIZE = L * W * H

PACKING METHOD CODE (包裝方式代碼) :

- A = 1 → 7
- B = 2 → 7
- C = 3 → 7
- D = (4+1) → 7
- E = 5 → 7
- F = 1 → 6 → 7
- G = (2+1) → 6 → 7
- H = 3 → 6 → 7

審核：Vian

製訂：白榮霞

(Q541512X,1)



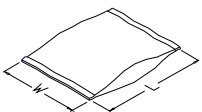
PACKING STANDARD

SERIES OR P/N	CIRCUITS	PACKING METHOD CODE	INNER PACKING NO.	INNER PACKING SIZE (CM)			INNER PACKING QTY	INSIDE CARTON NO.	INSIDE CARTON SIZE (CM)			PCS / INSIDE CARTON	CARTON NO.	CARTON SIZE (CM)			PCS / CARTON	G.W REF. (KG)
CI4204M*HRR-NH	4	D	PACK-CRCA182-NH-Q	-	1.6	-	1500					PACK-CTC034-NH-Q	35.0	35.0	32.0	16500		
CI4204M*HGR-NH	4	D	PACK-CRCA003-NH-Q	-	1.6	-	1500					PACK-CTC034-NH-Q	35.0	35.0	32.0	16500		
CI4209M*HRT-NH	9	D	PACK-CRCB160-NH-Q	-	2.4	-	1500					PACK-CTC034-NH-Q	35.0	35.0	32.0	13500		
CI4210M*HRT-NH	10	D	PACK-CRCB431-NH-Q	-	2.4	-	1500					PACK-CTC034-NH-Q	35.0	35.0	32.0	13500		
CI4204M*HRU-NH	4	D	PACK-CRCA182-NH-Q	-	1.6	-	1500					PACK-CTC034-NH-Q	35.0	35.0	32.0	16500		
CI4204M*HGU-NH	4	D	PACK-CRCA003-NH-Q	-	1.6	-	1500					PACK-CTC034-NH-Q	35.0	35.0	32.0	16500		
CI4212M*HRV-NH	12	D	PACK-CRCC142-NH-Q	-	3.2	-	1500					PACK-CTC034-NH-Q	35.0	35.0	32.0	10500		
CI4212M*HGV-NH	12	D	PACK-CRCC002-NH-Q	-	3.2	-	1500					PACK-CTC034-NH-Q	35.0	35.0	32.0	10500		
CI4210M*HRW-NH	10	D	PACK-CRCC180-NH-Q	-	3.2	-	1500					PACK-CTC034-NH-Q	35.0	35.0	32.0	10500		
CI4212M*HRW-NH	12	D	PACK-CRCC142-NH-Q	-	3.2	-	1500					PACK-CTC034-NH-Q	35.0	35.0	32.0	10500		
CI4212M*HGW-NH	12	D	PACK-CRCC002-NH-Q	-	3.2	-	1500					PACK-CTC034-NH-Q	35.0	35.0	32.0	10500		
CI4212M*HRX-NH	12	D	PACK-CRCC142-NH-Q	-	3.2	-	1500					PACK-CTC034-NH-Q	35.0	35.0	32.0	10500		
CI4212M*HGX-NH	12	D	PACK-CRCC002-NH-Q	-	3.2	-	1500					PACK-CTC034-NH-Q	35.0	35.0	32.0	10500		
CI4205M*HRY-NH	5	D	PACK-CRCB584-NH-Q	-	2.4	-	1500					PACK-CTC034-NH-Q	35.0	35.0	32.0	13500		

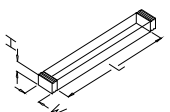
注：塑膠盤先用塑膠袋 (PACK-PBC013-NH-Q不穿孔) 裝好后再裝入外箱,外箱中有紙板(PACK-STC008-Q)兩塊、隔板(PACK-STC001-NH-Q)四個

PACKING METHOD (包裝方式) :

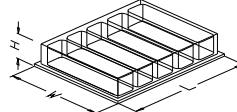
1 PE BAG (塑膠袋)
SIZE = L * W



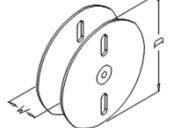
2 TUBE (塑膠管)
SIZE = L * W * H



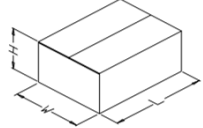
3 PVC TRAY (塑膠盒)
SIZE = L * W * H



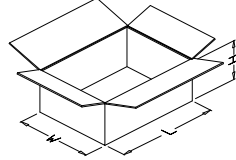
4 REEL (卷盤)
SIZE = D * W



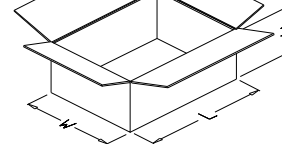
5 BOX (內紙盒)
SIZE = L * W * H



6 INSIDE CARTON (內箱)
SIZE = L * W * H



7 OUTSIDE CARTON (外箱)
SIZE = L * W * H



PACKING METHOD CODE (包裝方式代碼) :

- A = 1 → 7
- B = 2 → 7
- C = 3 → 7
- D = (4+1) → 7
- E = 5 → 7
- F = 1 → 6 → 7
- G = (2+1) → 6 → 7
- H = 3 → 6 → 7

文件履歷表

文件編號	CI15I421				
文件名稱	PACKING STANDARD				
內容變更敘述					
版本	新增加 CI42**M*HR(G)0/1/A/D/B/C/E/G/K/J/L/M/N/R/T/U/V/W/Y-NH				發行日期
8	編號 : ISOXR0182111007				2021.12.09
核准	Scott	審核	Angela	製表	白榮霞
版本					發行日期
核准		審核		製表	
版本					發行日期
核准		審核		製表	
版本					發行日期
核准		審核		製表	
版本					發行日期
核准		審核		製表	
版本					發行日期
核准		審核		製表	
版本					發行日期
核准		審核		製表	
版本					發行日期
核准		審核		製表	