

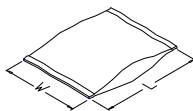
瀚萃股份有限公司
CviLux Corporation
PACKING STANDARD

製訂日期：2015/12/8

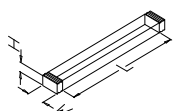
SERIES OR P/N	CIRCUITS	PACKING METHOD CODE	INNER PACKING NO.	INNER PACKING SIZE (CM)			INNER PACKING QTY	INSIDE CARTON NO.	INSIDE CARTON SIZE (CM)			PCS / INSIDE CARTON	CARTON NO.	CARTON SIZE (CM)			PCS / CARTON	G.W REF. (KG)
				L	D	H			L	W	H			L	W	H		
CF2004*U0R0/D0R0	4	D	PACK-CRCB149-C	—	1.60	—	2000	PACK-RLCB01-C	—	1.75	—	2000	PACK-CTC034-C	35.00	35.00	32.00	18000	5.74
CF2005*U0R0/D0R0	5	D	PACK-CRCA36-C	—	1.60	—	2000	PACK-RLCA01-C	—	1.75	—	2000	PACK-CTC034-C	35.00	35.00	32.00	22000	6.21
CF2006*U0R0/D0R0	6	D	PACK-CRCB112-C	—	2.40	—	2000	PACK-RLCB01-C	—	2.55	—	2000	PACK-CTC034-C	35.00	35.00	32.00	18000	7.72
CF2007*U0R0/D0R0	7	D	PACK-CRCB90-C	—	2.40	—	2000	PACK-RLCB01-C	—	2.55	—	2000	PACK-CTC034-C	35.00	35.00	32.00	18000	7.88
CF2008*U0R0/D0R0	8	D	PACK-CRCB64-C	—	2.40	—	2000	PACK-RLCB01-C	—	2.55	—	2000	PACK-CTC034-C	35.00	35.00	32.00	18000	8.04
CF2009*U0R0/D0R0	9	D	PACK-CRCB186-C	—	2.40	—	2000	PACK-RLCB01-C	—	2.55	—	2000	PACK-CTC034-C	35.00	35.00	32.00	18000	8.21
CF2010*U0R0/D0R0	10	D	PACK-CRCB29-C	—	2.40	—	2000	PACK-RLCB01-C	—	2.55	—	2000	PACK-CTC034-C	35.00	35.00	32.00	18000	8.53
CF2011*U0R0/D0R0	11	D	PACK-CRCB187-C	—	2.40	—	2000	PACK-RLCB01-C	—	2.55	—	2000	PACK-CTC034-C	35.00	35.00	32.00	18000	8.69
CF2012*U0R0/D0R0	12	D	PACK-CRCB60-C	—	2.40	—	2000	PACK-RLCB01-C	—	2.55	—	2000	PACK-CTC034-C	35.00	35.00	32.00	18000	8.93
CF2013*U0R0/D0R0	13	D	PACK-CRCB96-C	—	2.40	—	2000	PACK-RLCB01-C	—	2.55	—	2000	PACK-CTC034-C	35.00	35.00	32.00	18000	9.09
CF2014*U0R0/D0R0	14	D	PACK-CRCB81-C	—	2.40	—	2000	PACK-RLCB01-C	—	2.55	—	2000	PACK-CTC034-C	35.00	35.00	32.00	18000	9.25
CF2015*U0R0/D0R0	15	D	PACK-CRCB124-C	—	2.40	—	2000	PACK-RLCB01-C	—	2.55	—	2000	PACK-CTC034-C	35.00	35.00	32.00	18000	9.38
CF2016*U0R0/D0R0	16	D	PACK-CRCB170-C	—	2.40	—	2000	PACK-RLCB01-C	—	2.55	—	2000	PACK-CTC034-C	35.00	35.00	32.00	18000	9.57
CF2017*U0R0/D0R0	17	D	PACK-CRCB68-C	—	2.40	—	2000	PACK-RLCB01-C	—	2.55	—	2000	PACK-CTC034-C	35.00	35.00	32.00	18000	9.74
CF2018*U0R0/D0R0	18	D	PACK-CRCB28-C	—	2.40	—	2000	PACK-RLCB01-C	—	2.55	—	2000	PACK-CTC034-C	35.00	35.00	32.00	18000	9.90
CF2019*U0R0/D0R0	19	D	PACK-CRCB176-C	—	2.40	—	2000	PACK-RLCB01-C	—	2.55	—	2000	PACK-CTC034-C	35.00	35.00	32.00	18000	10.02
CF2020*U0R0/D0R0	20	D	PACK-CRCB61-C	—	2.40	—	2000	PACK-RLCB01-C	—	2.55	—	2000	PACK-CTC034-C	35.00	35.00	32.00	18000	10.22
CF2021*U0R0/D0R0	21	D	PACK-CRCB58-C	—	2.40	—	2000	PACK-RLCB01-C	—	2.55	—	2000	PACK-CTC034-C	35.00	35.00	32.00	18000	10.56
CF2022*U0R0/D0R0	22	D	PACK-CRCC19-C	—	3.20	—	2000	PACK-RLCC01-C	—	3.35	—	2000	PACK-CTC034-C	35.00	35.00	32.00	14000	8.79
CF2023*U0R0/D0R0	23	D	PACK-CRCC*-C	—	3.20	—	2000	PACK-RLCC01-C	—	3.35	—	2000	PACK-CTC034-C	35.00	35.00	32.00	14000	8.90
CF2024*U0R0/D0R0	24	D	PACK-CRCC20-C	—	3.20	—	2000	PACK-RLCC01-C	—	3.35	—	2000	PACK-CTC034-C	35.00	35.00	32.00	14000	9.00
CF2025*U0R0/D0R0	25	D	PACK-CRCC84-C	—	3.20	—	2000	PACK-RLCC01-C	—	3.35	—	2000	PACK-CTC034-C	35.00	35.00	32.00	14000	9.11
CF2026*U0R0/D0R0	26	D	PACK-CRCC21-C	—	3.20	—	2000	PACK-RLCC01-C	—	3.35	—	2000	PACK-CTC034-C	35.00	35.00	32.00	14000	9.32
CF2027*U0R0/D0R0	27	D	PACK-CRCC10-C	—	3.20	—	2000	PACK-RLCC01-C	—	3.35	—	2000	PACK-CTC034-C	35.00	35.00	32.00	14000	9.43
CF2028*U0R0/D0R0	28	D	PACK-CRCC11-C	—	3.20	—	2000	PACK-RLCC01-C	—	3.35	—	2000	PACK-CTC034-C	35.00	35.00	32.00	14000	9.55
CF2029*U0R0/D0R0	29	D	PACK-CRCC86-C	—	3.20	—	2000	PACK-RLCC01-C	—	3.35	—	2000	PACK-CTC034-C	35.00	35.00	32.00	14000	9.66
CF2030*U0R0/D0R0	30	D	PACK-CRCC12-C	—	3.20	—	2000	PACK-RLCC01-C	—	3.35	—	2000	PACK-CTC034-C	35.00	35.00	32.00	14000	9.89
CF2031*U0R0/D0R0	31	D	PACK-CRCD78-C	—	4.40	—	2000	PACK-RLCD01-C	—	4.55	—	2000	PACK-CTC034-C	35.00	35.00	32.00	10000	7.77

PACKING METHOD (包裝方式) :

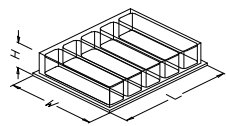
1 PVC BAG (塑膠袋)
SIZE = L * W



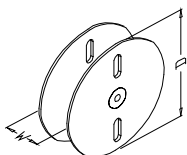
2 TUBE (塑膠管)
SIZE = L * W * H



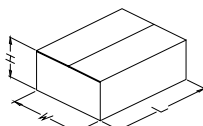
3 PVC TRAY (塑膠盒)
SIZE = L * W * H



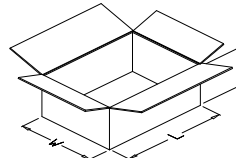
4 REEL (紙盤)
SIZE = D * W



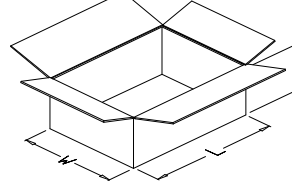
5 BOX (內紙盒)
SIZE = L * W * H



6 INSIDE CARTON (內箱)
SIZE = L * W * H

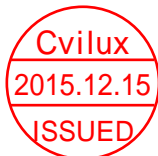


7 OUTSIDE CARTON (外箱)
SIZE = L * W * H



PACKING METHOD CODE (包裝方式代碼) :

- A = 1 → 7
- B = 2 → 7
- C = 3 → 7
- D = (4+1) → 7
- E = 5 → 7
- F = 1 → 6 → 7
- G = 2 → 6 → 7
- H = 3 → 6 → 7



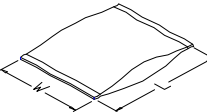
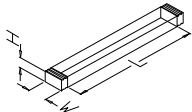
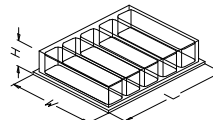
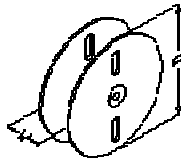
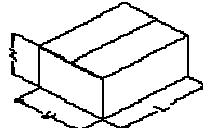
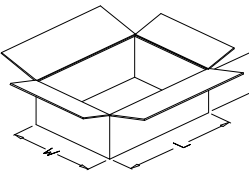
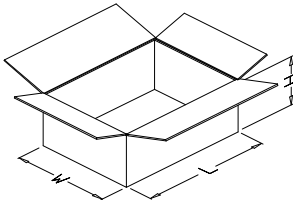
瀚萃股份有限公司
CviLux Corporation
PACKING STANDARD

製訂日期：2015/12/8

SERIES OR P/N	CIRCUITS	PACKING METHOD CODE	INNER PACKING NO.	INNER PACKING SIZE (CM)			INNER PACKING QTY	INSIDE CARTON NO.	INSIDE CARTON SIZE (CM)			PCS / INSIDE CARTON	CARTON NO.	CARTON SIZE (CM)			PCS / CARTON	G.W REF. (KG)
				L	D	W			H	L	W			H	L	W		
CF2032*U0R0/D0R0	32	D	PACK-CRCD08-C	—	4.40	—	2000	PACK-RLCD01-C	—	4.55	—	2000	PACK-CTC034-C	35.00	35.00	32.00	10000	7.86
CF2033*U0R0/D0R0	33	D	PACK-CRCD35-C	—	4.40	—	2000	PACK-RLCD01-C	—	4.55	—	2000	PACK-CTC034-C	35.00	35.00	32.00	10000	7.95
CF2034*U0R0/D0R0	34	D	PACK-CRCD39-C	—	4.40	—	2000	PACK-RLCD01-C	—	4.55	—	2000	PACK-CTC034-C	35.00	35.00	32.00	10000	8.04
CF2035*U0R0/D0R0	35	D	PACK-CRCD31-C	—	4.40	—	2000	PACK-RLCD01-C	—	4.55	—	2000	PACK-CTC034-C	35.00	35.00	32.00	10000	8.13
CF2036*U0R0/D0R0	36	D	PACK-CRCD67-C	—	4.40	—	2000	PACK-RLCD01-C	—	4.55	—	2000	PACK-CTC034-C	35.00	35.00	32.00	10000	8.31
CF2037*U0R0/D0R0	37	D	PACK-CRCD**C	—	4.40	—	2000	PACK-RLCD01-C	—	4.55	—	2000	PACK-CTC034-C	35.00	35.00	32.00	10000	8.41
CF2038*U0R0/D0R0	38	D	PACK-CRCD104-C	—	4.40	—	2000	PACK-RLCD01-C	—	4.55	—	2000	PACK-CTC034-C	35.00	35.00	32.00	10000	8.49
CF2039*U0R0/D0R0	39	D	PACK-CRCD**C	—	4.40	—	2000	PACK-RLCD01-C	—	4.55	—	2000	PACK-CTC034-C	35.00	35.00	32.00	10000	8.60
CF2040*U0R0/D0R0	40	D	PACK-CRCD32-C	—	4.40	—	2000	PACK-RLCD01-C	—	4.55	—	2000	PACK-CTC034-C	35.00	35.00	32.00	10000	8.94
CF2041*U0R0/D0R0	41	D	PACK-CRCD197-C	—	4.40	—	2000	PACK-RLCD01-C	—	4.55	—	2000	PACK-CTC034-C	35.00	35.00	32.00	10000	9.03
CF2042*U0R0/D0R0	42	D	PACK-CRCD133-C	—	4.40	—	2000	PACK-RLCD01-C	—	4.55	—	2000	PACK-CTC034-C	35.00	35.00	32.00	10000	9.12
CF2043*U0R0/D0R0	43	D	PACK-CRCD86-C	—	4.40	—	2000	PACK-RLCD01-C	—	4.55	—	2000	PACK-CTC034-C	35.00	35.00	32.00	10000	9.21
CF2044*U0R0/D0R0	44	D	PACK-CRCD184-C	—	4.40	—	2000	PACK-RLCD01-C	—	4.55	—	2000	PACK-CTC034-C	35.00	35.00	32.00	10000	9.32
CF2045*U0R0/D0R0	45	D	PACK-CRCD20-C	—	4.40	—	2000	PACK-RLCD01-C	—	4.55	—	2000	PACK-CTC034-C	35.00	35.00	32.00	10000	9.39
CF2046*U0R0/D0R0	46	D	PACK-CRCD180-C	—	4.40	—	2000	PACK-RLCD01-C	—	4.55	—	2000	PACK-CTC034-C	35.00	35.00	32.00	10000	9.48
CF2047*U0R0/D0R0	47	D	PACK-CRCD165-C	—	4.40	—	2000	PACK-RLCD01-C	—	4.55	—	2000	PACK-CTC034-C	35.00	35.00	32.00	10000	9.57
CF2048*U0R0/D0R0	48	D	PACK-CRCD175-C	—	4.40	—	2000	PACK-RLCD01-C	—	4.55	—	2000	PACK-CTC034-C	35.00	35.00	32.00	10000	9.66
CF2049*U0R0/D0R0	49	D	PACK-CRCD163-C	—	4.40	—	2000	PACK-RLCD01-C	—	4.55	—	2000	PACK-CTC034-C	35.00	35.00	32.00	10000	9.75
CF2050*U0R0/D0R0	50	D	PACK-CRCD09-C	—	4.40	—	2000	PACK-RLCD01-C	—	4.55	—	2000	PACK-CTC034-C	35.00	35.00	32.00	10000	9.84
CF2051*U0R0/D0R0	51	D	PACK-CRCE104-C	—	5.60	—	2000	PACK-RLCE01-C	—	5.75	—	2000	PACK-CTC034-C	35.00	35.00	32.00	8000	
CF2052*U0R0/D0R0	52	D	PACK-CRCE**C	—	5.60	—	2000	PACK-RLCE01-C	—	5.75	—	2000	PACK-CTC034-C	35.00	35.00	32.00	8000	
CF2053*U0R0/D0R0	53	D	PACK-CRCE67-C	—	5.60	—	2000	PACK-RLCE01-C	—	5.75	—	2000	PACK-CTC034-C	35.00	35.00	32.00	8000	
CF2054*U0R0/D0R0	54	D	PACK-CRCE62-C	—	5.60	—	2000	PACK-RLCE01-C	—	5.75	—	2000	PACK-CTC034-C	35.00	35.00	32.00	8000	
CF2055*U0R0/D0R0	55	D	PACK-CRCE80-C	—	5.60	—	2000	PACK-RLCE01-C	—	5.75	—	2000	PACK-CTC034-C	35.00	35.00	32.00	8000	

CF20***U/D0RA,CF20***U/D0RW,CF20***U/D0R*-A,CF20***U/D0R*-B,CF20***U/D0R*-C,CF20***U/D0R*-LF CF20***U/D0R0-NH 依上列相同PIN包裝.

PACKING METHOD (包裝方式) :

<p>1 PVC BAG (塑膠袋) SIZE = L * W</p> 	<p>2 TUBE (塑膠管) SIZE = L * W * H</p> 	<p>3 PVC TRAY (塑膠盒) SIZE = L * W * H</p> 	<p>4 REEL (紙盤) SIZE = D * W</p> 	<p>5 BOX (內紙盒) SIZE = L * W * H</p> 	<p>6 INSIDE CARTON (內箱) SIZE = L * W * H</p> 	<p>7 OUTSIDE CARTON (外箱) SIZE = L * W * H</p> 
--	--	--	---	---	--	---

PACKING METHOD CODE (包裝方式代碼) :

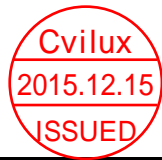
- A = 1 → 7
- B = 2 → 7
- C = 3 → 7
- D = (4+1) → 7
- E = 5 → 7
- F = 1 → 6 → 7
- G = 2 → 6 → 7
- H = 3 → 6 → 7



瀚萃股份有限公司
CviLux Corporation
PACKING STANDARD

製訂日期：2015/12/8

SERIES OR P/N	CIRCUITS	PACKING METHOD CODE	INNER PACKING NO.	INNER PACKING SIZE (CM)			INNER PACKING QTY	INSIDE CARTON NO.	INSIDE CARTON SIZE (CM)			PCS / INSIDE CARTON	CARTON NO.	CARTON SIZE (CM)			PCS / CARTON	G.W REF. (KG)
				L/D	W	H			L	W	H			L	W	H		
CF2004*U0R*/D0R*-10	4	D	PACK-CRCB186-C	—	4.40	—	2000	PACK-RLCB01-C	—	2.55	—	2000	PACK-CTC034-C	35.00	35.00	32.00	18000	8.21
CF2005*U0R*/D0R*-10	5	D	PACK-CRCB187-C	—	4.40	—	2000	PACK-RLCB01-C	—	2.55	—	2000	PACK-CTC034-C	35.00	35.00	32.00	18000	8.21
CF2006*U0R*/D0R*-10	6	D	PACK-CRCB96-C	—	4.40	—	2000	PACK-RLCB01-C	—	2.55	—	2000	PACK-CTC034-C	35.00	35.00	32.00	18000	9.09
CF2007*U0R*/D0R*-10	7	D	PACK-CRCB124-C	—	4.40	—	2000	PACK-RLCB01-C	—	2.55	—	2000	PACK-CTC034-C	35.00	35.00	32.00	18000	9.09
CF2008*U0R*/D0R*-10	8	D	PACK-CRCB170-C	—	4.40	—	2000	PACK-RLCB01-C	—	2.55	—	2000	PACK-CTC034-C	35.00	35.00	32.00	18000	9.74
CF2009*U0R*/D0R*-10	9	D	PACK-CRCB176-C	—	2.40	—	2000	PACK-RLCB01-C	—	2.55	—	2000	PACK-CTC034-C	35.00	35.00	32.00	18000	10.02
CF2010*U0R*/D0R*-10	10	D	PACK-CRCB58-C	—	4.40	—	2000	PACK-RLCB01-C	—	2.55	—	2000	PACK-CTC034-C	35.00	35.00	32.00	18000	10.56
CF2011*U0R*/D0R*-10	11	D	PACK-CRCC**C	—	3.20	—	2000	PACK-RLCC01-C	—	3.35	—	2000	PACK-CTC034-C	35.00	35.00	32.00	14000	8.90
CF2012*U0R*/D0R*-10	12	D	PACK-CRCC84-C	—	3.20	—	2000	PACK-RLCC01-C	—	3.35	—	2000	PACK-CTC034-C	35.00	35.00	32.00	14000	9.11
CF2016*U0R*/D0R*-10	16	D	PACK-CRCD35-C	—	4.40	—	2000	PACK-RLCD01-C	—	4.55	—	2000	PACK-CTC034-C	35.00	35.00	32.00	10000	
CF2020*U0R*/D0R*-10	20	D	PACK-CRCD197-C	—	4.40	—	2000	PACK-RLCD01-C	—	4.55	—	2000	PACK-CTC034-C	35.00	35.00	32.00	10000	
CF2022*U0R*/D0R*-10	22	D	PACK-CRCD20-C	—	4.40	—	2000	PACK-RLCD01-C	—	4.55	—	2000	PACK-CTC034-C	35.00	35.00	32.00	10000	
CF2024*U0R*/D0R*-10	24	D	PACK-CRCD163-C	—	4.40	—	2000	PACK-RLCD01-C	—	4.55	—	2000	PACK-CTC034-C	35.00	35.00	32.00	10000	9.75
CF2026*U0R*/D0R*-10	26	D	PACK-CRCE67-C	—	4.40	—	2000	PACK-RLCE01-C	—	5.75	—	2000	PACK-CTC034-C	35.00	35.00	32.00	8000	10.12
注：1.CF20***U0R0/D0R0-10/-NH/-LF、CF20***U0RG/D0RG-10/-NH/-LF依以上相同Pin數包裝包裝；																		
2.CF20***U0RH/D0RH-10/-NH/-LF包材卷料方向與CF20***U0R0-10/-NH/-LF包材卷料方向相反。並依以上相同Pin數包裝包裝；																		
3.塑膠盤先用塑膠袋（PACK-PBC0**C無孔）裝好後再裝入外箱,外箱中有紙板（PACK-STC016-C）兩塊、隔板（PACK-STC001-C）四個。																		
PACKING METHOD (包裝方式) :																		
<div style="display: flex; justify-content: space-between; align-items: flex-start;"> <div style="width: 15%;"> <p>1 PVC BAG (塑膠袋) SIZE = L * W</p> </div> <div style="width: 15%;"> <p>2 TUBE (塑膠管) SIZE = L * W * H</p> </div> <div style="width: 15%;"> <p>3 PVC TRAY (塑膠盒) SIZE = L * W * H</p> </div> <div style="width: 15%;"> <p>4 REEL (紙盤) SIZE = D * W</p> </div> <div style="width: 15%;"> <p>5 BOX (內紙盒) SIZE = L * W * H</p> </div> <div style="width: 15%;"> <p>6 INSIDE CARTON (內箱) SIZE = L * W * H</p> </div> <div style="width: 15%;"> <p>7 OUTSIDE CARTON (外箱) SIZE = L * W * H</p> </div> </div>																		
PACKING METHOD CODE (包裝方式代碼) : <input type="checkbox"/> A = 1 → 7 <input type="checkbox"/> B = 2 → 7 <input type="checkbox"/> C = 3 → 7 <input checked="" type="checkbox"/> D = (4+1) → 7 <input type="checkbox"/> E = 5 → 7 <input type="checkbox"/> F = 1 → 6 → 7 <input type="checkbox"/> G = 2 → 6 → 7 <input type="checkbox"/> H = 3 → 6 → 7																		



瀚萃股份有限公司
CviLux Corporation
PACKING STANDARD

製訂日期：2015/12/8

SERIES OR P/N	CIRCUITS	PACKING METHOD CODE	INNER PACKING NO.	INNER PACKING SIZE (CM)			INNER PACKING QTY	INSIDE CARTON NO.	INSIDE CARTON SIZE (CM)			PCS / INSIDE CARTON	CARTON NO.	CARTON SIZE (CM)			PCS / CARTON	G.W REF. (KG)
				L/D	W	H			L	W	H			L	W	H		
CF2004*U/D0RG-10-NH	4	D	PACK-CRCB438-C	---	2.40	---	2000	PACK-RLCB01-C	---	2.55	---	2000	PACK-CTC034-C	35.00	35.00	32.00	18000	8.21
CF2005*U/D0RG-10-NH	5	D	PACK-CRCB474-C	---	2.40	---	2000	PACK-RLCB01-C	---	2.55	---	2000	PACK-CTC034-C	35.00	35.00	32.00	18000	
CF2006*U/D0RG-10-NH	6	D	PACK-CRCB439-C	---	2.40	---	2000	PACK-RLCB01-C	---	2.55	---	2000	PACK-CTC034-C	35.00	35.00	32.00	18000	8.32
CF2008*U/D0RG-10-NH	8	D	PACK-CRCB440-C	---	2.40	---	2000	PACK-RLCB01-C	---	2.55	---	2000	PACK-CTC034-C	35.00	35.00	32.00	18000	8.43
CF2010*U/D0RG-10-NH	10	D	PACK-CRCB480-C	---	2.40	---	2000	PACK-RLCB01-C	---	2.55	---	2000	PACK-CTC034-C	35.00	35.00	32.00	18000	8.54
CF2012*U/D0RG-10-NH	12	D	PACK-CRCC248-C	---	3.20	---	2000	PACK-RLCC01-C	---	3.35	---	2000	PACK-CTC034-C	35.00	35.00	32.00	14000	7.56
CF2016*U/D0RG-10-NH	16	D	PACK-CRCD365-C	---	4.40	---	2000	PACK-RLCD01-C	---	4.55	---	2000	PACK-CTC034-C	35.00	35.00	32.00	10000	6.39
CF2022*U/D0RG-10-NH	22	D	PACK-CRCD362-C	---	4.40	---	2000	PACK-RLCD01-C	---	4.55	---	2000	PACK-CTC034-C	35.00	35.00	32.00	10000	6.52
CF2024*U/D0RG-10-NH	24	D	PACK-CRCD341-C	---	4.40	---	2000	PACK-RLCD01-C	---	4.55	---	2000	PACK-CTC034-C	35.00	35.00	32.00	10000	6.83
CF2026*U/D0RG-10-NH	26	D	PACK-CRCD361-C	---	4.40	---	2000	PACK-RLCD01-C	---	4.55	---	2000	PACK-CTC034-C	35.00	35.00	32.00	10000	7.02
CF2028*U/D0RG-10-NH	28	D	PACK-CRCD359-C	---	4.40	---	2000	PACK-RLCD01-C	---	4.55	---	2000	PACK-CTC034-C	35.00	35.00	32.00	10000	
CF2006*U0RG-NH	6	D	PACK-CRCB476-C	---	2.40	---	2000	PACK-RLCB01-C	---	2.55	---	2000	PACK-CTC034-C	35.00	35.00	32.00	18000	8.84
CF2008*U0RG-NH	8	D	PACK-CRCB478-C	---	2.40	---	2000	PACK-RLCB01-C	---	2.55	---	2000	PACK-CTC034-C	35.00	35.00	32.00	18000	
CF2020*U0RG-NH	20	D	PACK-CRCB477-C	---	2.40	---	2000	PACK-RLCB01-C	---	2.55	---	2000	PACK-CTC034-C	35.00	35.00	32.00	18000	
CF2030*U0RG-NH	30	D	PACK-CRCC250-C	---	3.20	---	2000	PACK-RLCC01-C	---	3.35	---	2000	PACK-CTC034-C	35.00	35.00	32.00	14000	
CF2006*D/U0RT-NH	6	D	PACK-CRCB479-C	---	2.40	---	2000	PACK-RLCB01-C	---	2.55	---	2000	PACK-CTC034-C	35.00	35.00	32.00	18000	8.99

PACKING METHOD (包裝方式) :

1 PVC BAG
(塑膠袋)
SIZE = L * W

2 TUBE
(塑膠管)
SIZE = L * W * H

3 PVC TRAY
(塑膠盒)
SIZE = L * W * H

4 REEL
(紙盤)
SIZE = D * W

5 BOX
(內紙盒)
SIZE = L * W * H

6 INSIDE CARTON
(內箱)
SIZE = L * W * H

7 OUTSIDE CARTON
(外箱)
SIZE = L * W * H

PACKING METHOD CODE (包裝方式代碼) :

- A = 1 → 7
- B = 2 → 7
- C = 3 → 7
- D = (4+1) → 7
- E = 5 → 7
- F = 1 → 6 → 7
- G = 2 → 6 → 7
- H = 3 → 6 → 7

審核：Qjje

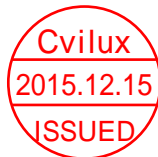
製訂：周燕妮

(Q541512T,3)

編號：ISOXR0181512008

文件編號：CI15F202 (5of 5)

版 別：26



瀚萃股份有限公司

CviLux Corporation

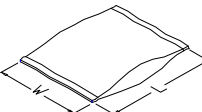
PACKING STANDARD

製訂日期：2015/12/8

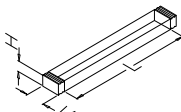
SERIES OR P/N	CIRCUITS	PACKING METHOD CODE	INNER PACKING NO.	INNER PACKING SIZE (CM)			INNER PACKING QTY	INSIDE CARTON NO.	INSIDE CARTON SIZE (CM)			PCS / INSIDE CARTON	CARTON NO.	CARTON SIZE (CM)			PCS / CARTON	G.W REF. (KG)
				L/D	W	H			L	W	H			L	W	H		
CF2010*D0RG-NH-TS	10	D	PACK-CRCB437-C	—	2.40	—	2000	PACK-RLCB01-C	—	2.55	—	2000	PACK-CTC034-C	35.00	35.00	29.00	18000	

PACKING METHOD (包裝方式):

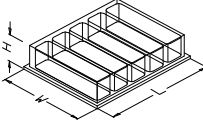
1 PVC BAG (塑膠袋)
SIZE = L * W



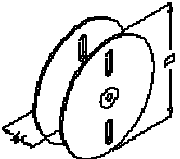
2 TUBE (塑膠管)
SIZE = L * W * H



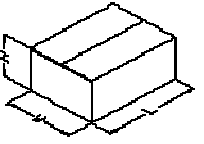
3 PVC TRAY (塑膠盒)
SIZE = L * W * H



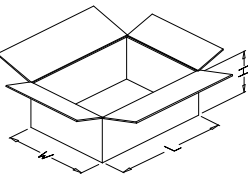
4 REEL (紙盤)
SIZE = D * W



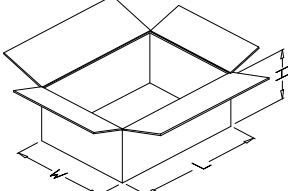
5 BOX (內紙盒)
SIZE = L * W * H



6 INSIDE CARTON (內箱)
SIZE = L * W * H



7 OUTSIDE CARTON (外箱)
SIZE = L * W * H



PACKING METHOD CODE (包裝方式代碼):

- A = 1 → 7
- B = 2 → 7
- C = 3 → 7
- D = (4+1) → 7
- E = 5 → 7
- F = 1 → 6 → 7
- G = 2 → 6 → 7
- H = 3 → 6 → 7

審核：Qijie

製訂：周燕妮

(Q541512T,3)

文件履歷表

文件編號	CI15F202				
文件名稱	PACKING STANDARD				
內容變更敘述					
版本	新增 CF2010*DORG-NH-TS				發行日期
25	簽呈編號：XQMS021500180				2015.10.12
核准	Jackal	審核	Mavis	製表	周燕妮
版本	新增 CF20***DORG-10-NH 料號				發行日期
26	簽呈編號：ISOXR0181512008				2015.12.10
核准	Jackal	審核	Mavis	製表	周燕妮
版本					發行日期
核准		審核		製表	
版本					發行日期
核准		審核		製表	
版本					發行日期
核准		審核		製表	
版本					發行日期
核准		審核		製表	
版本					發行日期
核准		審核		製表	