

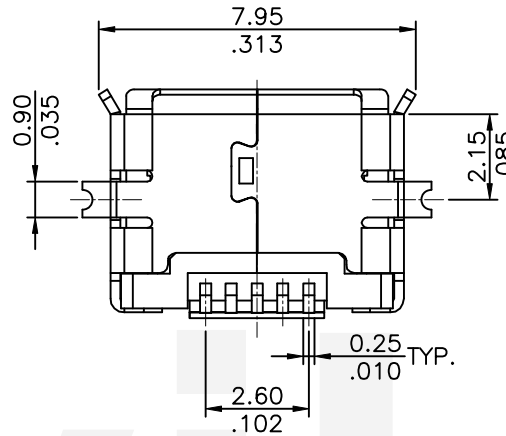
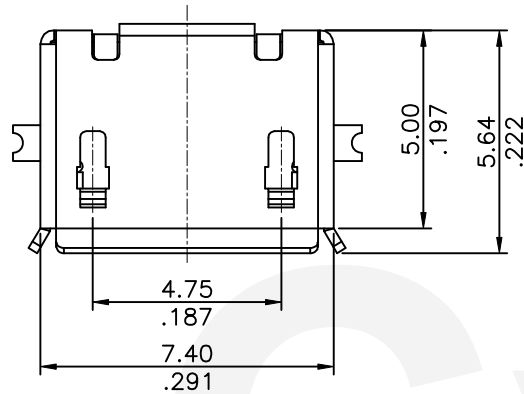
Notes :

- * Insulation: HI-TEMP PLASTIC UL 94V-0
- * Contacts: Copper Alloy
- * Shell: Copper Alloy With Tin Plating

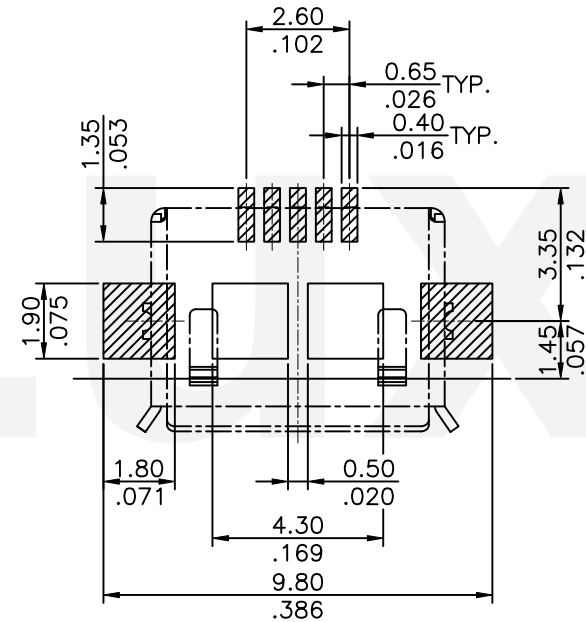
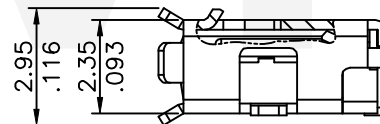
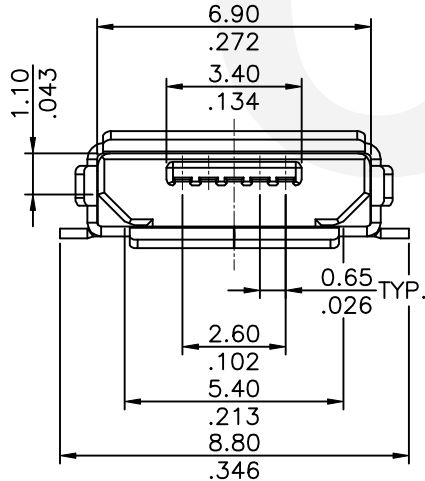
Ordering Code:

CU09 S 2 M 1 5 C 0
 ① ② ③ ④ ⑤ ⑥ ⑦ ⑧

- ① Series No.
- ② S= Socket
- ③ Plating option: 2= Gold flash plated over 1.27μm(50μ") Nickel
- ④ Tail style: M= SMT Type
- ⑤ Insulator Color: 1= Black
- ⑥ No of Circuits: 5= 5 Pin
- ⑦ Type: C= Micro USB 5 Pin Type-AB
- ⑧ Option: 0= Standard



Back View




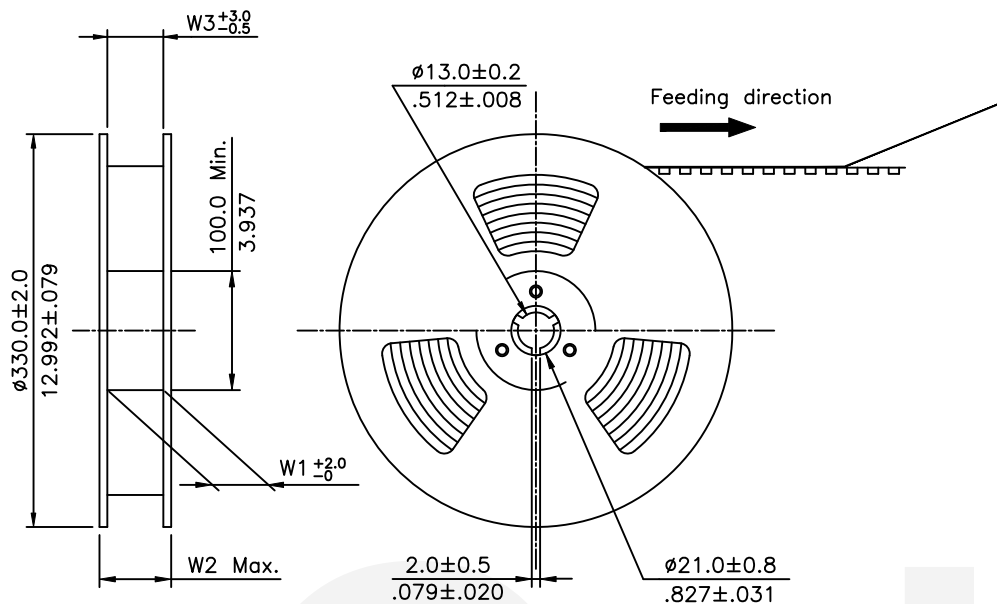
Recommended P.C. Board Layout
 TOP VIEW ±0.05

Lead Free Process

RoHS Compliant

CVILUX
 2021.12.30
 ISSUED

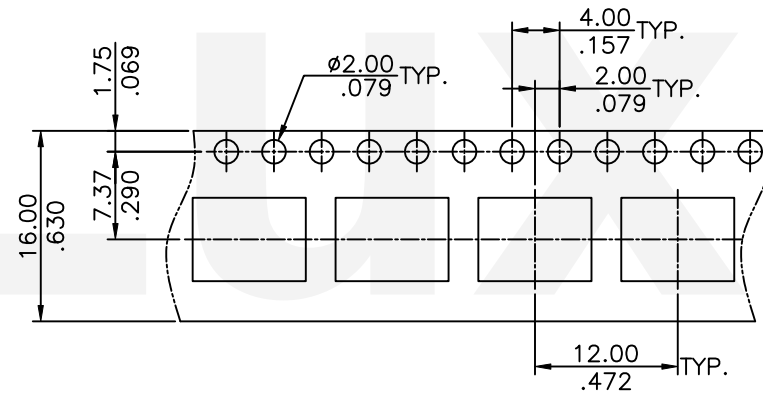
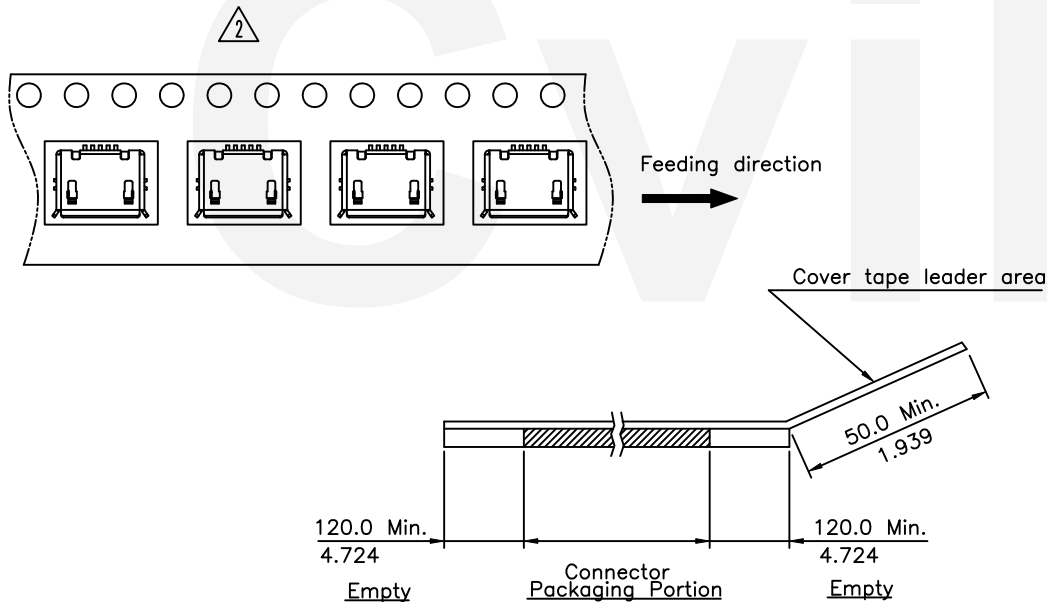
4					DATE	UNIT: mm / inch	TITLE: MICRO USB 5 PIN SMT BOARD MOUNT CONNECTOR (AB TYPE)	 瀚荃股份有限公司 CviLux Corporation
3	Karen	12/27-21'	ECNT121320/ECRT121093	DRAWN BY:	Karen	12/27-21'	TOLERANCE UNLESS OTHERWISE SPECIFIED	
2	Karen	2/01-16'	ECNT116016/ECRT116006	ENGINEER:	Sun	12/29-21'	.X ± 0.30/.012 X' ± 3'	MATERIAL:
1	Karen	7/18-15'	ECNT115150/ECRT115051	CHECKED BY:	Eisley	12/30-21'	.XX ± 0.20/.008 X' ±	FINISH:
SYM	NAME	DATE	REVISIONS	APPROVED BY:	Eisley	12/30-21'	.XXX ± 0.10/.004 .XX' ±	DRAWING NO. CU0904SD PART NO. CU09S2M15C0
								SCALE 5 / 1 SHEET 1 OF 2



NOTE :

- * Reel Material : HIPS
- △3 * Carrier Material : Conductive Polystyrene Alloy
- * Cover Tape Material : Polyester
- * Cover Tape Peel Strength : 0.1N – 1.3N
- * Carrier camber is within 1mm in 250mm
- * All dimensions meet EIA-481-B requirements.
- * Quantity : 1000 PCS/Reel

Dimension			Packing (Reel/Cartron)
W1	W2	W3	
16.5(.650)	22.5(.886)	16.5(.650)	10



△2 WIDTH : 16 mm Carrier.

RoHS Compliant

SYM	NAME	DATE	REVISIONS	APPROVED BY:	DATE	UNIT: mm / inch	TITLE: MICRO USB 5 PIN SMT BOARD MOUNT CONNECTOR (AB TYPE)	SCALE	SHEET 2 OF 2
△4									
△3	Karen	12/27-21'	ECNT121320/ECRT121093	DRAWN BY: Karen	12/27-21'	TOLERANCE UNLESS OTHERWISE SPECIFIED	MATERIAL: FINISH:	DRAWING NO. CU0904SD	PART NO. CU09S2M15C0
△2	Karen	2/01-16'	ECNT116016/ECRT116006	ENGINEER: Sun	12/29-21'	.X ± 0.30/.012 X' ± 3'		SCALE	
△1	Karen	7/18-15'	ECNT115150/ECRT115051	CHECKED BY: Eisley	12/30-21'	.XX ± 0.20/.008 .X' ±			
				APPROVED BY: Eisley	12/30-21'	.XXX ± 0.10/.004 .XX' ±			

CVILUX
 2021.12.30
 ISSUED

瀚荃股份有限公司
 CviLux Corporation